



itl boulder

THE LIGHT CENTER OF THE INDUSTRY SINCE 1955

INDEPENDENT TESTING LABORATORIES, INC.
3386 LONGHORN ROAD, BOULDER, CO 80302 USA

PHONE: (303)442-1255 • FAX: (303)449-5274 • E-MAIL: itl@itlboulder.com • WEBSITE: www.itlboulder.com

REPORT NUMBER: ITL59970

DATE: 02/22/08

PREPARED FOR: GVA LIGHTING, INC.

CATALOG NUMBER: STR9-300-CM-6-2.5W-5100K-NB

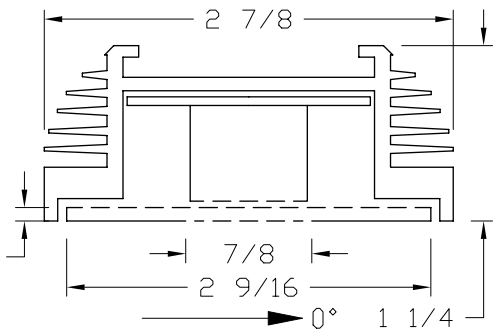
LUMINAIRE: EXTRUDED FINNED METAL HOUSING WITH FLAT METAL END CAPS, ONE WHITE CIRCUIT BOARD WITH SIX LEDS AND OPTICAL ASSEMBLIES, CLEAR FLAT GLASS LENS WITH BLACK PAINTED PERIMETER. EXACT INTERIOR PROPERTIES UNKNOWN AS THIS IS A SEALED UNIT.

LAMPS: SIX 2.5-WATT WHITE LIGHT EMITTING DIODES (LEDS), CLEAR PRISMATIC LENS IN WHITE PLASTIC FRAME BELOW EACH LED, VERTICAL BASE-UP POSITION.

TOTAL INPUT WATTS = 19.4 AT 120.0 VOLTS

LED DRIVER: GVA LIGHTING LP1025-24 24V 1.04A
25W DC POWER SUPPLY

NOTE: DATA SHOWN IS ABSOLUTE FOR THE SAMPLE PROVIDED AT RATED INPUT VOLTAGE (120VAC) TO THE POWER SUPPLY. A 6 FOOT POWER CORD EXTENDS FROM THE POWER SUPPLY TO THE LED ASSEMBLY. LAMP INFORMATION PROVIDED BY CLIENT.



CANDELA DISTRIBUTION

	0.0	22.5	45.0	67.5	90.0	FLUX
0	6480	6480	6480	6480	6480	
5	4530	4539	4549	4568	4614	325
15	271	301	347	325	286	113
25	38	39	40	42	44	20
35	17	17	18	19	20	11
45	9	9	10	11	12	7
55	6	6	6	7	8	5
65	3	3	3	4	5	3
75	0	0	0	1	2	0
85	0	0	0	0	0	0
90	0	0	0	0	0	0

ZONAL LUMEN SUMMARY

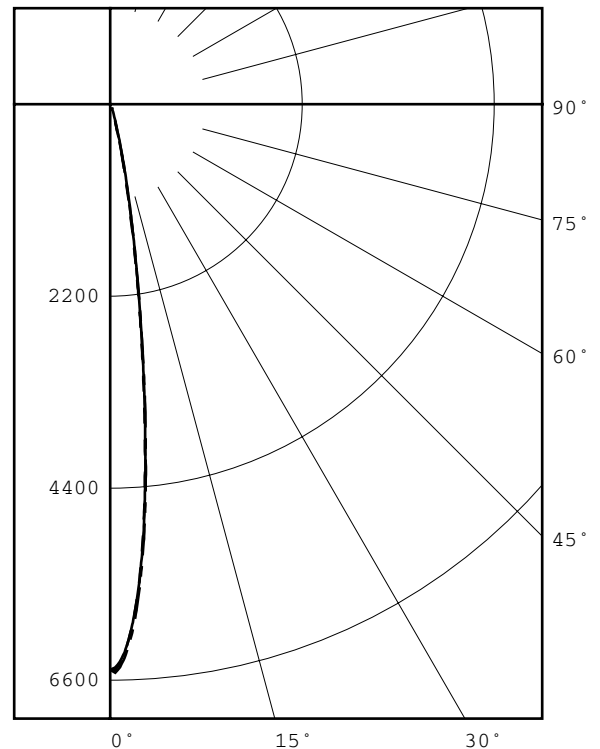
ZONE	LUMENS	%FIXT
0- 30	459	94.0
0- 40	471	96.3
0- 60	485	99.1
0- 90	489	100.0
90-180	0	0.0
0-180	489	100.0

CIE TYPE - DIRECT

PLANE : 0-DEG 90-DEG
SPACING CRITERIA : 0.2 0.2
LUMINOUS LENGTH : 0.875 10.750

LUMINANCE DATA IN CANDELA/SQ M

ANGLE IN DEG	AVERAGE 0-DEG	AVERAGE 45-DEG	AVERAGE 90-DEG
45	2097.	2330.	2797.
55	1724.	1724.	2298.
65	1170.	1170.	1950.
75	0.	0.	1273.
85	0.	0.	0.



LEGEND:
0-deg: - - - - -
45-deg: = = = = =
90-deg: - - - - -

Checked N. WHITE
Approved R. BERGER



INDEPENDENT TESTING LABORATORIES, INC.
 3386 LONGHORN ROAD, BOULDER, CO 80302 USA

PHONE: (303)442-1255 • FAX: (303)449-5274 • E-MAIL: itl@itlboulder.com • WEBSITE: www.itlboulder.com

REPORT NUMBER: ITL59970

DATE: 02/22/08

PREPARED FOR: GVA LIGHTING, INC.

CANDELA DISTRIBUTION
 LATERAL ANGLE

	0.0	22.5	45.0	67.5	90.0
0.0	6480	6480	6480	6480	6480
0.5	6483	6472	6456	6451	6516
1.0	6409	6406	6390	6384	6452
1.5	6297	6291	6285	6278	6346
2.0	6126	6133	6133	6134	6194
2.5	5950	5953	5946	5957	6017
3.0	5719	5729	5729	5738	5796
3.5	5475	5477	5482	5496	5545
4.0	5183	5187	5197	5211	5256
4.5	4862	4882	4895	4904	4961
5.0	4530	4539	4549	4568	4614
5.5	4172	4184	4202	4216	4260
6.0	3801	3824	3843	3861	3895
6.5	3451	3467	3500	3499	3551
7.0	3089	3115	3157	3154	3194
7.5	2763	2788	2816	2830	2853
8.0	2446	2469	2503	2517	2525
8.5	2161	2181	2219	2222	2228
9.0	1883	1914	1961	1952	1959
9.5	1645	1679	1722	1709	1714
10.0	1423	1465	1514	1497	1498
10.5	1228	1278	1323	1301	1305
11.0	1055	1107	1151	1126	1122
11.5	906	955	999	973	967
12.0	769	818	863	839	826
12.5	649	699	749	718	701
13.0	546	594	642	613	586
13.5	460	502	551	525	491
14.0	386	424	471	445	410
14.5	322	357	405	381	342
15.0	271	301	347	325	286
15.5	228	256	300	278	242
16.0	194	218	259	238	206
16.5	167	187	226	205	177
17.0	145	161	196	178	153
17.5	127	141	172	155	135
18.0	112	124	151	137	120
18.5	100	110	134	121	108
19.0	90	98	119	108	98
19.5	82	89	106	97	89
20.0	76	80	95	88	82
22.5	53	54	59	59	58
25.0	38	39	40	42	44
27.5	31	30	31	33	34
30.0	25	25	25	27	28
32.5	21	21	21	23	24
35.0	17	17	18	19	20
37.5	14	15	15	16	17
40.0	12	13	13	14	15
42.5	10	11	11	13	12
45.0	9	9	10	11	12
47.5	8	8	9	10	10
50.0	7	7	7	9	9
52.5	6	6	7	8	8
55.0	6	6	6	7	8
57.5	5	5	5	6	7
60.0	4	4	5	5	7
62.5	3	4	4	5	6
65.0	3	3	3	4	5
67.5	2	2	2	3	4
70.0	2	2	2	3	3
72.5	1	1	1	2	2
75.0	0	0	0	1	2
77.5	0	0	0	1	1
80.0	0	0	0	0	0



INDEPENDENT TESTING LABORATORIES, INC.
3386 LONGHORN ROAD, BOULDER, CO 80302 USA

PHONE: (303)442-1255 • FAX: (303)449-5274 • E-MAIL: itl@itlboulder.com • WEBSITE: www.itlboulder.com

REPORT NUMBER: ITL59970

DATE: 02/22/08

PREPARED FOR: GVA LIGHTING, INC.

CANDELA DISTRIBUTION
LATERAL ANGLE

	0.0	22.5	45.0	67.5	90.0
82.5	0	0	0	0	0
85.0	0	0	0	0	0
87.5	0	0	0	0	0
90.0	0	0	0	0	0



INDEPENDENT TESTING LABORATORIES, INC.
 3386 LONGHORN ROAD, BOULDER, CO 80302 USA

PHONE: (303)442-1255 • FAX: (303)449-5274 • E-MAIL: itl@itlboulder.com • WEBSITE: www.itlboulder.com

REPORT NUMBER: ITL59970

DATE: 02/22/08

PREPARED FOR: GVA LIGHTING, INC.

COEFFICIENTS OF UTILIZATION - ZONAL CAVITY METHOD

EFFECTIVE FLOOR CAVITY REFLECTANCE 0.20

RC	80				70				50			30			10			0	
	RW	70	50	30	10	70	50	30	10	50	30	10	50	30	10	50	30	10	0
0	119	119	119	119	117	117	117	117	111	111	111	111	107	107	107	102	102	102	100
1	116	114	112	111	114	112	110	109	108	107	106	104	103	103	101	110	100	100	98
2	113	110	107	105	111	108	106	104	105	103	101	102	101	99	99	98	97	97	96
3	110	106	103	100	108	105	102	100	102	100	98	100	98	97	98	97	95	94	94
4	107	103	100	97	106	102	99	97	100	98	96	98	96	94	97	95	93	92	92
5	105	100	97	94	104	100	96	94	98	95	93	97	94	93	95	93	92	91	91
6	103	98	95	92	102	97	94	92	96	94	91	95	93	91	94	92	90	90	90
7	101	96	93	91	100	96	93	90	95	92	90	94	91	90	93	91	89	88	88
8	100	94	91	89	99	94	91	89	93	90	89	92	90	88	92	90	88	87	87
9	98	93	90	88	97	93	90	88	92	89	87	91	89	87	91	88	87	86	86
10	97	92	88	86	96	91	88	86	91	88	86	90	88	86	90	87	86	85	85

ALL CANDELA, LUMENS, LUMINANCE, AND VCP VALUES IN THIS REPORT ARE BASED ON ABSOLUTE PHOTOMETRY. THE COEFFICIENT OF UTILIZATION VALUES ARE BASED ON THE TOTAL ABSOLUTE LUMEN OUTPUT OF THIS LUMINAIRE SAMPLE.