



itl boulder

THE LIGHT CENTER OF THE INDUSTRY SINCE 1955

INDEPENDENT TESTING LABORATORIES, INC.
3386 LONGHORN ROAD, BOULDER, CO 80302 USA

PHONE: (303)442-1255 • FAX: (303)449-5274 • E-MAIL: itl@itlboulder.com • WEBSITE: www.itlboulder.com
REPORT NUMBER: ITL59977 DATE: 02/25/08

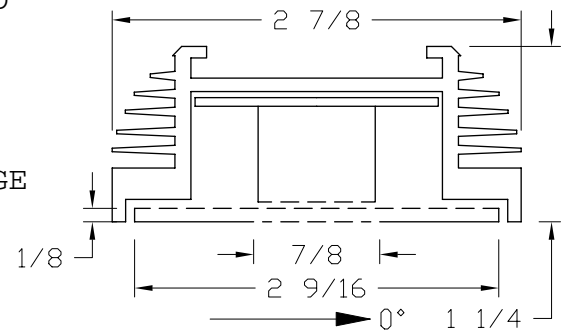
PREPARED FOR: GVA LIGHTING, INC.

CATALOG NUMBER: STR9-1200-CM-6-2.5W-5100K-EB

LUMINAIRE: EXTRUDED FINNED METAL HOUSING WITH FLAT METAL END CAPS, ONE WHITE CIRCUIT BOARD WITH TWENTY-FOUR LEDS AND OPTICAL ASSEMBLIES, CLEAR FLAT GLASS LENS WITH BLACK PAINTED PERIMETER. EXACT INTERIOR PROPERTIES UNKNOWN AS THIS IS A SEALED UNIT.

LAMP: TWENTY-FOUR 2.5-WATT WHITE LIGHT EMITTING DIODES (LEDS), CLEAR MICRO-PRISMATIC LENS WITH LINEAR PRISMATIC BOTTOM IN WHITE PLASTIC FRAME BELOW EACH LED, LINEAR PRISMS PERPENDICULAR TO LENGTH OF HOUSING, VERTICAL BASE-UP POSITION.

NOTE: THIS REPORT WAS PRORATED FROM ITL TEST NUMBER 59970, WHICH WAS A TEST OF A 1 FOOT LONG LUMINAIRE CONTAINING SIX LED'S SPACED 49.5mm APART. THIS PRORATED DATA IS INTENDED TO REPRESENT A 4 FOOT LONG LUMINAIRE CONTAINING TWENTY-FOUR LED'S SPACED 49.5mm APART. ACTUAL PERFORMANCE MAY VARY. THE DATA USED TO GENERATE THIS PRORATED REPORT IS ABSOLUTE FOR THE SAMPLE PROVIDED AT RATED INPUT VOLTAGE (120VAC) TO THE POWER SUPPLY. LAMP INFORMATION PROVIDED BY CLIENT.

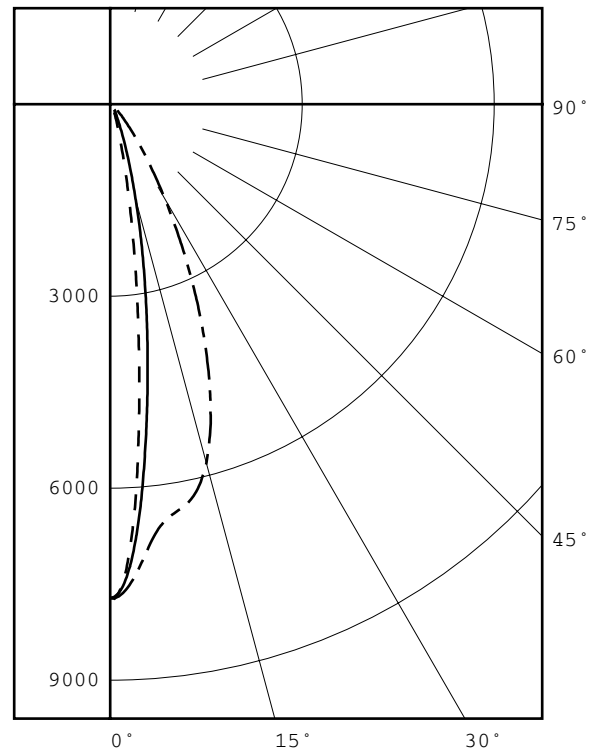


CANDELA DISTRIBUTION						FLUX
0.0	22.5	45.0	67.5	90.0		
0	7716	7716	7716	7716	7716	
5	5116	5324	5896	6600	6940	493
15	664	816	1536	3696	5804	646
25	168	188	320	1228	2996	389
35	88	92	120	328	884	169
45	52	60	72	120	232	78
55	36	40	52	64	80	48
65	24	24	32	36	48	31
75	8	8	12	16	24	14
85	0	0	0	0	4	1
90	0	0	0	0	0	

ZONAL LUMEN SUMMARY		
ZONE	LUMENS	%FIXT
0- 30	1529	81.6
0- 40	1698	90.7
0- 60	1826	97.5
0- 90	1872	100.0
90-180	0	0.0
0-180	1872	100.0

CIE TYPE - DIRECT
PLANE : 0-DEG 90-DEG
SPACING CRITERIA : 0.2 0.7
LUMINOUS LENGTH : 0.875 45.625

LUMINANCE DATA IN CANDELA/SQ M			
ANGLE IN DEG	AVERAGE 0-DEG	AVERAGE 45-DEG	AVERAGE 90-DEG
45	2855.	3953.	12738.
55	2437.	3520.	5415.
65	2205.	2940.	4410.
75	1200.	1800.	3600.
85	0.	0.	1782.



LEGEND:
0-deg: - - - - -
45-deg: _____
90-deg: - . - . - .

Checked *R. BERGIN*
Approved *R. BERGER*



itl boulder

THE LIGHT CENTER OF THE INDUSTRY SINCE 1955

INDEPENDENT TESTING LABORATORIES, INC.
3386 LONGHORN ROAD, BOULDER, CO 80302 USA

PHONE: (303)442-1255 • FAX: (303)449-5274 • E-MAIL: itl@itlboulder.com • WEBSITE: www.itlboulder.com

REPORT NUMBER: ITL59977

DATE: 02/25/08

PREPARED FOR: GVA LIGHTING, INC.

CANDELA DISTRIBUTION
LATERAL ANGLE

	0.0	22.5	45.0	67.5	90.0
0.0	7716	7716	7716	7716	7716
0.5	7724	7708	7696	7708	7720
1.0	7636	7632	7640	7668	7692
1.5	7488	7492	7540	7604	7640
2.0	7268	7296	7392	7508	7572
2.5	6984	7048	7212	7396	7484
3.0	6664	6744	6988	7260	7384
3.5	6316	6424	6740	7108	7272
4.0	5936	6068	6476	6940	7164
4.5	5540	5708	6192	6776	7052
5.0	5116	5324	5896	6600	6940
5.5	4736	4952	5596	6392	6840
6.0	4348	4588	5304	6268	6752
6.5	3984	4244	5024	6116	6676
7.0	3640	3904	4740	5964	6616
7.5	3324	3580	4468	5828	6560
8.0	3004	3284	4204	5692	6524
8.5	2728	3000	3952	5560	6492
9.0	2460	2736	3712	5432	6464
9.5	2216	2492	3480	5304	6436
10.0	1988	2260	3260	5176	6412
10.5	1784	2052	3044	5040	6384
11.0	1592	1852	2836	4904	6348
11.5	1420	1672	2648	4764	6304
12.0	1276	1504	2460	4620	6260
12.5	1140	1356	2284	4472	6204
13.0	1016	1220	2116	4316	6140
13.5	912	1100	1956	4164	6068
14.0	820	996	1808	4008	5984
14.5	740	900	1668	3856	5900
15.0	664	816	1536	3696	5804
15.5	608	740	1416	3540	5696
16.0	548	668	1296	3384	5580
16.5	500	612	1196	3232	5464
17.0	460	560	1096	3080	5344
17.5	420	512	1008	2932	5220
18.0	388	468	924	2788	5076
18.5	360	432	852	2652	4944
19.0	332	400	780	2512	4800
19.5	312	372	720	2384	4660
20.0	288	344	664	2252	4508
22.5	216	248	452	1684	3748
25.0	168	188	320	1228	2996
27.5	140	152	236	884	2304
30.0	116	128	184	632	1716
32.5	100	108	148	452	1244
35.0	88	92	120	328	884
37.5	76	84	104	244	628
40.0	68	72	92	188	444
42.5	60	64	80	148	316
45.0	52	60	72	120	232
47.5	48	52	68	100	168
50.0	44	48	60	88	128
52.5	40	44	56	76	100
55.0	36	40	52	64	80
57.5	32	36	48	56	68
60.0	32	32	40	52	60
62.5	28	28	36	44	52
65.0	24	24	32	36	48
67.5	20	20	24	32	40
70.0	16	16	20	28	36
72.5	12	12	16	24	32
75.0	8	8	12	16	24
77.5	4	4	8	12	16
80.0	4	4	4	8	12



INDEPENDENT TESTING LABORATORIES, INC.
3386 LONGHORN ROAD, BOULDER, CO 80302 USA

PHONE: (303)442-1255 • FAX: (303)449-5274 • E-MAIL: itl@itlboulder.com • WEBSITE: www.itlboulder.com

REPORT NUMBER: ITL59977

DATE: 02/25/08

PREPARED FOR: GVA LIGHTING, INC.

	CANDELA DISTRIBUTION				
	LATERAL ANGLE				
	0.0	22.5	45.0	67.5	90.0
82.5	0	0	0	4	8
85.0	0	0	0	0	4
87.5	0	0	0	0	0
90.0	0	0	0	0	0



INDEPENDENT TESTING LABORATORIES, INC.
 3386 LONGHORN ROAD, BOULDER, CO 80302 USA

PHONE: (303)442-1255 • FAX: (303)449-5274 • E-MAIL: itl@itlboulder.com • WEBSITE: www.itlboulder.com

REPORT NUMBER: ITL59977

DATE: 02/25/08

PREPARED FOR: GVA LIGHTING, INC.

COEFFICIENTS OF UTILIZATION - ZONAL CAVITY METHOD

EFFECTIVE FLOOR CAVITY REFLECTANCE 0.20

RC	80				70				50			30			10			0	
	RW	70	50	30	10	70	50	30	10	50	30	10	50	30	10	50	30	10	0
0	119	119	119	119	116	116	116	116	111	111	111	111	106	106	106	102	102	102	100
1	114	111	110	91	107	112	109	107	105	105	104	102	102	100	99	98	97	96	94
2	109	105	101	98	107	103	103	100	97	100	97	95	97	95	93	94	92	91	89
3	104	99	94	91	103	97	93	90	95	91	89	92	90	87	90	88	86	84	84
4	100	93	89	85	98	92	88	84	90	86	83	88	85	82	87	84	82	80	80
5	96	89	84	80	95	88	83	80	86	82	79	85	81	78	83	80	78	76	76
6	92	85	80	76	91	84	79	76	83	78	75	81	78	75	80	77	74	73	73
7	89	81	76	72	88	80	76	72	79	75	72	78	74	71	77	74	71	70	70
8	86	78	73	69	85	77	72	69	76	72	69	75	71	69	74	71	68	67	67
9	83	75	70	66	82	74	70	66	73	69	66	73	69	66	72	68	66	65	65
10	80	72	67	64	79	72	67	64	71	67	64	70	66	63	70	66	63	62	62

ALL CANDELA, LUMENS, LUMINANCE, AND VCP VALUES IN THIS REPORT ARE BASED ON ABSOLUTE PHOTOMETRY. THE COEFFICIENT OF UTILIZATION VALUES ARE BASED ON THE TOTAL ABSOLUTE LUMEN OUTPUT OF THIS LUMINAIRE SAMPLE.