



itl boulder

THE LIGHT CENTER OF THE INDUSTRY SINCE 1955

INDEPENDENT TESTING LABORATORIES, INC.
3386 LONGHORN ROAD, BOULDER, CO 80302 USA

PHONE: (303)442-1255 • FAX: (303)449-5274 • E-MAIL: itl@itlboulder.com • WEBSITE: www.itlboulder.com

REPORT NUMBER: ITL59975

DATE: 02/25/08

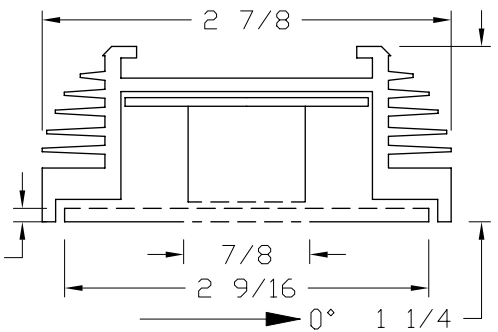
PREPARED FOR: GVA LIGHTING, INC.

CATALOG NUMBER: STR9-1200-CM-6-2.5W-5100K-MB

LUMINAIRE: EXTRUDED FINNED METAL HOUSING WITH FLAT METAL END CAPS, ONE WHITE CIRCUIT BOARD WITH TWENTY-FOUR LEDS AND OPTICAL ASSEMBLIES, CLEAR FLAT GLASS LENS WITH BLACK PAINTED PERIMETER. EXACT INTERIOR PROPERTIES UNKNOWN AS THIS IS A SEALED UNIT.

LAMP: TWENTY-FOUR 2.5-WATT WHITE LIGHT EMITTING DIODES (LEDS), CLEAR MICRO-PRISMATIC LENS IN WHITE PLASTIC FRAME BELOW EACH LED, VERTICAL BASE-UP POSITION.

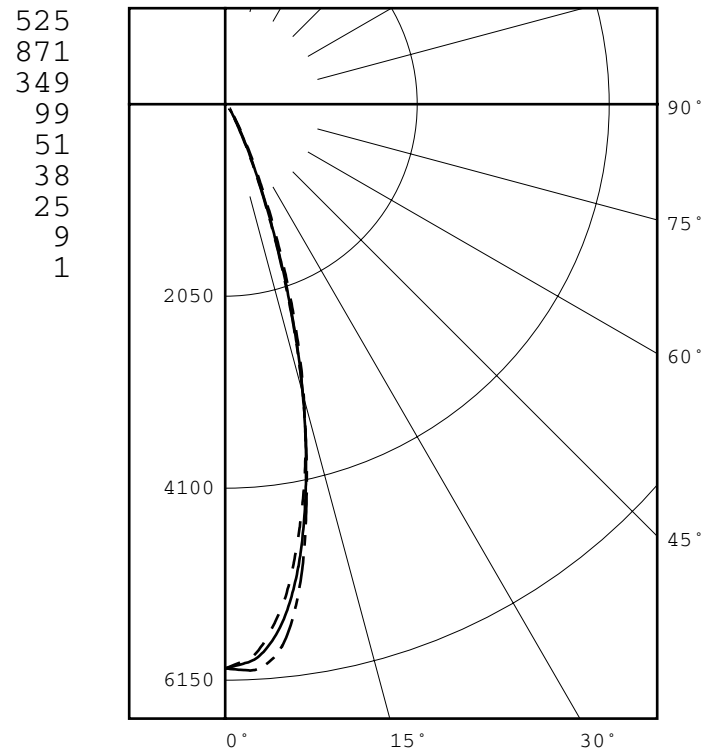
NOTE: THIS REPORT WAS PRORATED FROM ITL TEST NUMBER 59970, WHICH WAS A TEST OF A 1 FOOT LONG LUMINAIRE CONTAINING SIX LED'S SPACED 49.5mm APART. THIS PRORATED DATA IS INTENDED TO REPRESENT A 4 FOOT LONG LUMINAIRE CONTAINING TWENTY-FOUR LED'S SPACED 49.5mm APART. ACTUAL PERFORMANCE MAY VARY. THE DATA USED TO GENERATE THIS PRORATED REPORT IS ABSOLUTE FOR THE SAMPLE PROVIDED AT RATED INPUT VOLTAGE (120VAC) TO THE POWER SUPPLY. LAMP INFORMATION PROVIDED BY CLIENT.



CANDELA DISTRIBUTION

	0.0	22.5	45.0	67.5	90.0
0	6024	6024	6024	6024	6024
5	5632	5672	5752	5868	5932
15	3244	3136	3204	3292	3196
25	788	656	692	784	648
35	168	136	148	160	132
45	64	60	64	68	64
55	40	40	40	44	44
65	20	20	24	28	32
75	8	8	8	12	12
85	0	0	0	0	4
90	0	0	0	0	0

FLUX



ZONAL LUMEN SUMMARY

ZONE	LUMENS	%FIXT
0- 30	1746	88.7
0- 40	1845	93.7
0- 60	1933	98.2
0- 90	1968	100.0
90-180	0	0.0
0-180	1968	100.0

CIE TYPE - DIRECT

PLANE : 0-DEG 90-DEG
SPACING CRITERIA : 0.5 0.5
LUMINOUS LENGTH : 0.875 45.625

LUMINANCE DATA IN CANDELA/SQ M

ANGLE IN DEG	AVERAGE 0-DEG	AVERAGE 45-DEG	AVERAGE 90-DEG
45	3514.	3514.	3514.
55	2708.	2708.	2978.
65	1837.	2205.	2940.
75	1200.	1200.	1800.
85	0.	0.	1782.

LEGEND:

0-deg: - - - - -
45-deg: = = = = =
90-deg: - - - - -

Checked *R. BERGIN*

Approved *R. BERGER*



INDEPENDENT TESTING LABORATORIES, INC.
 3386 LONGHORN ROAD, BOULDER, CO 80302 USA

PHONE: (303)442-1255 • FAX: (303)449-5274 • E-MAIL: itl@itlboulder.com • WEBSITE: www.itlboulder.com

REPORT NUMBER: ITL59975
 PREPARED FOR: GVA LIGHTING, INC.

DATE: 02/25/08

CANDELA DISTRIBUTION

	0.0	22.5	45.0	67.5	90.0
0.0	6024	6024	6024	6024	6024
2.5	5924	5940	5960	6012	6052
5.0	5632	5672	5752	5868	5932
7.5	5188	5220	5340	5472	5532
10.0	4584	4624	4732	4828	4848
12.5	3948	3916	3992	4060	4024
15.0	3244	3136	3204	3292	3196
17.5	2508	2320	2388	2520	2356
20.0	1792	1576	1648	1796	1604
22.5	1208	1024	1080	1212	1036
25.0	788	656	692	784	648
27.5	520	420	452	508	408
30.0	348	276	300	336	264
32.5	240	188	208	228	180
35.0	168	136	148	160	132
37.5	124	104	112	120	104
40.0	96	84	92	96	84
42.5	76	72	76	80	72
45.0	64	60	64	68	64
47.5	56	52	56	60	60
50.0	48	48	52	52	52
52.5	44	44	44	48	48
55.0	40	40	40	44	44
57.5	32	36	40	40	44
60.0	28	32	36	36	40
62.5	24	28	28	32	36
65.0	20	20	24	28	32
67.5	16	16	20	24	28
70.0	12	12	16	20	20
72.5	8	8	12	16	16
75.0	8	8	8	12	12
77.5	4	4	4	8	12
80.0	0	4	4	4	8
82.5	0	0	0	4	4
85.0	0	0	0	0	4
87.5	0	0	0	0	0
90.0	0	0	0	0	0

ZONAL	LUMEN	SUMMARY
0-	5	143.
5-	10	383.
10-	15	473.
15-	20	398.
20-	25	233.
25-	30	117.
30-	35	61.
35-	40	38.
40-	45	28.
45-	50	23.
50-	55	20.
55-	60	18.
60-	65	14.
65-	70	10.
70-	75	6.
75-	80	3.
80-	85	1.
85-	90	0.



INDEPENDENT TESTING LABORATORIES, INC.
 3386 LONGHORN ROAD, BOULDER, CO 80302 USA

PHONE: (303)442-1255 • FAX: (303)449-5274 • E-MAIL: itl@itlboulder.com • WEBSITE: www.itlboulder.com

REPORT NUMBER: ITL59975

DATE: 02/25/08

PREPARED FOR: GVA LIGHTING, INC.

COEFFICIENTS OF UTILIZATION - ZONAL CAVITY METHOD

EFFECTIVE FLOOR CAVITY REFLECTANCE 0.20

RC	80				70				50			30			10			0	
	RW	70	50	30	10	70	50	30	10	50	30	10	50	30	10	50	30	10	0
0	119	119	119	119	116	116	116	116	111	111	111	111	106	106	106	102	102	102	100
1	114	112	110	108	112	110	108	106	106	104	103	102	101	101	100	99	98	97	95
2	110	106	102	99	108	104	101	98	101	98	96	98	96	94	95	94	92	91	91
3	106	100	96	93	104	99	95	92	96	93	91	94	92	89	92	90	88	87	87
4	102	96	91	88	100	95	90	87	92	89	86	91	88	85	89	86	84	83	83
5	98	91	87	83	97	90	86	83	89	85	82	87	84	81	86	83	81	80	80
6	95	88	83	79	93	87	82	79	85	82	79	84	81	78	83	80	78	76	76
7	92	84	79	76	90	84	79	76	82	78	76	81	78	75	80	77	75	74	74
8	89	81	76	73	88	81	76	73	80	76	73	79	75	72	78	75	72	71	71
9	86	78	74	70	85	78	73	70	77	73	70	76	73	70	75	72	70	69	69
10	83	76	71	68	82	75	71	68	75	71	68	74	70	68	73	70	67	66	66

ALL CANDELA, LUMENS, LUMINANCE, AND VCP VALUES IN THIS REPORT ARE BASED ON ABSOLUTE PHOTOMETRY. THE COEFFICIENT OF UTILIZATION VALUES ARE BASED ON THE TOTAL ABSOLUTE LUMEN OUTPUT OF THIS LUMINAIRE SAMPLE.