



itl boulder

THE LIGHT CENTER OF THE INDUSTRY SINCE 1955

INDEPENDENT TESTING LABORATORIES, INC.
3386 LONGHORN ROAD, BOULDER, CO 80302 USA

PHONE: (303)442-1255 • FAX: (303)449-5274 • E-MAIL: itl@itlboulder.com • WEBSITE: www.itlboulder.com

REPORT NUMBER: ITL59973

DATE: 02/23/08

PREPARED FOR: GVA LIGHTING, INC.

CATALOG NUMBER: STR9-300-CM-6-2.5W-5100K-EB

LUMINAIRE: EXTRUDED FINNED METAL HOUSING WITH FLAT METAL END CAPS, ONE WHITE CIRCUIT BOARD WITH SIX LEDS AND OPTICAL ASSEMBLIES, CLEAR FLAT GLASS LENS WITH BLACK PAINTED PERIMETER. EXACT INTERIOR PROPERTIES UNKNOWN AS THIS IS A SEALED UNIT.

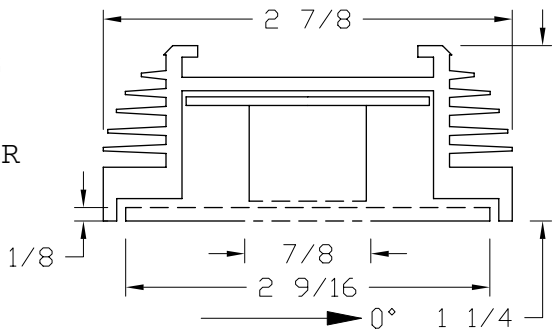
LAMPS: SIX 2.5-WATT WHITE LIGHT EMITTING DIODES (LEDS), CLEAR MICRO-PRISMATIC LENS WITH LINEAR PRISMATIC BOTTOM IN WHITE PLASTIC FRAME BELOW EACH LED, LINEAR PRISMS PERPENDICULAR TO LENGTH OF HOUSING, VERTICAL BASE-UP POSITION.

TOTAL INPUT WATTS = 19.4 AT 120.0 VOLTS

LED DRIVER: GVA LIGHTING LP1025-24 24V

1.04A 25W DC POWER SUPPLY

NOTE: DATA SHOWN IS ABSOLUTE FOR THE SAMPLE PROVIDED AT RATED INPUT VOLTAGE (120VAC) TO THE POWER SUPPLY. A 6 FOOT POWER CORD EXTENDS FROM THE POWER SUPPLY TO THE LED ASSEMBLY. LAMP INFORMATION PROVIDED BY CLIENT.



CANDELA DISTRIBUTION

	0.0	22.5	45.0	67.5	90.0
0	1929	1929	1929	1929	1929
5	1279	1331	1474	1650	1735
15	166	204	384	924	1451
25	42	47	80	307	749
35	22	23	30	82	221
45	13	15	18	30	58
55	9	10	13	16	20
65	6	6	8	9	12
75	2	2	3	4	6
85	0	0	0	0	1
90	0	0	0	0	0

FLUX

123
161
97
42
19
12
7
3
0

ZONAL LUMEN SUMMARY

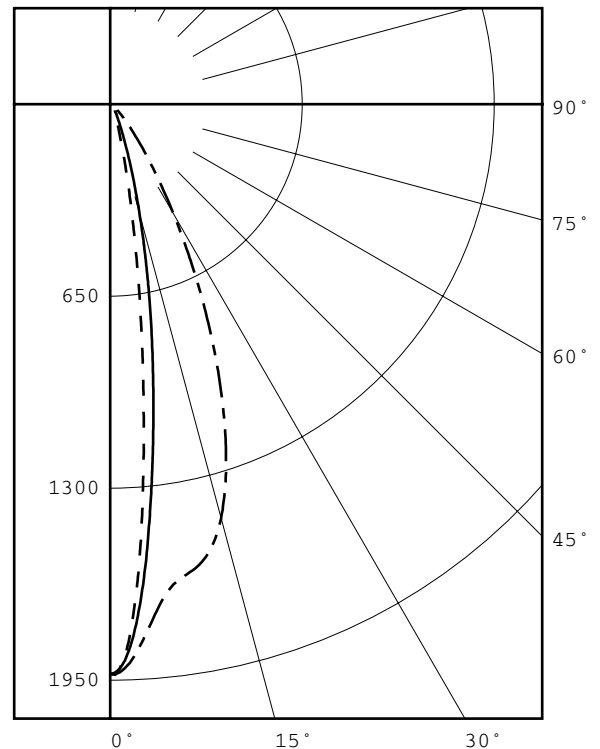
ZONE	LUMENS	%FIXT
0- 30	382	81.6
0- 40	425	90.7
0- 60	456	97.5
0- 90	468	100.0
90-180	0	0.0
0-180	468	100.0

CIE TYPE - DIRECT

PLANE	: 0-DEG	90-DEG
SPACING CRITERIA	: 0.2	0.7
LUMINOUS LENGTH	: 0.875	10.750

LUMINANCE DATA IN CANDELA/SQ M

ANGLE IN DEG	AVERAGE 0-DEG	AVERAGE 45-DEG	AVERAGE 90-DEG
45	3030.	4195.	13516.
55	2586.	3735.	5746.
65	2339.	3119.	4679.
75	1273.	1910.	3820.
85	0.	0.	1891.



LEGEND:

0-deg:	-----
45-deg:	—————
90-deg:	- · - · - · -

Checked *N. WHITE*

Approved *R. BERGER*



INDEPENDENT TESTING LABORATORIES, INC.
 3386 LONGHORN ROAD, BOULDER, CO 80302 USA

PHONE: (303)442-1255 • FAX: (303)449-5274 • E-MAIL: itl@itlboulder.com • WEBSITE: www.itlboulder.com

REPORT NUMBER: ITL59973

DATE: 02/23/08

PREPARED FOR: GVA LIGHTING, INC.

CANDELA DISTRIBUTION
 LATERAL ANGLE

	0.0	22.5	45.0	67.5	90.0
0.0	1929	1929	1929	1929	1929
0.5	1931	1927	1924	1927	1930
1.0	1909	1908	1910	1917	1923
1.5	1872	1873	1885	1901	1910
2.0	1817	1824	1848	1877	1893
2.5	1746	1762	1803	1849	1871
3.0	1666	1686	1747	1815	1846
3.5	1579	1606	1685	1777	1818
4.0	1484	1517	1619	1735	1791
4.5	1385	1427	1548	1694	1763
5.0	1279	1331	1474	1650	1735
5.5	1184	1238	1399	1598	1710
6.0	1087	1147	1326	1567	1688
6.5	996	1061	1256	1529	1669
7.0	910	976	1185	1491	1654
7.5	831	895	1117	1457	1640
8.0	751	821	1051	1423	1631
8.5	682	750	988	1390	1623
9.0	615	684	928	1358	1616
9.5	554	623	870	1326	1609
10.0	497	565	815	1294	1603
10.5	446	513	761	1260	1596
11.0	398	463	709	1226	1587
11.5	355	418	662	1191	1576
12.0	319	376	615	1155	1565
12.5	285	339	571	1118	1551
13.0	254	305	529	1079	1535
13.5	228	275	489	1041	1517
14.0	205	249	452	1002	1496
14.5	185	225	417	964	1475
15.0	166	204	384	924	1451
15.5	152	185	354	885	1424
16.0	137	167	324	846	1395
16.5	125	153	299	808	1366
17.0	115	140	274	770	1336
17.5	105	128	252	733	1305
18.0	97	117	231	697	1269
18.5	90	108	213	663	1236
19.0	83	100	195	628	1200
19.5	78	93	180	596	1165
20.0	72	86	166	563	1127
22.5	54	62	113	421	937
25.0	42	47	80	307	749
27.5	35	38	59	221	576
30.0	29	32	46	158	429
32.5	25	27	37	113	311
35.0	22	23	30	82	221
37.5	19	21	26	61	157
40.0	17	18	23	47	111
42.5	15	16	20	37	79
45.0	13	15	18	30	58
47.5	12	13	17	25	42
50.0	11	12	15	22	32
52.5	10	11	14	19	25
55.0	9	10	13	16	20
57.5	8	9	12	14	17
60.0	8	8	10	13	15
62.5	7	7	9	11	13
65.0	6	6	8	9	12
67.5	5	5	6	8	10
70.0	4	4	5	7	9
72.5	3	3	4	6	8
75.0	2	2	3	4	6
77.5	1	1	2	3	4
80.0	1	1	1	2	3



itl boulder

THE LIGHT CENTER OF THE INDUSTRY SINCE 1955

INDEPENDENT TESTING LABORATORIES, INC.
3386 LONGHORN ROAD, BOULDER, CO 80302 USA

PHONE: (303)442-1255 • FAX: (303)449-5274 • E-MAIL: itl@itlboulder.com • WEBSITE: www.itlboulder.com

REPORT NUMBER: ITL59973

DATE: 02/23/08

PREPARED FOR: GVA LIGHTING, INC.

	CANDELA DISTRIBUTION				
	LATERAL ANGLE				
	0.0	22.5	45.0	67.5	90.0
82.5	0	0	0	1	2
85.0	0	0	0	0	1
87.5	0	0	0	0	0
90.0	0	0	0	0	0



INDEPENDENT TESTING LABORATORIES, INC.
 3386 LONGHORN ROAD, BOULDER, CO 80302 USA

PHONE: (303)442-1255 • FAX: (303)449-5274 • E-MAIL: itl@itlboulder.com • WEBSITE: www.itlboulder.com

REPORT NUMBER: ITL59973

DATE: 02/23/08

PREPARED FOR: GVA LIGHTING, INC.

COEFFICIENTS OF UTILIZATION - ZONAL CAVITY METHOD

EFFECTIVE FLOOR CAVITY REFLECTANCE 0.20

RC	80				70				50			30			10			0	
	RW	70	50	30	10	70	50	30	10	50	30	10	50	30	10	50	30	10	0
0	119	119	119	119	116	116	116	116	111	111	111	111	106	106	106	102	102	102	100
1	114	111	110	91	107	112	109	107	105	105	104	102	102	100	99	98	97	96	95
2	109	105	101	98	107	103	100	97	100	97	95	97	95	93	94	92	91	89	89
3	104	99	94	91	102	97	93	90	95	91	89	92	90	87	90	88	86	84	84
4	100	93	89	85	98	92	88	84	90	86	83	88	85	82	87	84	81	80	80
5	96	89	84	80	95	88	83	80	86	82	79	85	81	78	83	80	78	76	76
6	92	85	80	76	91	84	79	76	83	78	75	81	78	75	80	77	74	73	73
7	89	81	76	72	88	80	76	72	79	75	72	78	74	71	77	74	71	70	70
8	86	78	73	69	85	77	72	69	76	72	69	75	71	69	74	71	68	67	67
9	83	75	70	66	82	74	70	66	73	69	66	73	69	66	72	68	66	65	65
10	80	72	67	64	79	72	67	64	71	67	64	70	66	63	70	66	63	62	62

ALL CANDELA, LUMENS, LUMINANCE, AND VCP VALUES IN THIS REPORT ARE BASED ON ABSOLUTE PHOTOMETRY. THE COEFFICIENT OF UTILIZATION VALUES ARE BASED ON THE TOTAL ABSOLUTE LUMEN OUTPUT OF THIS LUMINAIRE SAMPLE.