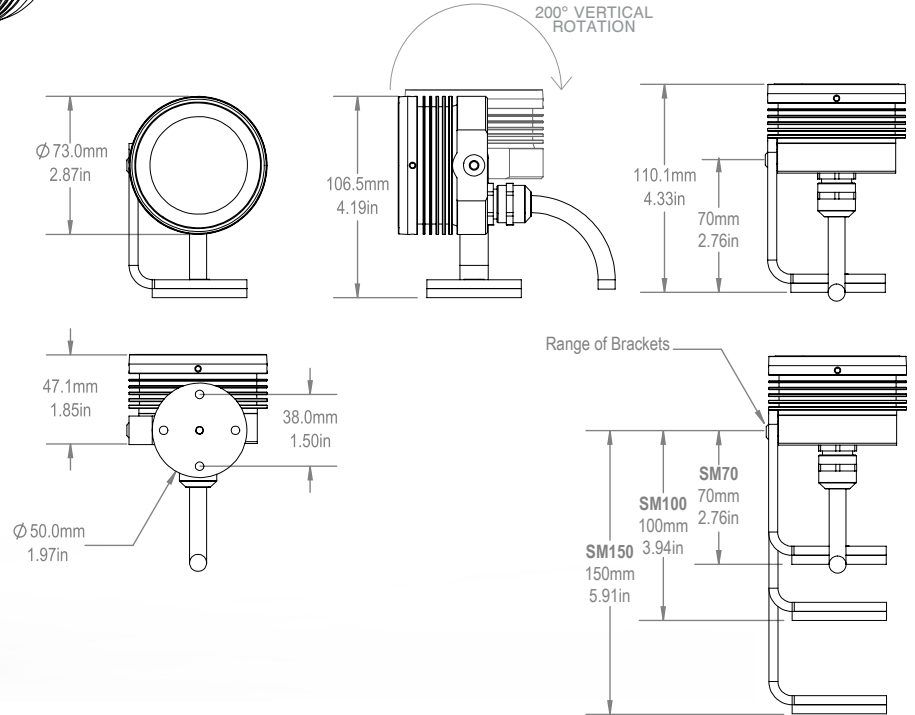


Dynamic White Architectural Spot and Flood Light

PRODUCT SPECIFICATION SHEET



| | |
|----------|--|
| DATE: | |
| TYPE: | |
| COMPANY: | |
| PROJECT: | |



FEATURES:

- Dynamic white between 2700K and 7000K
- Fully sealed body design
- Machined and architectural anodized aluminum body
- Optically clear tempered glass
- Leader cable with proprietary moisture blocking design (IP68²)
- 5 year limited warranty
- Compact size, only 73mm (2.9in) in diameter
- Highly adjustable with 360° horizontal and 200° vertical rotation

OPTIONS:

- Beam angles ranging from 10° to 90° with elliptical distribution options
- Optical accessories for glare control
- Black matte and clear matte anodized colors
- Range of bracket lengths
- Outdoor Cable option suitable for outdoor exposed runs or Outdoor Burial Cable option suitable for outdoor exposed runs and direct burial (landscape applications).

SPECIFICATION LOGIC: LIRA™ DWT

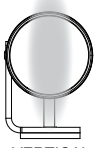
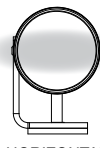



| FAMILY | BODY COLOR | POWER | LED COLOR | CONTROL | INPUT VOLTAGE | OPTICS (FWHM) | FLYING LEAD LENGTH | CABLE TYPE | MOUNTING |
|--------|--|-------|-------------------------------------|---------|---------------|--|--|---|--|
| LIRA | BM - Black Matte CM - Clear Matte CUST - Custom Color ¹ | 8W | DWT - Dynamic White (2700K - 7700K) | DMX | 24VDC | 10 - 10°x10° 20 - 20°x20° 40 - 40°x40° 60 - 60°x60° 80 - 80°x80° 90 - 90°x90° 10x40 - 10°x40° H 40x10 - 40°x10° V 10x60 - 10°x60° H 60x10 - 60°x10° V 30x60 - 30°x60° H 60x30 - 60°x30° V | LL1 - 1.0m (3.3ft) LL2.5 - 2.5m (8.2ft) LL5 - 5.0m (16.4ft) LL7.5 - 7.5m (24.6ft) LL10 - 10.0m (32.8ft) LL15 - 15.0m (49.2ft) LL20 - 20.0m (65.6ft) LL25 - 25.0m (82.0ft) | OD - Outdoor OB - Outdoor Burial (Landscape) | SM70 SM100 ¹ SM150 ¹ |

PRODUCT CONFIGURATION

1. Non-standard option or in development. Contact factory for lead times.
2. Product has been designed to achieve or surpass IP66/68 ratings, certification pending.

Dynamic White Architectural Spot and Flood Light

PRODUCT SPECIFICATION SHEET

| PRODUCT SPECIFICATIONS: LIRA™ DWT | | | | | |
|-----------------------------------|--|--|----------------------|--|--|
| ELECTRICAL | Rated Input Voltage | 24VDC | | | |
| | Power Consumption (max.) | 8W | | | |
| | AC/DC Power Supply | GVA Lighting, Inc. PDB-ELV24-100~277VAC-IP66/IP40, or suitable 24V Class2 power supply | | | |
| OPTICAL | Light Source | High Power 4 in 1 Dynamic White LED | | | |
| | DWT Output (typical) 10° | Color | CCT | Luminous Flux (lm) | Peak Intensity (cd) |
| | Optics (FWHM) | Warm White | 2700K | 160 | 2,503 |
| | | Ultra White | 7700K | 280 | 4,502 |
| | | 10 (10°x10°) | 10x40 (10°x40° H) |  VERTICAL (40°x10°) |  HORIZONTAL (10°x40°) |
| | | 20 (20°x20°) | 40x10 (40°x10° V) | | |
| 40 (40°x40°) | | 10x60 (10°x60° H) | | | |
| 60 (60°x60°) | 60x10 (60°x10° V) | | | | |
| 80 (80°x80°) | 30x60 (30°x60° H) | | | | |
| 90 (90°x90°) | 60x30 (60°x30° V) | | | | |
| Projected Lumen Maintenance | L70 > 60,000hrs @ $t_a = 50^\circ\text{C}$ (122°F) | | | | |
| CONTROL | Control Systems | Any DMX512-A controller | | | |
| PHYSICAL | Size (HxWxD) | mm | 106.5 x 73.90 x 47.1 | | |
| | | inches | 4.19 x 2.87 x 1.85 | | |
| | Weight | kg | 0.38 | | |
| | | lbs | 0.84 | | |
| | Housing | Machined and architectural anodized aluminum body, optically clear tempered glass | | | |
| | Fixture Connections (DMX) | 7 conductor power and data cable with stripped wires and proprietary moisture blocking | | | |
| Rated Operation Temperature | -30°C (-22°F) to +50°C (122°F) | | | | |
| Environment | Dry, Damp or Wet Locations, 0-100% Humidity | | | | |
| CERTIFICATION & SAFETY | Listings | RoHS | | | |
| | IEC Classifications | Class 2 LED Luminaire | | | |
| |    | Constructed to meet requirements outlined in UL 1838 & 8750 | | | |

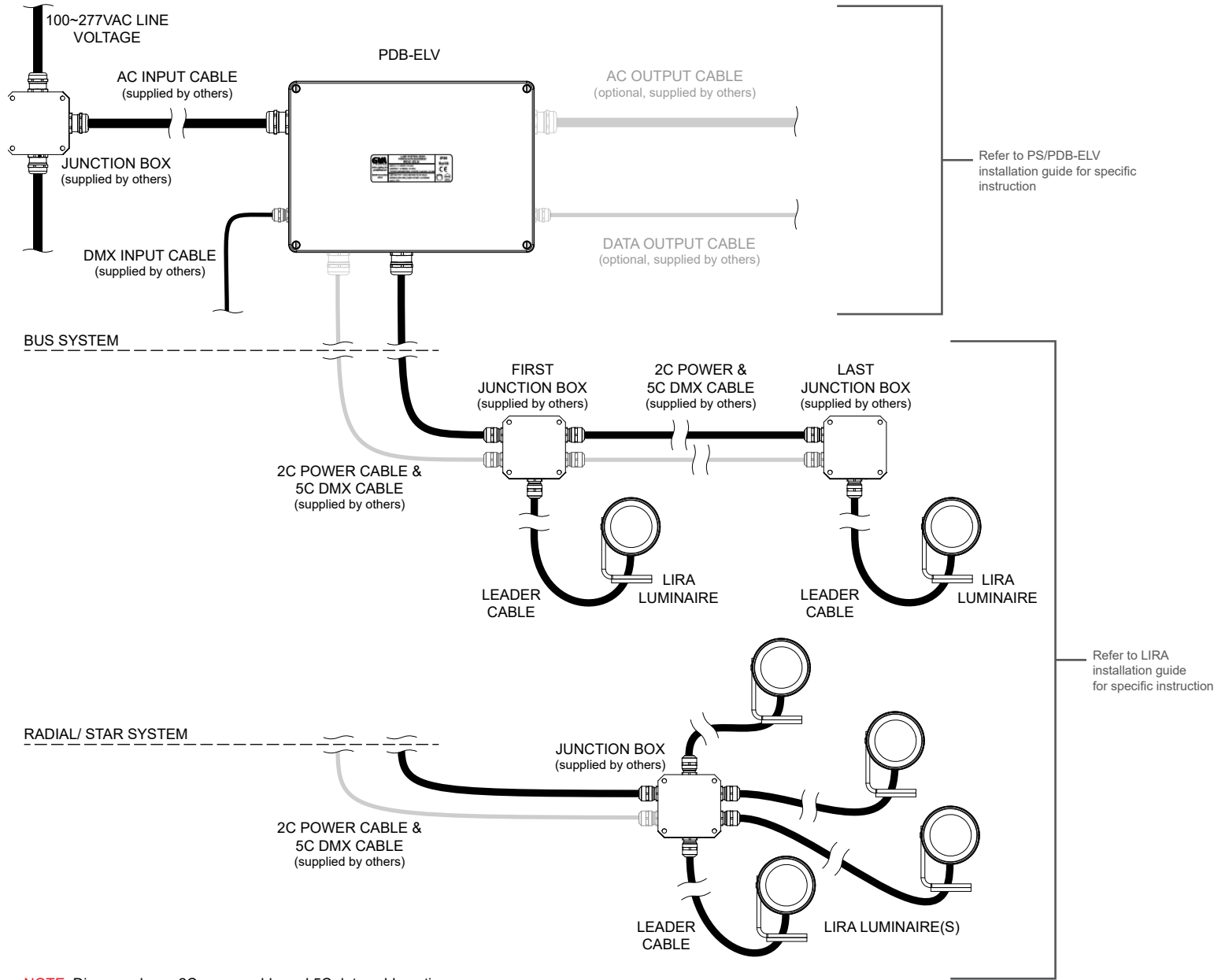
These figures are subject to change due to further development and innovations of LED light sources.

Dynamic White Architectural Spot and Flood Light

PRODUCT SPECIFICATION SHEET

TYPICAL SYSTEM DIAGRAMS

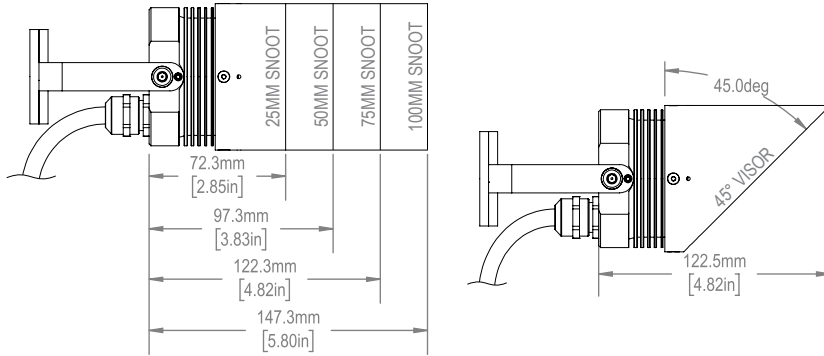
NOTE: Cable length, gauge, and fixture quantity is directly proportionate to the maximum fixture distance from the power-data box. Minimum working voltage of LIRA luminaire is 18VDC. Please consult GVA Lighting for more information.



NOTE: Diagram shows 2C power cable and 5C data cable option. GVA 7C power & data cable available (supplied separately).

ORDERING LOGIC: LIRA OPTICAL ACCESSORIES

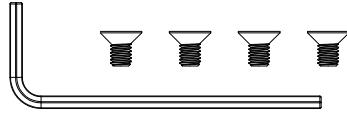
SNOOTS & VISORS



| COLOR | 25MM | 50MM | 75MM | 100MM | VISOR |
|----------------------|--------|--------|--------|--------|--------|
| Clear Matte Anodized | 122299 | 122302 | 122305 | 122308 | 122314 |
| Black Matte Anodized | 122300 | 122303 | 122306 | 122309 | 122315 |
| Custom Color | 122301 | 122304 | 122307 | 122310 | 122316 |

NOTE: Visor can be installed at any 90° orientation. See installation guide for details.
NOTE: Order 1 screw kit per every snoot and visor.

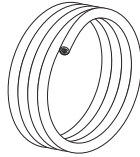
VISOR & SNOOT SCREW KIT



PART NO.
122907

NOTE: Order 1 screw kit per every snoot and visor.

CABLE



| TYPE | LENGTH | PART NUMBER |
|------------------------|-------------------|-------------|
| 7C OUTDOOR (OD) | Specify in Meters | 280277 |
| 7C OUTDOOR BURIAL (OB) | Specify in Meters | 280224 |