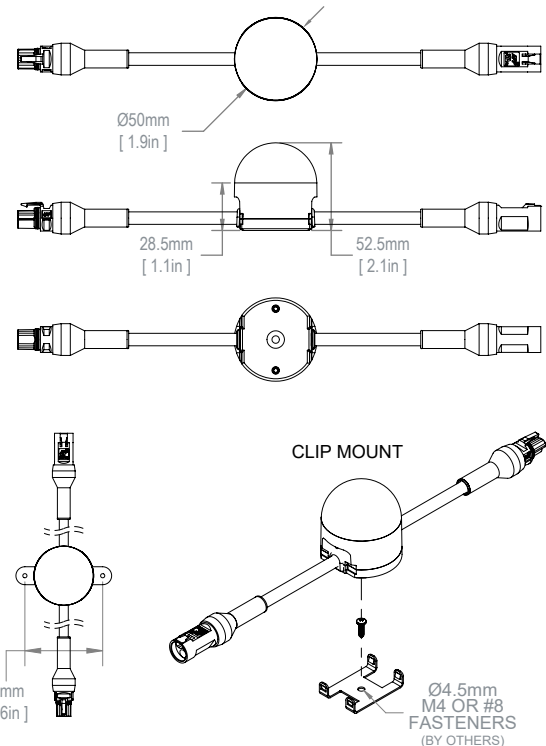
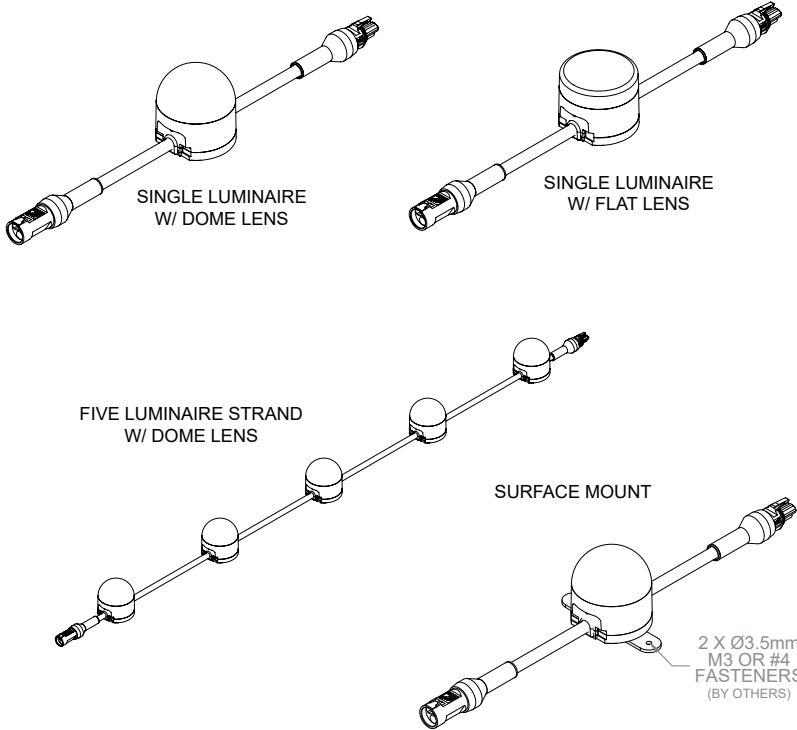


Direct View Pixel LED Luminaire

PRODUCT SPECIFICATION SHEET

Pixel™ is a direct view, small form factor luminaire designed for use in arrays for low resolution image creation or dynamic color changing lighting effects. Typical applications include 'Architainment', media façades, low resolution video displays, and special effect lighting.

DATE:	
TYPE:	
COMPANY:	
PROJECT:	



FEATURES:

- Lighting Performance:**
 - COLOR-AMP® technology allows up to three times higher light output in specific colors
 - Up to 25,600 cd/m² luminance on diffuser surface
- Mechanical Details:**
 - Indoor and Outdoor, Dry, Damp or Wet Locations
 - Through wiring for end-to-end connection via IP66 sealed connectors
- Control:**
 - DMX, 0-10V, DALI via GVA Lighting's proprietary ZHD control interface
- Operating Temperatures:** -40°C to +50°C (-40°F to 122°F)
- Warranty:** 5 year limited warranty

OPTIONS:

- Optics:** Impact and UV resistant dome or flat lens for 180°+ viewing angle
- Power Source:** INFINITY® Technology (INF) for exceptionally long runs from a single power source or Extra Low Voltage (ELV), remote power supplies
- Mounting:** Clip or Surface Mount

SPECIFICATION LOGIC: PIXEL™ TW

FAMILY	OPTICS	BODY COLOR	# OF PIXELS PER STRING	PITCH (mm)	VOLTAGE	POWER	LED COLOR	MOUNTING
PIXEL	DD - Diffused Dome DF - Diffused Flat Lens	WHT - White	P1 - 1 PIXEL	200	ELV - 48VDC INF - 380VDC	2.5W	RGBW30K' DWT - Dynamic White	CLP - Clip Bracket Mount SM - Surface Mount
			P2 - 2 PIXELS	300				
			P3 - 3 PIXELS	500				
			P4 - 4 PIXELS	600				
			P5 - 5 PIXELS	900				
				1200 CUST - Custom ²				

PRODUCT CONFIGURATION

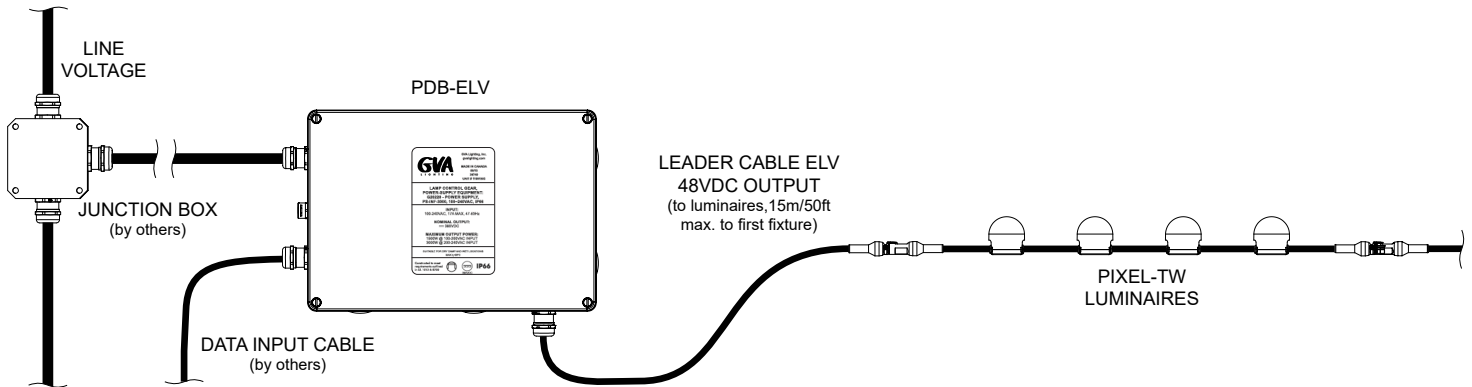
1. Default white is 3000K. Contact factory for alternate options.
2. Non standard option and might require longer leadtime than usual. Contact factory for details

Direct View Pixel LED Luminaire

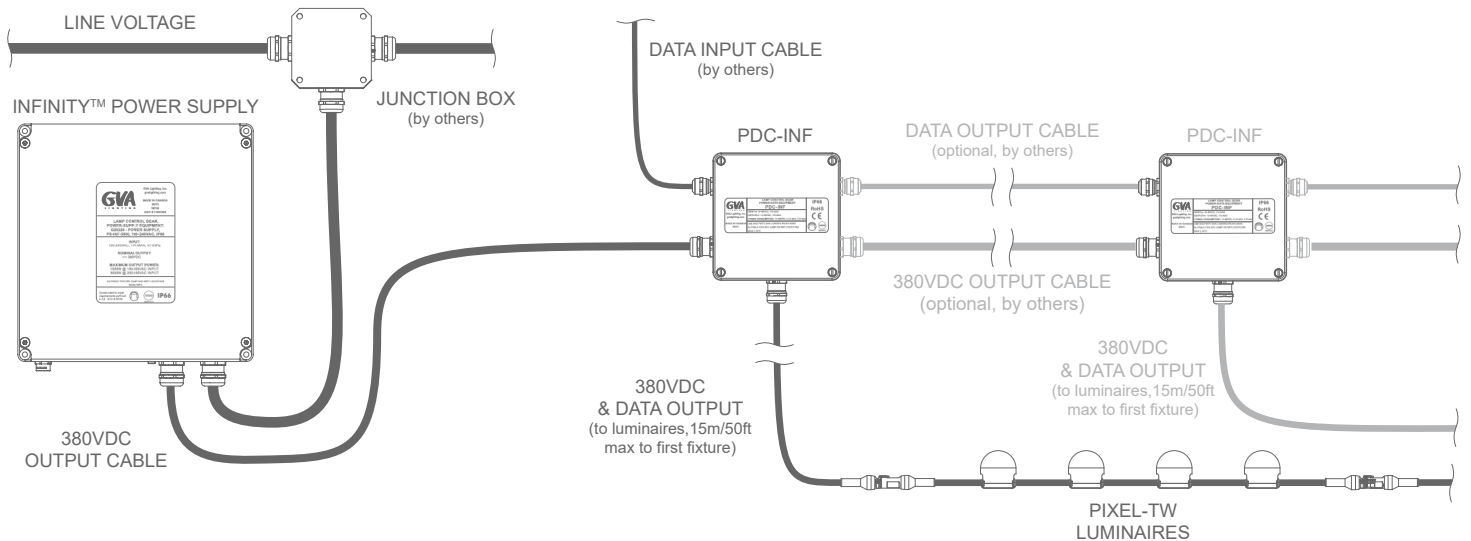
PRODUCT SPECIFICATION SHEET

PRODUCT SPECIFICATIONS: PIXEL™ TW				
ELECTRICAL	Rated Input Voltage	ELV	48VDC Nominal	
		INF	380VDC Nominal	
	Power Consumption	2.5W		
OPTICAL	Light Source	Monochromatic or RGBW LEDs		
	Optics	Impact and UV resistant dome or flat lens for 180°+ viewing angle		
	Lumen Maintenance (L70)	50,000 hours @ 50°C (B50, L70)		
	Surface Brightness (RGBW30K, 2.5W, cd/m²)	All On	16,310	
		Red	17,300	
Green		25,600		
Blue		8,060		
	White (3000K)	24,220		
CONTROL	Control Interface	DMX, 0-10V, DALI via GVA Lighting's proprietary ZHD control interface		
PHYSICAL (per pixel)	Diameter x Height	mm	50x52.5 / 50x40.5	
	Dome/Flat	inches	1.9x2 / 1.9x1.6	
	Weight	g	92	
		lbs	0.2	
	Housing	5VA Flame retardant, UV/Impact resistant polymeric body and diffuser		
	Fixture Connections	Through wiring for end-to-end connection via IP66 sealed connectors		
Rated Operating Temperatures	-40°C to +50°C (-40°F to 122°F)			
CERTIFICATION & SAFETY	Environment	Indoor and Outdoor, Dry, Damp or Wet Locations		
	IEC Classification	Surface or Recessed Mount, Indoor/Outdoor-Use, Class II, IP66, for normal use		
	UL/CSA Classification	Surface Mount or Recessed Mount, For Dry or Damp or Wet Locations Constructed to meet requirements outlined in UL1598 & 8750		

TYPICAL SYSTEM DIAGRAM: ELV (WITH CONTROL)



TYPICAL SYSTEM DIAGRAM: INFINITY®1 (WITH CONTROL)



1. Under development; consult factory for lead time.