

# HIGHLIGHTER® COVE LITE

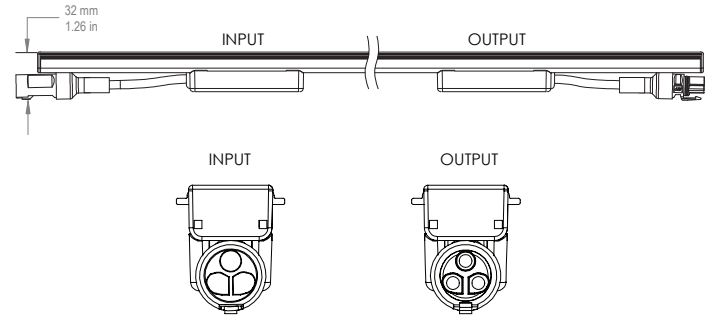
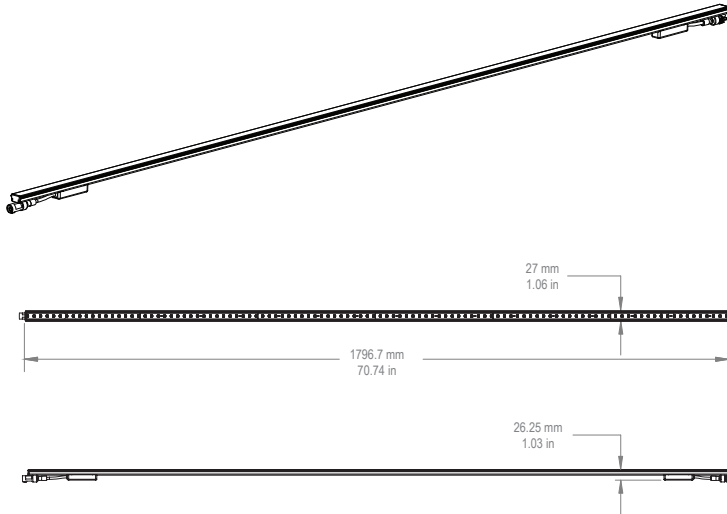
INFINITY®  
GVA TECHNOLOGY

GVA  
LIGHTING

Interior LED Cove Lighting System

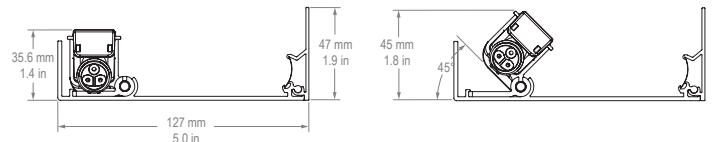
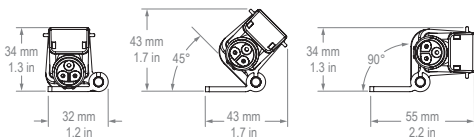
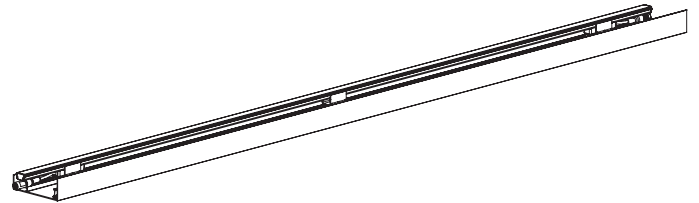
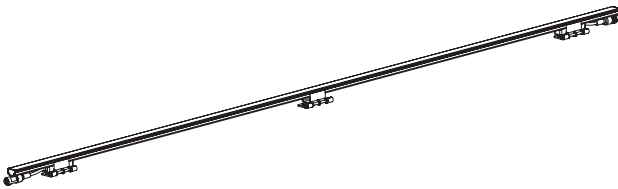
PRODUCT SPECIFICATION SHEET

DATE:	
TYPE:	
COMPANY:	
PROJECT:	



SINGLE ADJUSTABLE BRACKET

COVE TRAY WITH ADJUSTABLE BRACKETS



## FEATURES:

- INFINITY® Technology (INF) for exceptionally long runs from a single power source
- Low cost option for HIGHLIGHTER® COVE system
- Up to 1500 lm/m (450 lm/ft)
- Power Consumption: 5W / 300 mm (1 ft)
- 1800 mm (6 ft) fixture length: ideal for long, straight runs
- 18 x mid-power LEDs / 300 mm (1 ft)
- LED pitch is maintained within and between luminaires to eliminate dark spots
- Through-wiring for end-to-end connection via snap-in connectors
- Compatible with HIGHLIGHTER® COVE modules to accommodate curved sections (INF only)
- IP40 rated, simplified indoor construction for reduced luminaire costs
- Small luminaire size: 37 mm (1.4 in) high, 55 mm (2.1 in) wide
- Projected Lifetime: 115,000 hrs @ 23° C (73° F) L70
- Operating Temperature: 0° C to +50° C (32° F to 122° F)

## OPTIONS:

- DMX, DALI or 0~10V control through GVA Power-Data Equipment
- Mounting Options include: adjustable aim mounting brackets: 0-90° in 10° increments for precise control of lighting effects, tracks for easy luminaire alignment, tray with integrated glare control

# HIGHLIGHTER® COVE LITE



## Interior LED Cove Lighting System




## PRODUCT SPECIFICATION SHEET

### SPECIFICATION LOGIC: HL-COVE-LITE

DESCRIPTION	PART NUMBER
HL-COVE-LITE-2200K <sup>1</sup>	G00563
HL-COVE-LITE-2700K	G00244
HL-COVE-LITE-3000K	G00245
HL-COVE-LITE-3000K-H1 <sup>1</sup>	G00564
HL-COVE-LITE-3500K	G00246
HL-COVE-LITE-4000K	G00247
HL-COVE-LITE-4000K-H1 <sup>1</sup>	G00565
HL-COVE-LITE-5000K	G00248
HL-COVE-LITE-6500K	G00249
HL-COVE-LITE-RD <sup>1</sup>	G00566
HL-COVE-LITE-GR <sup>1</sup>	G00567
HL-COVE-LITE-BL <sup>1</sup>	G00300

1. Under development. Contact factory for details and lead times.

### PRODUCT SPECIFICATIONS: HL-COVE-LITE

ELECTRICAL	Rated Input Voltage	Nominal	380VDC
	Power Consumption	Typical	28.5W
		Maximum	30W
	Rated Current for circuit	Maximum	6A
OPTICAL	Light Source	Mono color LEDs	
	Luminous Flux (white LEDs)	3000K	2,550 lm
		4000K	2,700 lm
	CRI	80+	
CONTROL	Control Protocols	DMX, DALI or 0~10V control through GVA Power-Data Equipment	
	Fixture Connections	Mating connectors	
PHYSICAL	Width x Height	mm	1,796.7 x 27 x 32
		inches	70.74 x 1.06 x 1.26
	Weight	kg	0.58
		lbs	1.28
	Housing	Extruded, flame retardant polymeric body and lens	
	Rated Operating Temperatures	0°C to 50°C (32°F to 122°F)	
Environment	Dry or Damp Locations, IP40		
	Class	Class II LED luminaire	
CERTIFICATION & SAFETY	  		

These figures subject to change due to further development and innovations.

# HIGHLIGHTER® COVE LITE

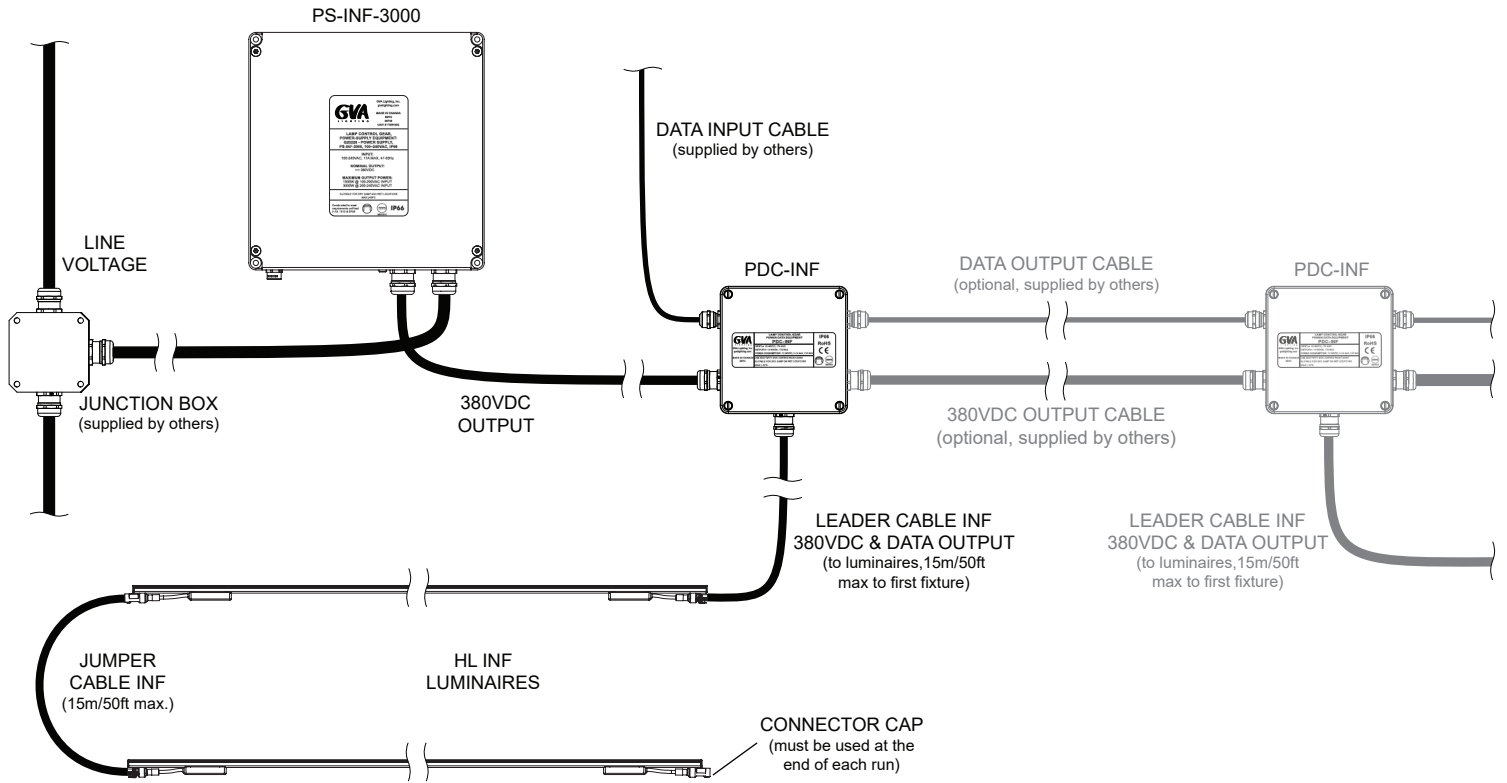
INFINITY  
GVA TECHNOLOGY

GVA  
LIGHTING

Interior LED Cove Lighting System

PRODUCT SPECIFICATION SHEET

## TYPICAL SYSTEM DIAGRAM - INFINITY® TECHNOLOGY



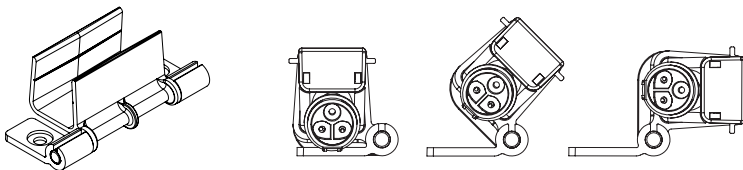
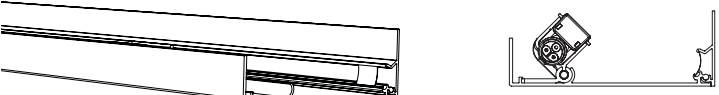
# HIGHLIGHTER® COVE LITE

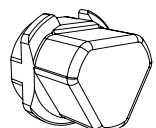
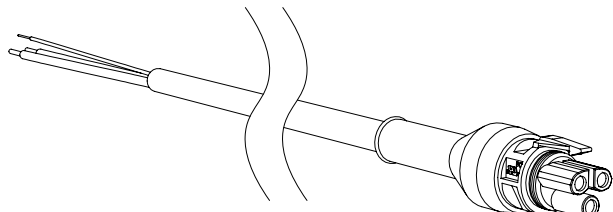
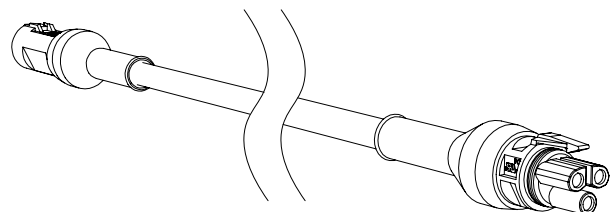
INFINITY  
GVA TECHNOLOGY

GVA  
LIGHTING

Interior LED Cove Lighting System

PRODUCT SPECIFICATION SHEET

ORDERING LOGIC: HL-COVE						
SINGLE BRACKET (INDOOR USE ONLY)		ADJUSTABLE, BRACKET, HL-COVE, SINGLE				
		PART NUMBER 122160				
ADJUSTABLE COVE TRAY (INDOOR USE ONLY)		HL-COVE, TRAY				
		<table border="1"> <thead> <tr> <th>NOMINAL LENGTH (mm)</th> <th>PART NUMBER</th> </tr> </thead> <tbody> <tr> <td>1800</td> <td>121045</td> </tr> </tbody> </table>	NOMINAL LENGTH (mm)	PART NUMBER	1800	121045
NOMINAL LENGTH (mm)	PART NUMBER					
1800	121045					

ORDERING LOGIC: COMMON COMPONENTS																
CONNECTOR CAP		CONN, APP, HL-CONNECTOR CAP														
		PART NUMBER 230866														
LEADER CABLE (INF)		<table border="1"> <thead> <tr> <th>NOMINAL LENGTH (m)</th> <th>PART NUMBER</th> </tr> </thead> <tbody> <tr> <td>5 (16.4ft)</td> <td>140621</td> </tr> <tr> <td>10 (32.8ft)</td> <td>140622</td> </tr> <tr> <td>20 (65.6ft)</td> <td>140623</td> </tr> <tr> <td>30 (98.4ft)</td> <td>140624</td> </tr> </tbody> </table>	NOMINAL LENGTH (m)	PART NUMBER	5 (16.4ft)	140621	10 (32.8ft)	140622	20 (65.6ft)	140623	30 (98.4ft)	140624				
NOMINAL LENGTH (m)	PART NUMBER															
5 (16.4ft)	140621															
10 (32.8ft)	140622															
20 (65.6ft)	140623															
30 (98.4ft)	140624															
																
JUMPER CABLE (INF)		<table border="1"> <thead> <tr> <th>NOMINAL LENGTH (m)</th> <th>PART NUMBER</th> </tr> </thead> <tbody> <tr> <td>0.150 (0.5ft)</td> <td>140631</td> </tr> <tr> <td>0.3 (1ft)</td> <td>140632</td> </tr> <tr> <td>0.5 (1.64ft)</td> <td>140633</td> </tr> <tr> <td>1 (3.28ft)</td> <td>140634</td> </tr> <tr> <td>5 (16.4ft)</td> <td>140635</td> </tr> <tr> <td>10 (32.8ft)</td> <td>140636</td> </tr> </tbody> </table>	NOMINAL LENGTH (m)	PART NUMBER	0.150 (0.5ft)	140631	0.3 (1ft)	140632	0.5 (1.64ft)	140633	1 (3.28ft)	140634	5 (16.4ft)	140635	10 (32.8ft)	140636
NOMINAL LENGTH (m)	PART NUMBER															
0.150 (0.5ft)	140631															
0.3 (1ft)	140632															
0.5 (1.64ft)	140633															
1 (3.28ft)	140634															
5 (16.4ft)	140635															
10 (32.8ft)	140636															
																

Ordering logic configurations and quantities may be determined by specific details for your installation. GVA's Applications team can assist in specifying the appropriate configurations and quantities and create a Bill of Materials in the quoting process.