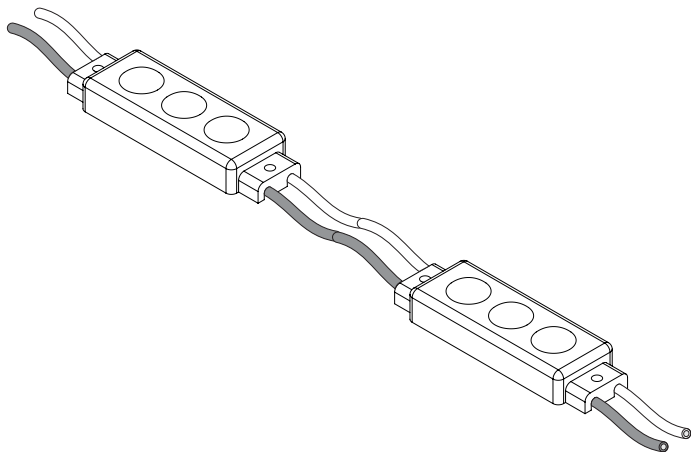


Product Specification Sheet



Date: _____

Type: _____

Company: _____

Project: _____

IP-SF-3™ is a low voltage, low wattage LED light module offering an energy efficient, reliable and low cost lighting solution for both indoor and outdoor installations. Typical applications include cove and under-cabinet lighting, backlighting and channel letter signs, delineation and any application where moisture or extreme temperatures may occur.

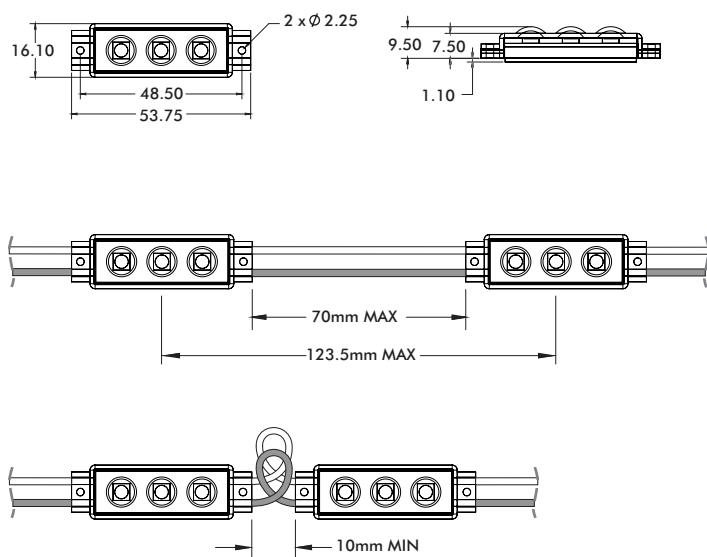
Each module consists of three LEDs available in 6 color temperatures of white as well as Amber, Red, Green and Blue.

The modules are completely sealed and IP65 rated for wet locations and can operate in ambient temperatures from -40°C to +50°C.

Each module is only 54mm long, 16mm wide, 9.5mm high and connected to adjacent modules with 70mm jumper wires (max. 123.5mm center-to-center). The compact size and flexibility of an IP-SF-3 assembly affords unlimited installation options. Standard assemblies are sold with 100 modules.

The IP-SF-3™ modules can be mounted with the pre-applied Very High Bond (VHB) double sided tape or with screws through the pre-drilled mounting flanges on each end of the module.

Mechanical Drawing



Features

- Three LEDs per module with wide 140° beam angle
- High luminous flux per module, 38lm
- Built-in constant current circuitry maintains equal luminous output module-to-module for full run length
- Projected lifetime 50,000 hours (L50)
- IP65 waterproof protection (sealed by epoxy resin)
- Extreme ambient temperature range: -40°C to +50°C (-40°F to +122°F)
- 100 pre-wired modules with 70mm (2-3/4") long jumper wires eliminate joints, save installation time and provide the ability to build curved illuminated lines
- Safe low voltage operation (12VDC)
- Very low power consumption; Maximum 0.5W per module
- LED available in 6 color temperatures of white as well as Amber, Red, Green and Blue
- Vibration resistant
- Pre-applied VHB double sided tape or built in screw flanges for quick installation
- Low cost

Specification Logic

FAMILY	LED COLOR
IP-SF-3™	2700K
	3000K
	3500K
	4000K
	5000K
	6500K
	RD - Red
	GR - Green
	BL - Blue
	AM - Amber

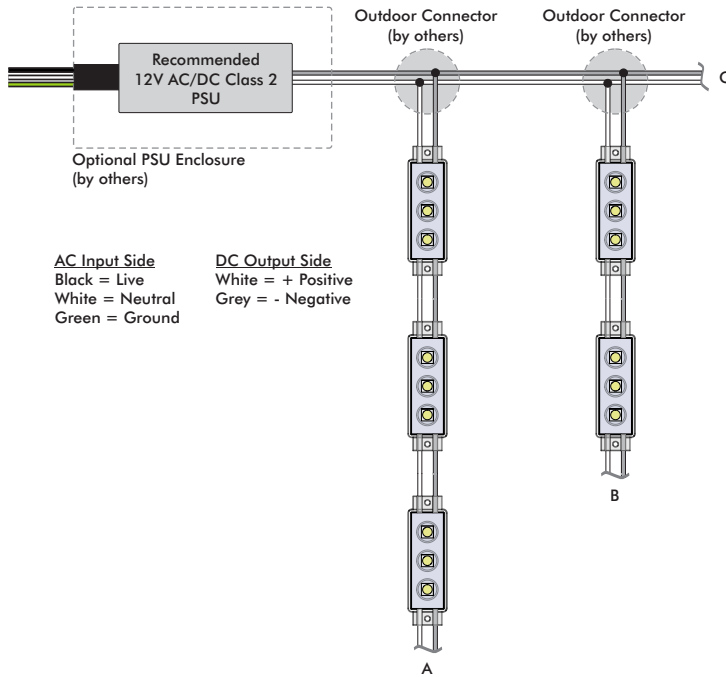
Product Configuration: **IP-SF-3-3000K**

IP-SF-3™ Waterproof LED Light Module



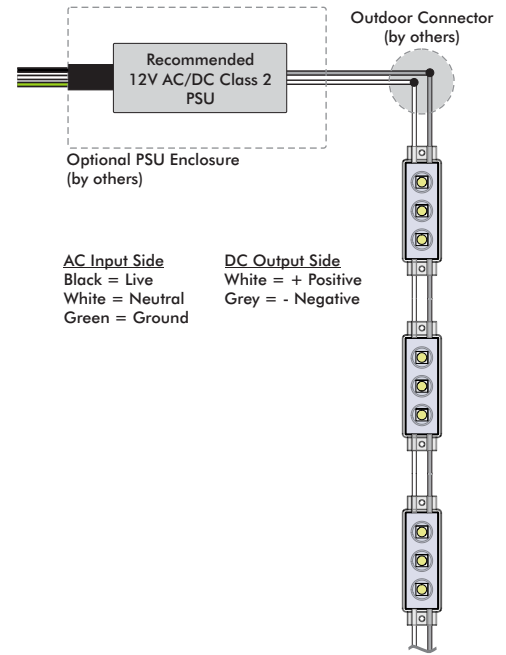
Typical System Diagram

IP-SF-3 in Parallel System Installation



The sum of A+B+C=Maximum of 100 units

IP-SF-3 in Series System Installation



Maximum of 100 units in a series.

Product Specifications

IP-SF-3™

Electrical		IP-SF-3™	
Rated Input Voltage		12VDC	
Power Consumption (maximum)		0.5W	
Approved Remote AC/DC Power Supplies		12VDC Class 2 Power Supplies Only	
		CLG-60-12	
		PLC-60-12	
		LP-1040-12	
Optical		IP-SF-3™	
Light Source		3 x SMT LEDs	
Lumens (typical per module)		38	
Optic		Wide Beam 140°	
Projected Lumen Maintenance		50,000 hours @ 50°C (B50, L70)	
Physical		IP-SF-3™	
Length x Width x Height	mm	54 x 16 x 9.5	
	inches	2.13 x 0.63 x 0.37	
Weight	g	6.5	
	oz	0.23	
Housing		Injection Molded ABS Body filled with Epoxy Resin	
Fixture Connections		70mm lead wires and 70mm jumper wires between modules	
Rated Operating Temperature		-30°C to +50°C, -22°F to 122°F	
Environment		Indoor/Outdoor, Dry or Damp or Wet Locations	

These figures are subject to change