



# PIXEL TW


Architectural Spot and Flood Light

INSTALLATION GUIDE



 <b>WARNING</b>	 <b>CAUTION</b>
<p>Do not attempt to install or use Luminaire(s) until you have read and understand this guide and all safety labels.</p> <p>Luminaire(s) must be installed by a qualified professional.</p> <p>Luminaire(s) must be installed in accordance with all national and local electrical and construction regulations.</p> <p>Ensure that main power supply is OFF before installing or wiring luminaire(s).</p> <p>Do not exceed specified voltage and current input.</p> <p>Do not use luminaire(s) with a damaged lens, body, or cable.</p> <p>Failing to install luminaire(s) according to warnings may result in a hazardous situation which can cause equipment and property damage, personal injury, or death.</p>	<p>Do not exceed the maximum number of specified luminaires in a light run. Doing so will result in a current overload.</p> <p>GVA Luminaires have no serviceable parts. Do not attempt to open the units.</p> <p>Do not hot swap. Ensure power supply is off before connecting or disconnecting fixtures.</p> <p>Do not stare into beam or view directly with optical instruments.</p> <p>Unauthorized feild repairs will void warranty.</p>

## 1 LUMINAIRE MOUNTING


 **WARNING** Use mounting hardware suitable for the mounting surface. Use of innappropriate hardware may result in dismounting of the bracket and can result in equipment damage, injuries, or death.

### 1.A. CLIP MOUNT BRACKET

**NOTE:** If installing SURFACE MOUNT BRACKET refer to Step 1.B.

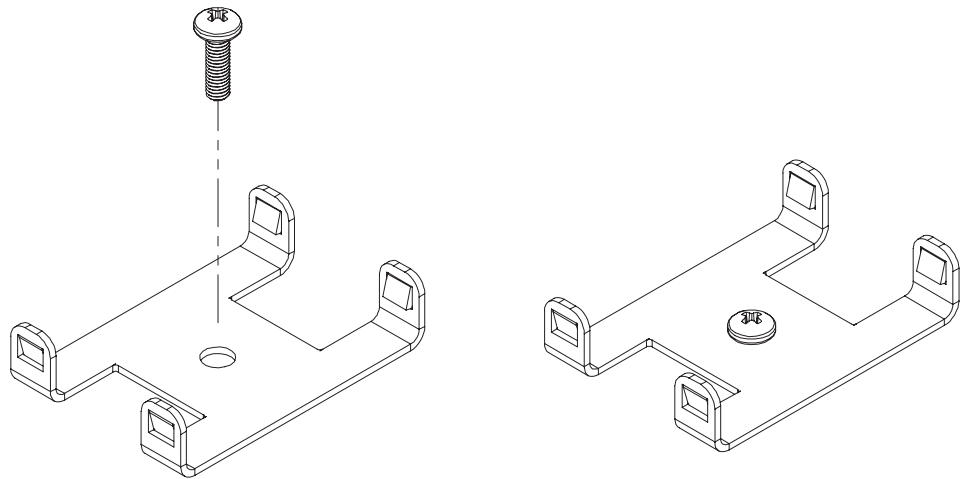
Install CLIP MOUNT BRACKET using M3 Panhead Screws (supplied by others) suitable for the mounting surface.

REQUIRED  
HARDWARE:



1X

M3 PANHEAD SCREW  
(supplied by others)



## 1.B. SURFACE MOUNT BRACKET

**NOTE:** If installing CLIP MOUNT BRACKET refer to Step 1.A.

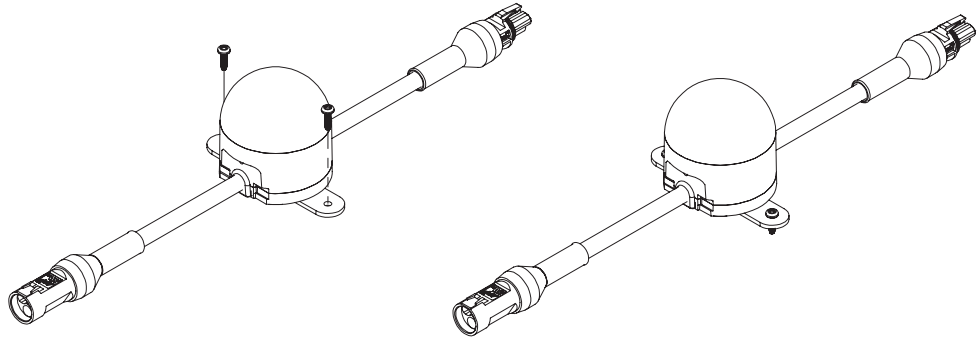
Install SURFACE MOUNT BRACKET using M3 Panhead Screws (supplied by others) suitable for the mounting surface.

REQUIRED  
HARDWARE:



2X

M3 PANHEAD SCREW  
(supplied by others)



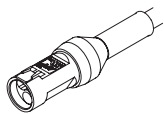
## 2 CABLE CONNECTIONS



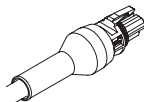
CAUTION

Connectors need to be firmly engaged for the snap to work properly. An audible 'CLICK' will be heard when snap is fully inserted. Failure to connect luminaires correctly may result in fixture malfunction or damage.

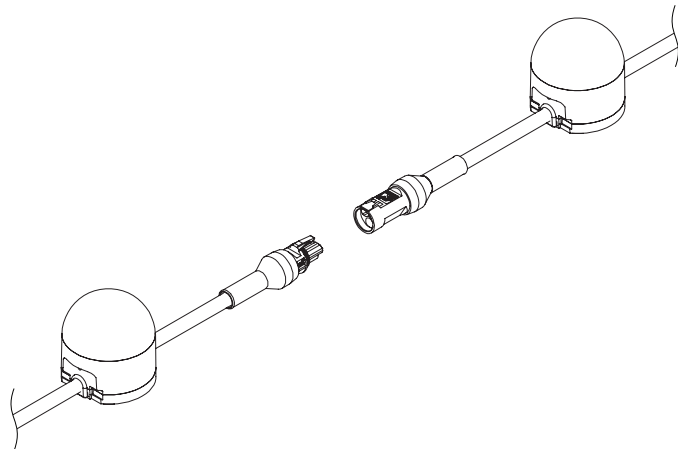
Identify the input / output connectors and engage clips.



INPUT CONNCETOR

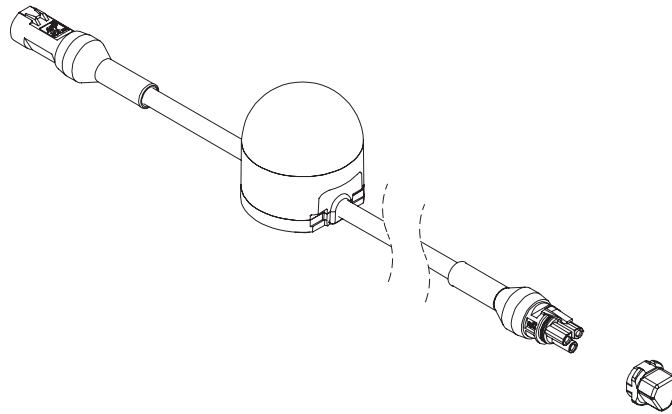


OUTPUT CONNCETOR



### 3 CONNECTOR CAP

Install the connector cap on the end of the line.



### 4 LEADER CABLE

Install the leader cable on the input side of the first string.

