

PS-INF-3/6KW

INFINITY
GVA TECHNOLOGY



GVA
LIGHTING

Power Supply for INFINITY® Lighting Systems

PRODUCT SPECIFICATION SHEET

DESCRIPTION

PS-INF-3/6KW is a state-of-the-art, high-power-density, indoor-rated power supply designed by GVA Lighting for INFINITY® circuits. It accepts a broad range of input voltages and delivers up to 6 kW of power from a compact and robust form factor. The PS-INF-3/6KW enables circuit lengths of more than 684 m (2,244 ft).

DATE:	
TYPE:	
COMPANY:	
PROJECT:	



KEY FEATURES

- Features GVA Lighting's proprietary INFINITY® Technology
- Power output: 380 V DC, 3 or 6 KW
- High Resistance Mid-Point Ground for added safety
- Wide input voltage range 120~277 V AC, 50/60 Hz, for 1-Phase or Multi-Phase systems
- Surge protection at both AC Input and DC Output
- Built in protection from over-voltage, hot plug-in, inrush current, short circuit and over-temperature
- LED indicators for fault detection and diagnosis

- Power factor >0.99 at >50% load
- Operating temperature -40 to +45°C (-40 to +113°F)
- Input and output terminal blocks for convenient electrical connections
- Easy to install using four mounting holes
- Designed to fit into 19" rack cabinets, adaptive hardware available upon request
- 5-year limited warranty

PS-INF-3/6KW

INFINITY[®]
GVA TECHNOLOGY



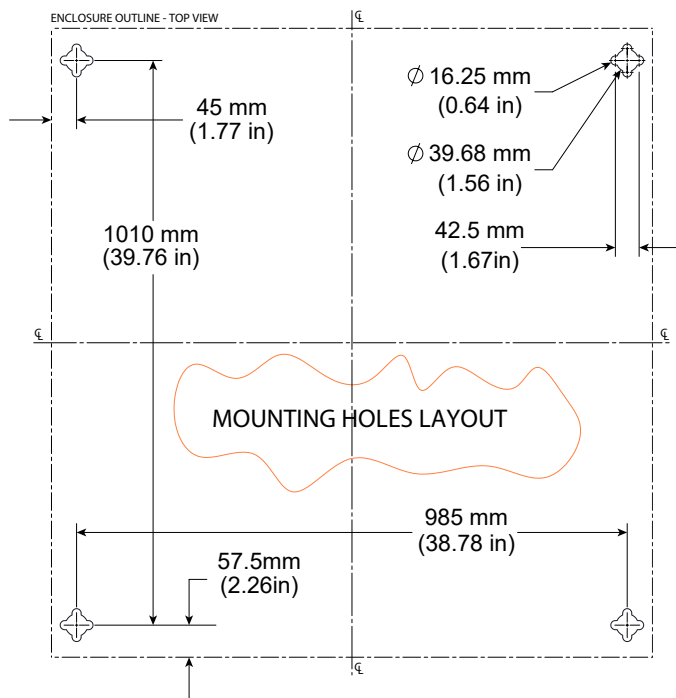
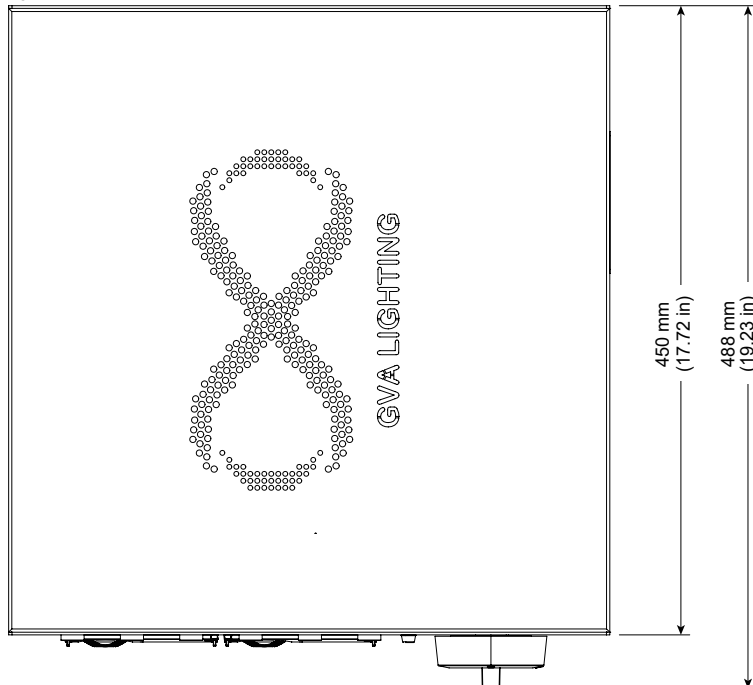
GVA
LIGHTING

Power Supply for INFINITY[®] Lighting Systems

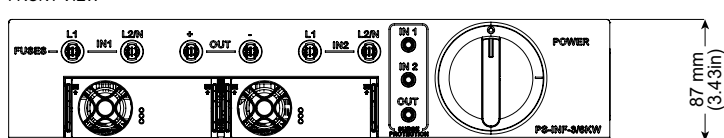
PRODUCT SPECIFICATION SHEET

DIMENSIONS

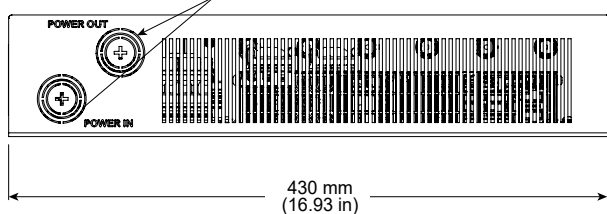
TOP VIEW



FRONT VIEW



REAR VIEW CUTOUTS FIT 16(1/2"), 21(3/4") AND 27(1") CONDUITS



PS-INF-3/6KW

INFINITY[®]
GVA TECHNOLOGY



GVA
LIGHTING

Power Supply for INFINITY[®] Lighting Systems

PRODUCT SPECIFICATION SHEET

PRODUCT SPECIFICATION

ELECTRICAL	RATED INPUT VOLTAGE / FREQUENCY	120~277 V AC / 50/60 Hz		
	POWER FACTOR	> 0.99 at 50% load or more		
	EFFICIENCY @ 230 V AC	> 96.2%		
	OUTPUT VOLTAGE	380 V DC nominal		
	OUTPUT POWER (MAXIMUM)¹	208~277 V AC Input	3000 / 6000 W	
		120 V AC Input	1700 / 3400 W	
	CURRENT SHARING (10-100% LOAD)	+/-5% of maximum current		
	STATIC VOLTAGE REGULATION (10-100% LOAD)	+/-0.5%		
	DYNAMIC VOLTAGE REGULATION	+/-5% for 10-50% or 50-10% load variation, regulation time < 25 ms		
	HOLDUP TIME	> 20 ms, Vo>300Vdc at 1500W load		
	RIPPLE	< 1000 mVP-P , 30 MHz bandwidth		
SURGE PROTECTION - INPUT & OUTPUT	Type 2, In 20kA (8/20 μ s)			
PHYSICAL	LENGTH X WIDTH X HEIGHT MM (IN)	450 x 430 x 87 (17.72 x 16.93 x 3.43)		
	WEIGHT KG (LBS)	17 (37.5)		
	HOUSING	14 Gauge cold rolled steel, black powder coat		
	FIXTURE CONNECTIONS	AC-IN	Terminal Block, to fit 3 x 14~8 AWG (3 x 2~8 mm ²)	
		DC-OUT	Terminal Block, to fit 3 x 16~8 AWG (3 x 1.3~8 mm ²)	
	COOLING	Natural & forced convection		
	ACOUSTIC NOISE - NOMINAL INPUT, FULL LOAD	for 3KW <40dBA@Tamb<25°C/<58dBA@Tamb>40°C / for 6 KW <43dBA@Tamb<25°C/<61dBA@Tamb>40°C		
	OPERATING TEMPERATURE	-40 to +45°C (-40 to +113°F1), Humidity 5~95% RH non-condensing		
	STORAGE TEMPERATURE	-40 to +85°C (-40 to +185°F), Humidity 0~99% RH non-condensing		
INGRESS PROTECTION	IP30			
CERTIFICATION & SAFETY	CONSTRUCTED TO MEET REQUIREMENTS OUTLINED IN UL 60950 & 8750	CE, ROHS		

SPECIFICATION LOGIC

G20488 - POWER SUPPLY, PS-INF-3KW, 1-MODULE, 120/(208-240)/277VAC, IP30

G20491 - POWER SUPPLY, PS-INF-6KW, 2-MODULE, 120/(208-240)/277VAC, IP30

1. Output power de-rates linearly from 3000W @ 40°C (104°F) to 2600W @ 45°C (113°F) or from 6000W @ 40°C (104°F) to 5200W @ 45°C (113°F).

PS-INF-3/6KW

INFINITY
GVA TECHNOLOGY



GVA
LIGHTING

Power Supply for INFINITY® Lighting Systems

PRODUCT SPECIFICATION SHEET

TYPICAL SYSTEM DIAGRAM

