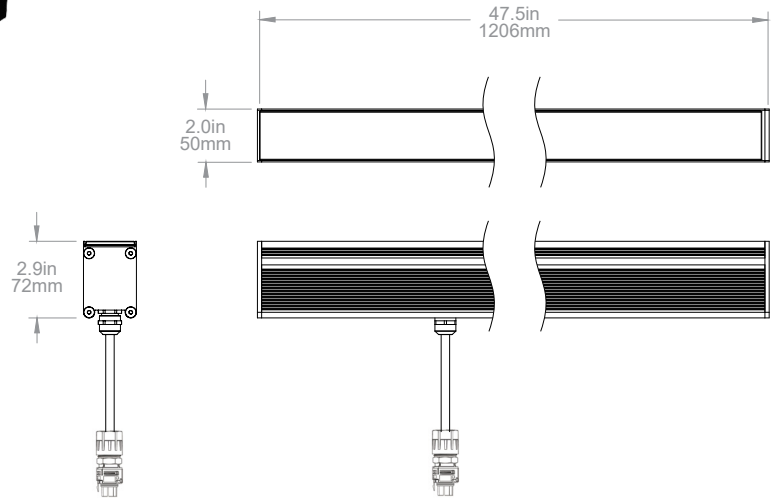


Monochromatic Linear Wall Washing and Grazing LED Lighting

PRODUCT SPECIFICATION SHEET

DATE:	
TYPE:	
COMPANY:	
PROJECT:	



FEATURES:

Lighting Performance:

- Up to 6,600 delivered lumens/meter (2,000 lumens/foot)
- Superior quality of white light with excellent LED to LED color consistency
- Diffusing optical film creates uniform light output immediately adjacent to luminaire

Mechanical Details:

- Compact size, only 47.48in (1206mm) length x 1.96in (50mm) width x 2.85in (72mm) height
- Extruded aluminum body
- 4mm, optically clear tempered glass lens (no yellowing over time)
- IP66 rated with proprietary sealing process
- Certified for 3G ANSI C136.31-2010 Vibration standard for Bridge and Overpass Applications
- 5 pin snap-in input connector, IP68 rated
- Integrated Class 2 LED drivers

Control: 0-10V dimming

Projected Lifetime: L70 > 150,000hrs @ t_a=25°C (77°F)

Operating Temperatures: -40°C to +40°C (-40°F to 104°F)

OPTIONS:

Power Source: 120-277 VAC

Power Options: 10W, 15W, 20W or 25W per 300mm (1ft)

Nominal Length: 1200mm (4ft)

Beam Distribution: Range of round and elliptical beam angles available, please consult factory

Body Color: Clear matte or black matte anodized

Accessories: Mounting brackets

LED Color: Custom LED color combinations available, please consult factory

SPECIFICATION LOGIC: STR9[®]W

FAMILY	NOMINAL LENGTH (mm)	BODY COLOR	POWER PER FT	LED COLOR	OPTICS	INPUT VOLTAGE
STR9W	1200	CM BM	10W 15W 20W 25W	2200K 2700K 3000K 3500K 4000K 5000K 6500K RD - Red GR - Green BL - Blue RB - Royal Blue AM - Amber	10 - 10°x10° 30 - 30°x30° 60 - 60°x60° 80 - 80°x80° 10x30 - 10°x30° 10x60 - 10°x60° 30x60 - 30°x60° Other distributions available; consult factory.	AC - 120~277VAC

PRODUCT CONFIGURATION

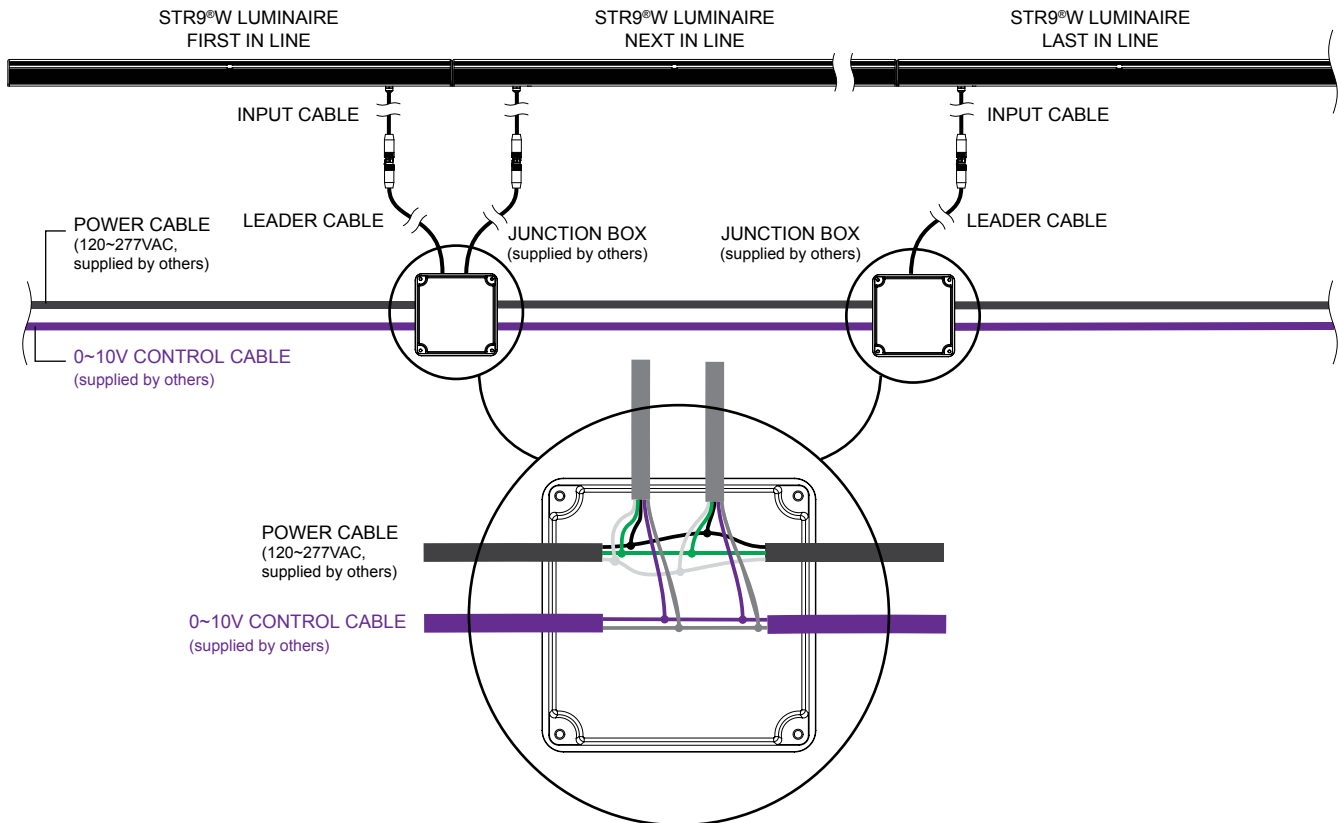
--	--	--	--	--	--	--

Monochromatic Linear Wall Washing and Grazing LED Lighting

PRODUCT SPECIFICATION SHEET

PRODUCT SPECIFICATIONS: STR9 [®] W				
Electrical	Rated Input Voltage	120-277 VAC		
	Power Consumption	10W		
		15W		
		20W		
25W				
Optical ¹	Light Source	8 x High Power LEDs per 1ft (300mm)		
	Color Consistency	3 step MacAdam ellipse		
	CCT	3000K, 2200K, 2700K, 3000K, 3500K, 4000K, 5000K, 6500K, AM, RD, GR, BL, RB		
	CRI	Minimum 80		
	Delivered lumens (typical)	Input Voltage	Minimum Luminous Flux (lm/ft)	
		10W	830 lm	
		15W	1230 lm	
		20W	1640 lm	
25W		2025 lm		
Beam Angle (FWHM)	10 (10° x 10°), 30 (30°x30°), 60 (60°x60°), 80 (80°x80°), 10x30 (10°x30°), 10x60 (10°x60°), 30x60 (30°x60°)			
Projected Lumen Maintenance	L70 > 150,000hrs @ t _a =25°C (77°F)			
Control	Control Protocol	0~10V		
Physical	Size (WxH)	inches	47.48in length x 1.96in wide x 2.67in high	
		mm	1206mm x 50mm x 68mm	
	Weight	lbs	12.70	
		kg	5.70	
	Housing	Extruded and machined aluminum body, AMMA 611 Class 1 Black Matte Anodized for superior thermal performance and salt spray protection (equivalent to AMMA 2604 powder coating, suitable for 5-year south Florida exposure) Tempered flat glass lens sealed using proprietary process		
	Fixture Connections	5 pin snap-in input connector, IP68 rated		
	Rated Operation Temperature	-40°C to +40°C (-40°F to 104°F)		
	Minimum Starting Temperature	-30°C (-22°F)		
Environment	Dry, Damp or Wet Locations			

TYPICAL SYSTEM DIAGRAM



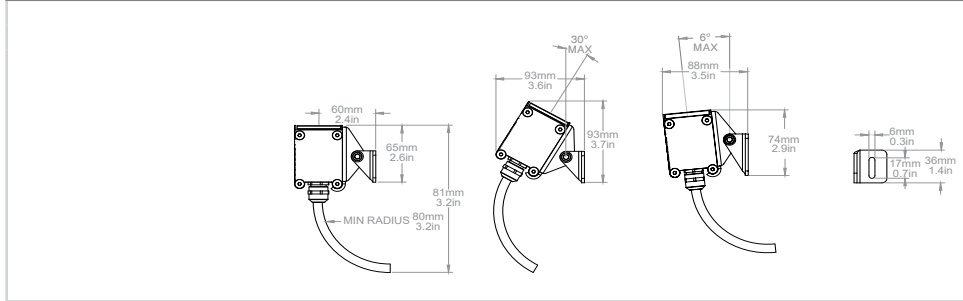
Monochromatic Linear Wall Washing and Grazing LED Lighting

PRODUCT SPECIFICATION SHEET

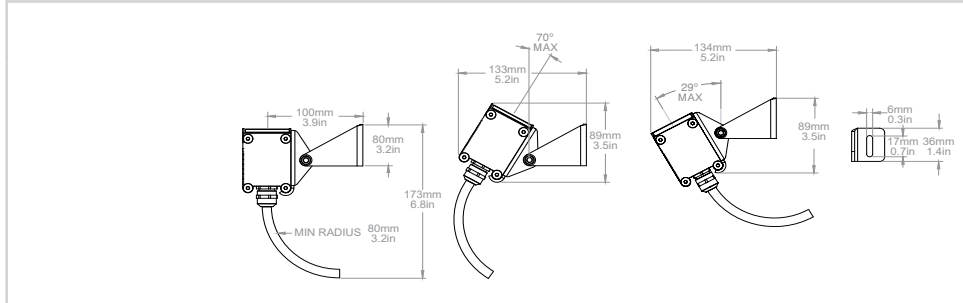
ORDERING LOGIC: STR9® MOUNTING ACCESSORIES

WXX - ADJUSTABLE WALL MOUNT BRACKET KIT

W60 ADJUSTABLE WALL MOUNT

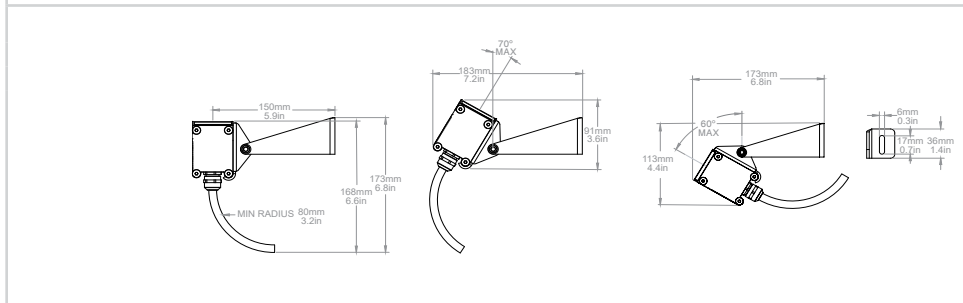


COLOR	PART NUMBER	WEIGHT
Clear Matte Anodized	122962	0.12kg / 0.26lbs
Black Matte Anodized	122963	



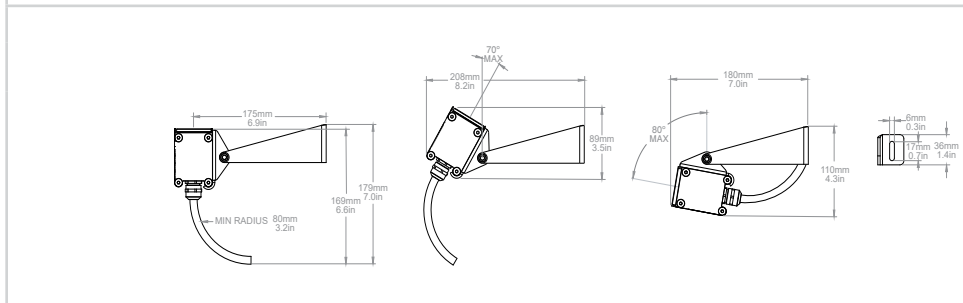
W100 ADJUSTABLE WALL MOUNT

COLOR	PART NUMBER	WEIGHT
Clear Matte Anodized	122964	0.14kg / 0.30lbs
Black Matte Anodized	122965	



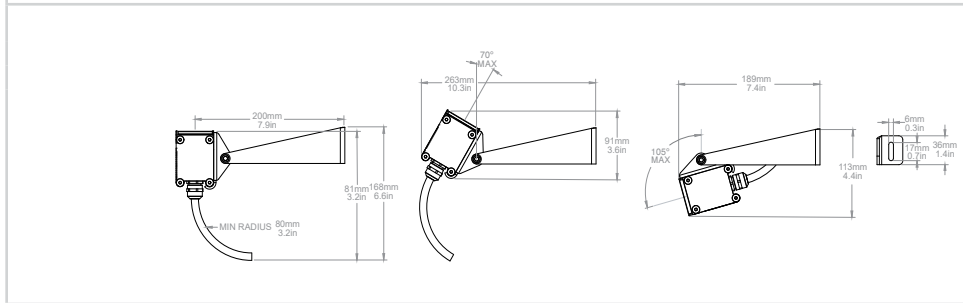
W150 ADJUSTABLE WALL MOUNT

COLOR	PART NUMBER	WEIGHT
Clear Matte Anodized	122966	0.16kg / 0.35lbs
Black Matte Anodized	122967	



W175 ADJUSTABLE WALL MOUNT

COLOR	PART NUMBER	WEIGHT
Clear Matte Anodized	122968	0.17kg / 0.38lbs
Black Matte Anodized	122969	

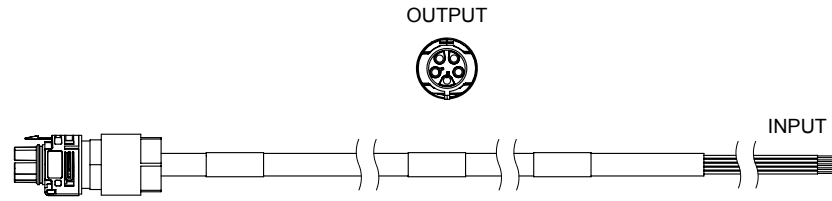


W200 ADJUSTABLE WALL MOUNT

COLOR	PART NUMBER	WEIGHT
Clear Matte Anodized	122970	0.18kg / 0.40lbs
Black Matte Anodized	122971	

ORDERING LOGIC: COMMON COMPONENTS

STR9W LEADER CABLE, AC



PART NUMBER	NOMINAL LENGTH	WEIGHT
141920	1.0 m (3 ft)	0.13 kg / 0.28 lbs
141921	2.0 m (6 ft)	0.24 kg / 0.53 lbs
141922	3.0 m (9 ft)	0.36 kg / 0.79 lbs
141923	4.0 m (13 ft)	0.47 kg / 1.03 lbs
141924	5.0 m (16 ft)	0.58 kg / 1.28 lbs
141925	6.0 m (19 ft)	0.69 kg / 1.52 lbs
141926	7.0 m (22 ft)	0.80 kg / 1.76 lbs
141927	8.0 m (26 ft)	0.92 kg / 2.02 lbs
141928	9.0 m (30 ft)	1.03 kg / 2.27 lbs