

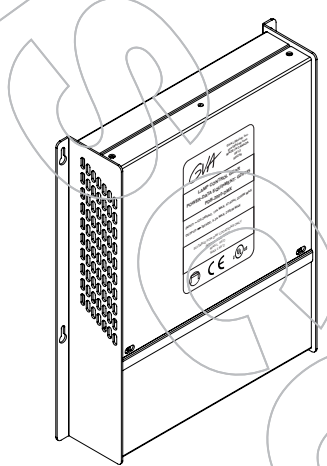
Product Specification Sheet

Date: _____

Type: _____

Company: _____

Project: _____

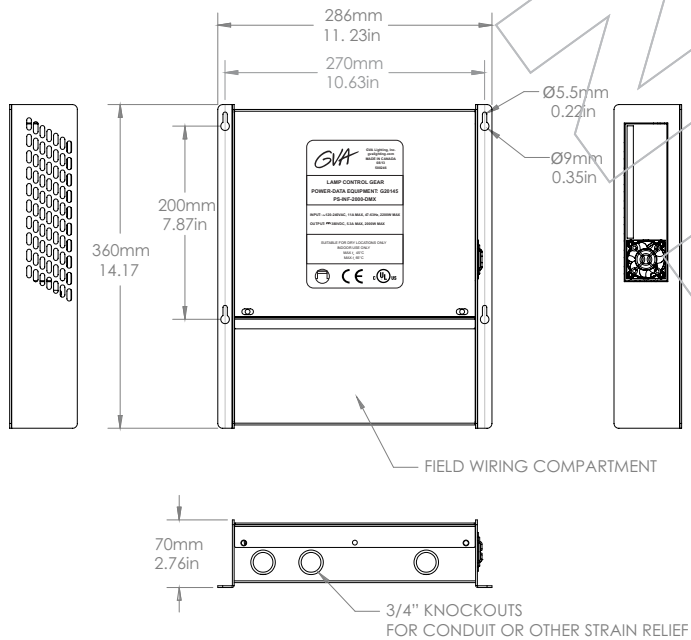


The PS-INF is part of the complete INFINITY® solution for supplying both power and control data to GVA LED luminaires. PS-INF-2000 is a 2000 Watt, 380V DC model with INFINITY® Technology for long-run lighting installations. This unit is installed in conjunction with a remote Power-Data Converter (used to supply control data to Luminaires) or independently when dimming control is not required.

INFINITY proprietary technology was developed for architectural delineation of skyscrapers, bridges, long covers in airports and malls or for wall washing and grazing of long facades. Using INFINITY® technology, one PS-INF-2000 can power up to 366* Highlighter modules or 372ft* of STR9 5W/ft fixtures.

PS-INF-2000 accepts line voltage input 120~240V AC single phase or 208V AC phase-to-phase. PS-INF-2000 features a convenient field wiring compartment where line voltage input and INFINITY® power output can be connected via simple terminal blocks for a clean and quick installation.

Mechanical Drawing



Features

- Proprietary INFINITY® Technology
- INFINITY® Power output: 380V DC
- Wide input voltage range, 220~240VAC, 47-800Hz
- Compact powder coated aluminum enclosure
- Vented for proper thermal management
- Easy to mount with 4 keyhole slots
- Integrated Field wiring compartment for easy connections
- Designed for GVA Lighting INFINITY® products
- 3 Year Limited Warranty

Options

- 208V AC Phase-to-Phase Input

Ordering Information

DESCRIPTION

POWER-SUPPLY, PS-INF-2000, 120/220~240VAC, IP40
 POWER-SUPPLY, PS-INF-2000, 208VAC, IP40

ITEM NUMBER

G20143
 G20144

Product Specifications

Electrical	Input Voltage		120~240V AC Single Phase; 208V AC Phase-to-Phase
	Power Factor	@230VAC	0.95
		@115VAC	0.99
	Inrush Current	@230VAC	3.5A
		@115VAC	2A
	Output Voltage		380V DC nominal (384VDC max.)
	Output Power (max.)	200~264VAC Input	2000W
		120VAC Input	1000W
	Output Current Limit		6A
Control Protocols		No Control	
Physical	Length x Width x Height	mm	360 x 286 x 70
		inches	14.17 x 11.26 x 2.76
	Weight	kg	3.42
		lbs	7.52
	Housing		14ga. Aluminum Black Anodized or Powder Coated
	Fixture Connections	AC-IN	Terminal block
		Data-IN	No Data
		Data-OUT	No Data
		Power-Data OUT	Terminal block
Cooling		Cooling fan assisted	
Environment	Operating Temperature	Full Power	-20 to + 45°C, -4 to +113°F
		Half Power	-20 to +65°C, -4 to +149°F
	Operating Humidity		5%-95% non-condensing
	Storage Temperature		-40 to +85°C, -40 to 185°F
Safety			

Maximum Run Length per Each PS-INF-2000 (300MM/1FT Segments)

Fixture Type		HL-DL	HL-COVE	STR9 5W/FT	STR9 7.5W/FT	STR9 15W/FT
		Input Voltage	220-240VAC	366	366	372
	110VAC	200	200	220	130	65

Figures subject to change
Ratings are for 30°C, de-rating will be used for higher ambient temperatures