

⚠ CAUTION

Do not attempt to install or use Luminaire until you read and understand this installation guide and safety labels.

Luminaires must be installed by a qualified professional in accordance with all national and local electrical and construction codes and regulations.

Ensure that main power supply is **OFF** before installing or wiring Luminaire(s).

Do not exceed the specified voltage and current input.

GVA Luminaires have no serviceable parts. Do not attempt to open the units.

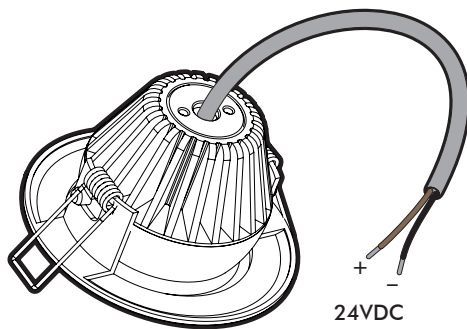
Do not use a luminaire with a damaged lens, body or cable.

Do not hot swap. Ensure power supply is off before connecting or disconnecting fixtures.

Not heeding cautions may result in a hazardous situation which can cause injury or property damage.

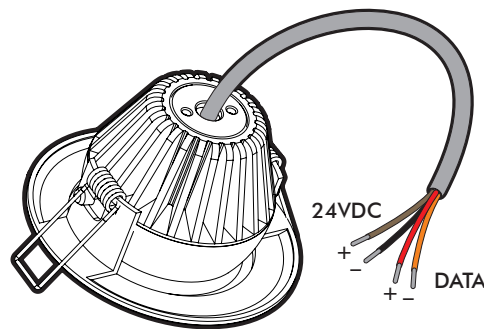
Connecting Luminaires

⚠ DUCAT-IV™ Luminaires require 24VDC ($\pm 3VDC$) Class 2 or limited to 25A Power Supply with Class 2 outputs. If PSU is other than Class 2, provisions must be made to create Class 2 outputs



No Dimming, On/Off Model

standard lead cable length 600mm (24")



DMX Model

standard lead cable length 300mm (12")

⚠ Ensure main power supply is turned OFF before beginning work

Connect Class 2, 24VDC output to power conductors of luminaire : white or brown(+), black(-)

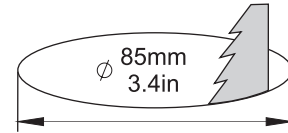
Connect DMX signal to data conductors of luminaire: red(+), orange(-) (DMX models only)

⚠ Do not connect luminaire directly to line voltage

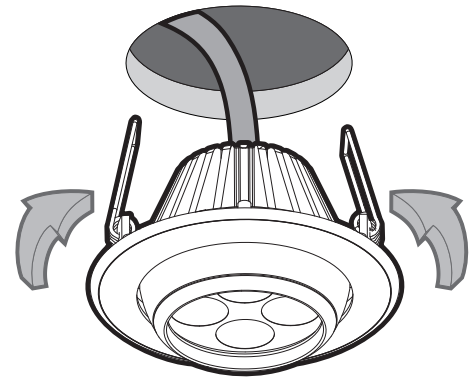
⚠ Do not exceed 100W and 4A in a single circuit

Installing Luminaires

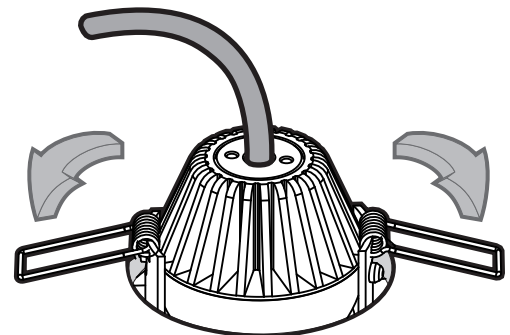
- 1** Cut a hole of diameter 85mm in the mounting surface



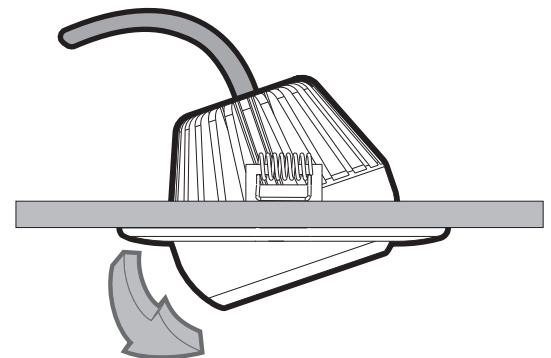
- 2** After electrical connections are made, pull back retaining springs and insert luminaire into mounting hole.



- 3** Insert luminaire fully into mounting hole and allow retaining springs to pull the trim ring flush to the mounting surface.



- 4** Adjust aiming of luminaire for desired lighting effect



Do not cover this luminaire with insulating matting material or similar material