

FL™ LED Projector and Flood Light

Installation Instructions

WARNING

FL Luminaires must be installed by a qualified professional in accordance with NEC and relevant local codes.

Ensure that power supply is off before installing or wiring FL LED Luminaire.

Do not attempt to install or use FL LED Luminaire until you read and understand this instruction manual and safety labels.

CAUTION

Do not exceed the specified voltage and current input.

FL Luminaires have no serviceable parts. Do not attempt to open the units.

Do not use a luminaire with a damaged lens body or cable.

Do not hot swap. Ensure power supply is off before connecting or disconnecting fixtures.

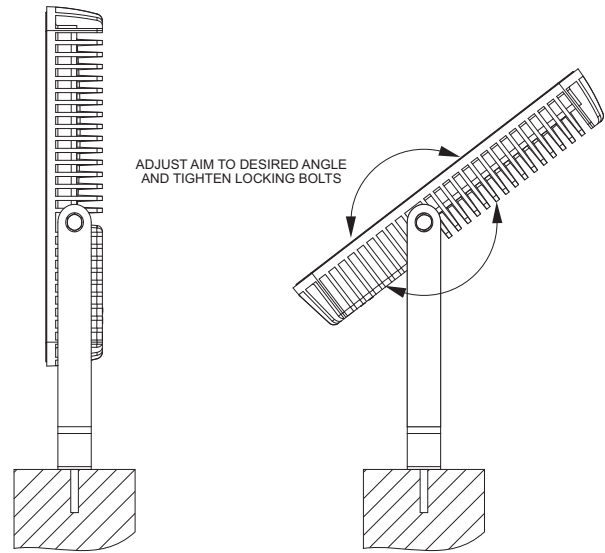
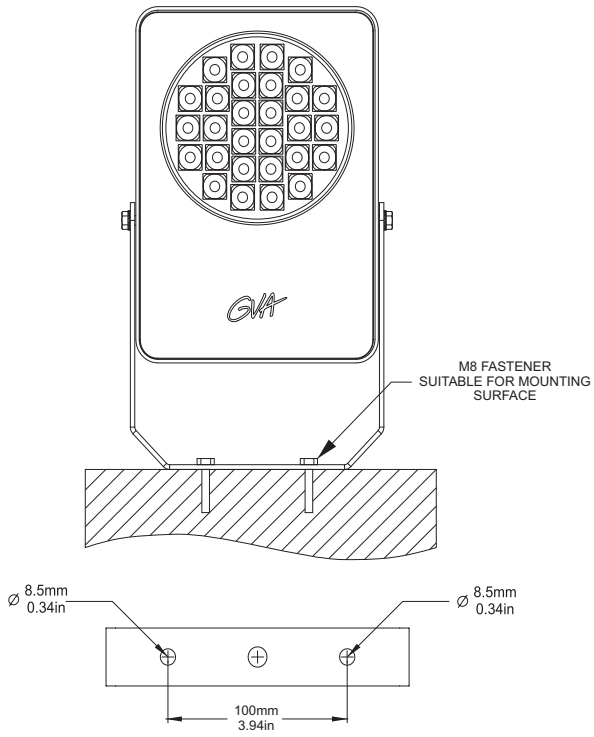
Install according to local and national electric codes.

Make all connections within a suitable waterproof junction box (supplied by others).

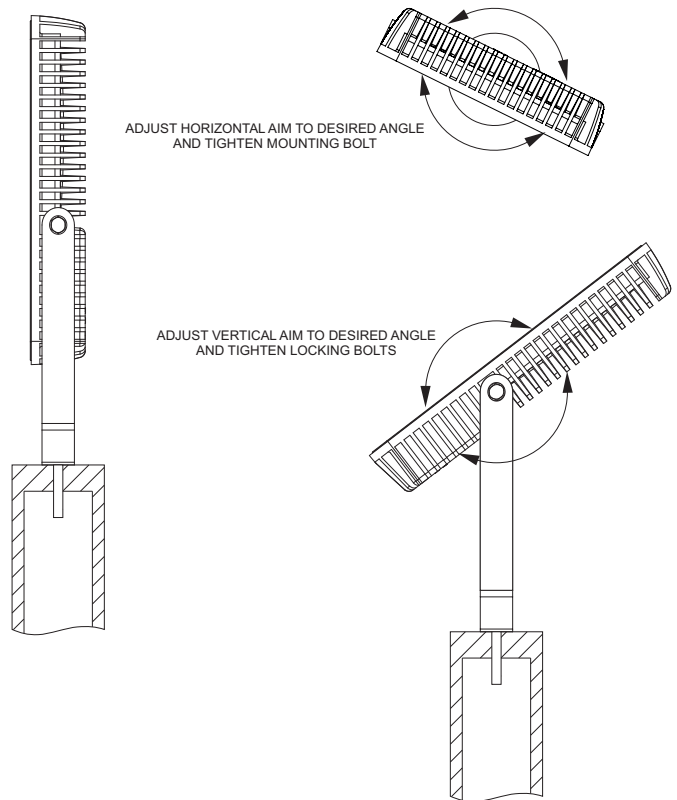
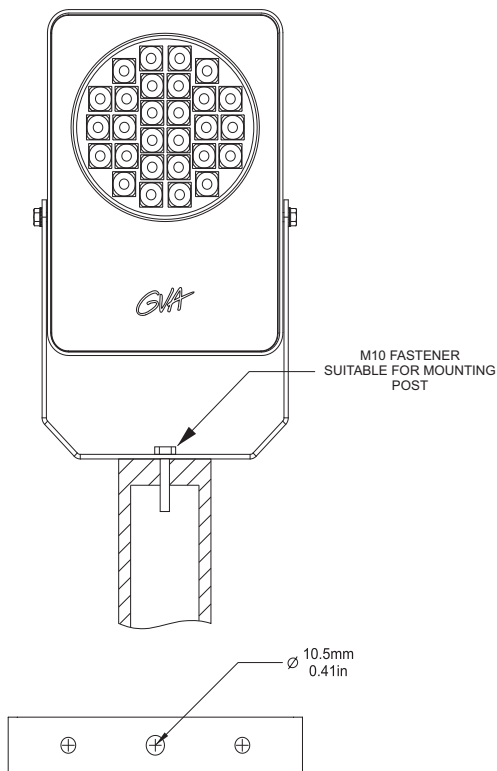
GVA Lighting, Inc. recommends the use of WAGO Service connectors or terminal blocks or solder joints for proper stable installation. (supplied by others)

Ignoring a hazard voids any warranty.

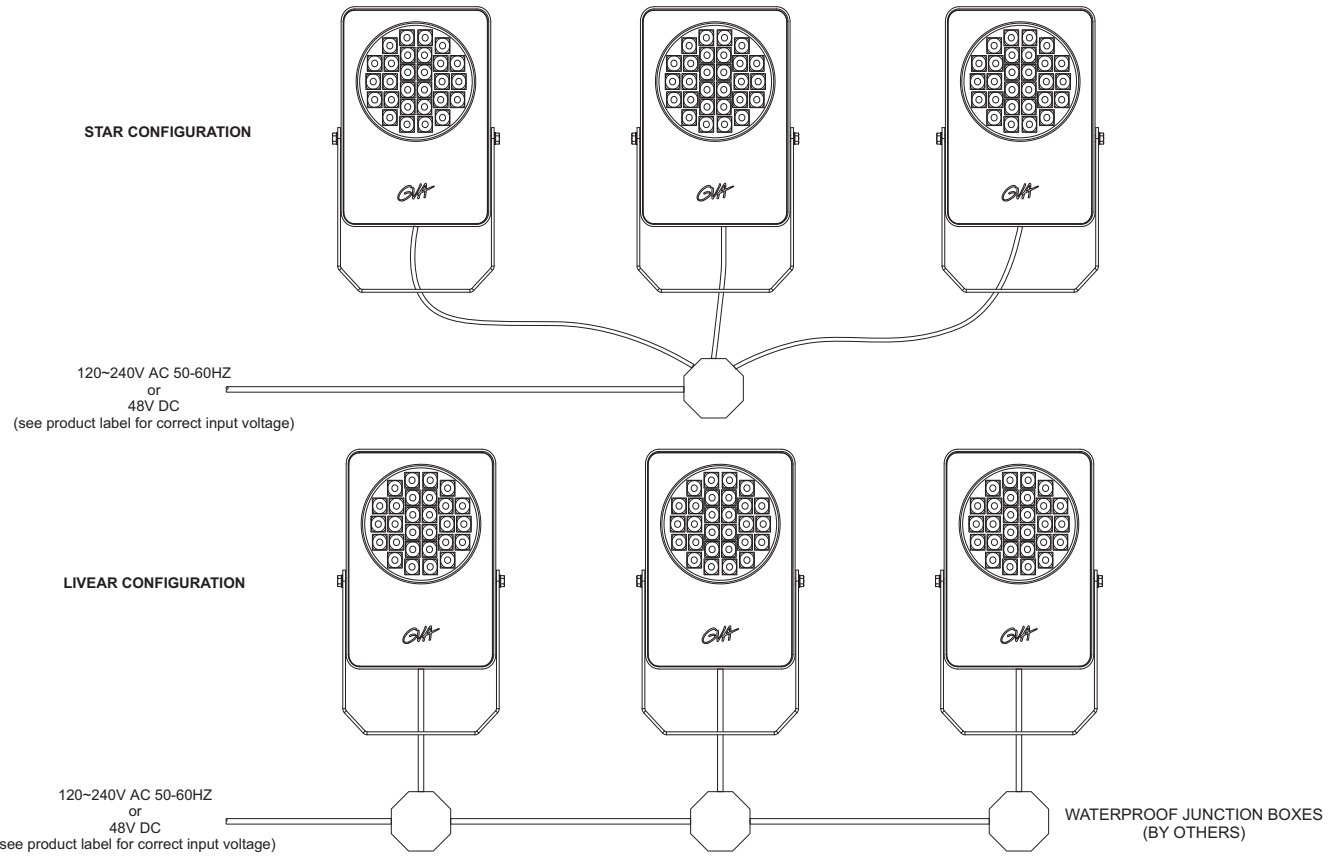
Surface Mounting



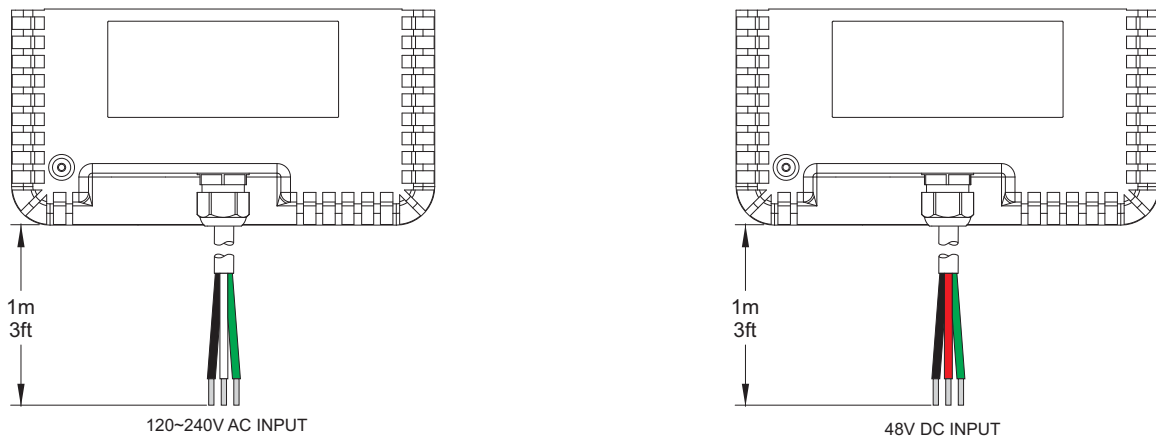
Post Mounting



Layout Configurations - On/Off, No Dimming Version



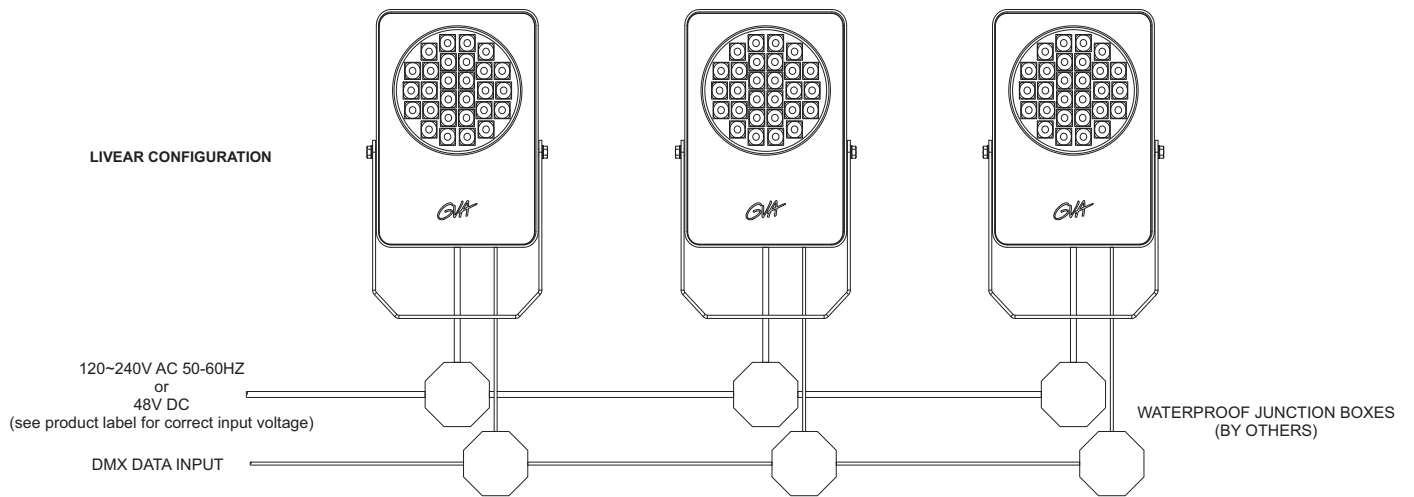
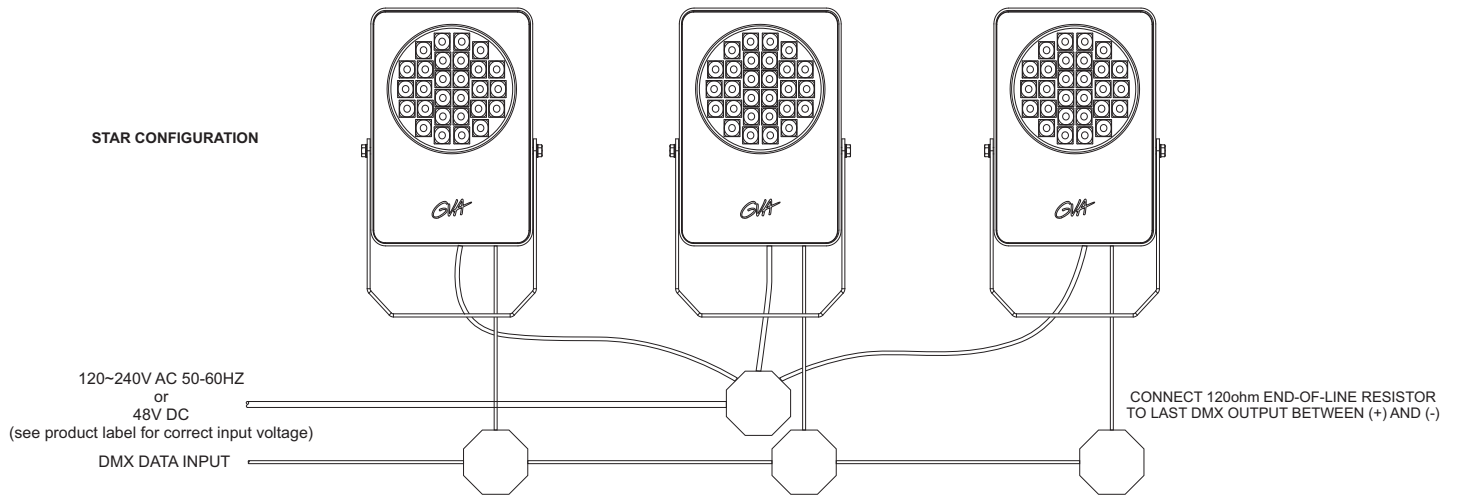
Fixture Conenctions - On/Off, No Dimming Version



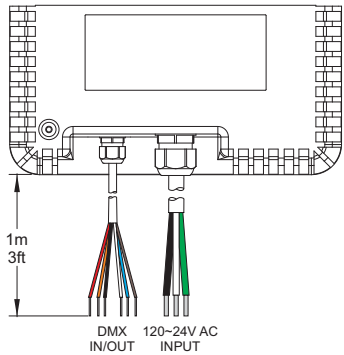
AC FIXTURE	
CONDUCTOR	DESIGNATION
BLACK	LIVE
WHITE	NEUTRAL
GREEN	GROUND

DC FIXTURE	
CONDUCTOR	DESIGNATION
BLACK	(-)48V DC
RED	(+)48V DC
GREEN	GROUND

Layout Configurations - DMX Version

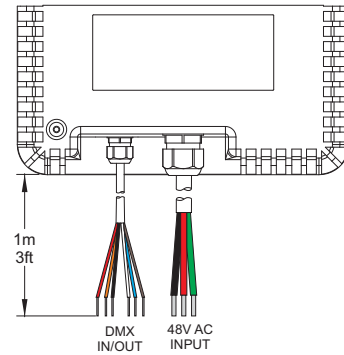


Fixture Connections - DMX Version



AC FIXTURE	
CONDUCTOR	DESIGNATION
BROWN	LIVE
BLUE	NEUTRAL
GREEN/YELLOW	GROUND

DMX INPUT/OUTPUT	
CONDUCTOR	DESIGNATION
RED	DATA + IN
ORANGE	DATA - IN
BLACK	COMMON IN
WHITE	DATA + OUT
BLUE	DATA - OUT
BROWN	COMMON OUT



DC FIXTURE	
CONDUCTOR	DESIGNATION
BLACK	(-)48V DC
RED	(+)48V DC
GREEN	GROUND