

⚠ CAUTION

Do not attempt to install or use Luminaire until you read and understand this installation guide and safety labels.

Luminaires must be installed by a qualified professional in accordance with all national and local electrical and construction codes and regulations.

Ensure that main power supply is **OFF** before installing or wiring Luminaire(s).

Do not exceed the specified voltage and current input.

GVA Luminaires have no serviceable parts. Do not attempt to open the units.

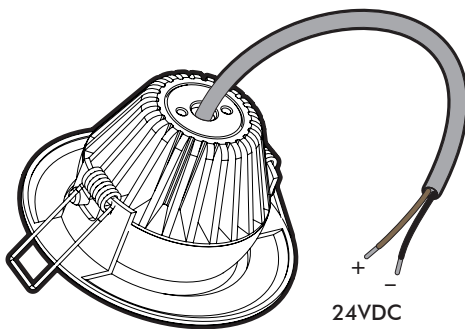
Do not use a luminaire with a damaged lens, body or cable.

Do not hot swap. Ensure power supply is off before connecting or disconnecting fixtures.

Not heeding cautions may result in a hazardous situation which can cause injury or property damage.

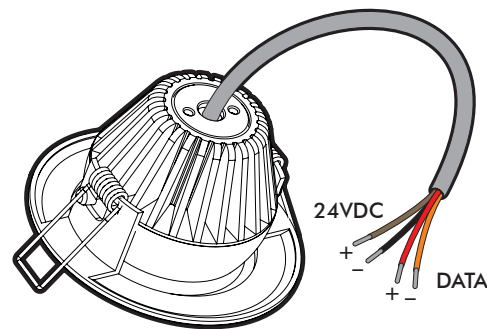
Connecting Luminaires

⚠ KRONA-IV™ Luminaires require 24VDC (± 3 VDC) Class 2 or limited to 25A Power Supply with Class 2 outputs. If PSU is other than Class 2, provisions must be made to create Class 2 outputs



No Dimming, On/Off Model

standard lead cable length 600mm (24")



DMX Model

standard lead cable length 300mm (12")

⚠ Ensure main power supply is turned OFF before beginning work

Connect Class 2, 24VDC output to power conductors of luminaire : white or brown(+), black(-)

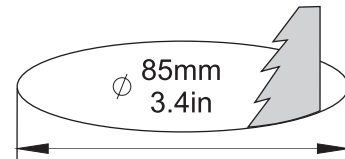
Connect DMX signal to data conductors of luminaire: red(+), orange(-) (DMX models only)

⚠ Do not connect luminaire directly to line voltage

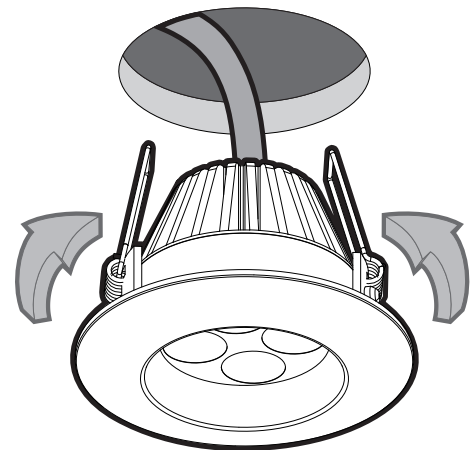
⚠ Do not exceed 100W and 4A in a single circuit

Installing Luminaires

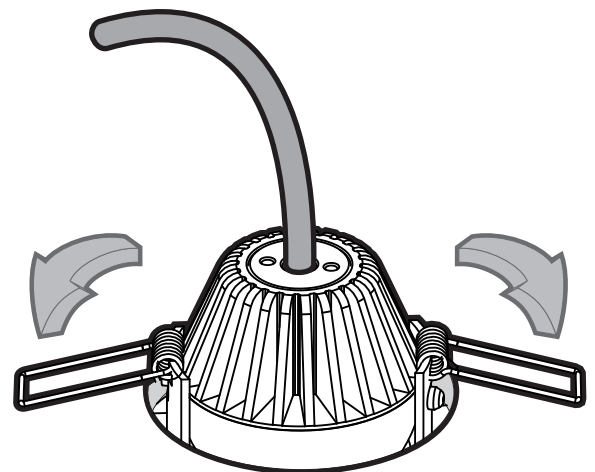
- 1 Cut a hole of diameter 85mm in the mounting surface



- 2 After electrical connections are made, pull back retaining springs and insert luminaire into mounting hole.



- 3 Insert luminaire fully into mounting hole and allow retaining springs to pull the trim ring flush to the mounting surface.



Do not cover this luminaire with insulating matting material or similar material