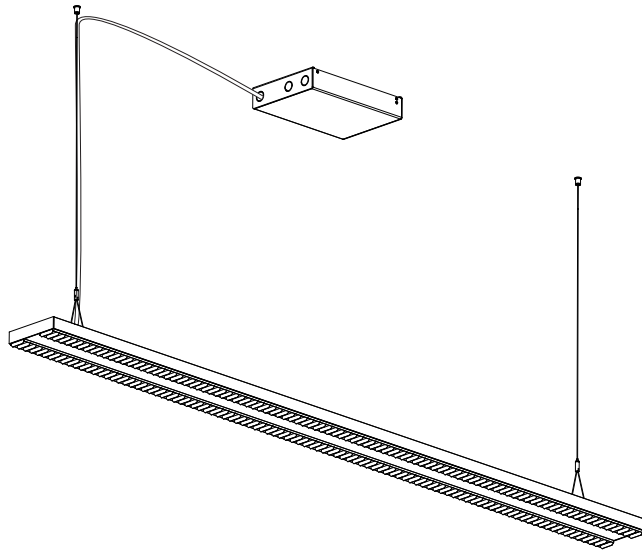


Product Specification Sheet



Date: _____

Type: _____

Company: _____

Project: _____

GEMINI is a high efficiency LED luminaire for retail, commercial, industrial and institutional applications, delivering up to 15,000 lumens @100 lumens per watt. GEMINI also presents a unique option for Data Centers, allowing a direct connection to a 380VDC grid.

GEMINI's small and clean form factor make it an attractive option for any application where aesthetics are imperative. A rated lifetime for >100,000hrs (L70) requires no relamping or replacement for more than 22 years @ 12 hours of operation per day.

GEMINI is 0-10V or DALI compatible, simplifying integration into intelligent control systems. Lumen maintenance, product lifetime and overall system efficiency can be further extended with the use of daylight harvesting systems and occupancy sensors.

Uplight is configurable from 300 up to 3000 lumens and can be a different color temperature than downlight to create unique ambient environments. Louver baffles are optional for glare reduction. Mounting can be either cable suspension or a rigid down rod; both with configurable lengths.

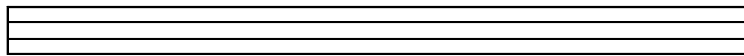
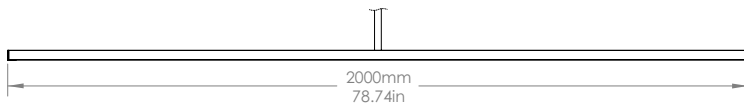
Features

- Efficacy of 100lm/W.
- 12,000+ delivered downlight lumens for 4000K LEDs
- CRI 80+
- Projected lifetime > 100,000hrs @ 23°C, 73°F (L70)
- Clean, compact, linear form factor
- IP44 rated for use in dry or damp locations
- Indoor applications from 0°C to +50°C, 32°F to 122°F
- Extruded aluminum body for superior thermal management
- Diffuse, flame retardant PC lens
- Impact resistant design
- Cool beam, no heat (IR) or UV generated from light source
- 5 year limited warranty

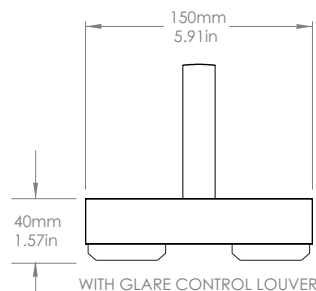
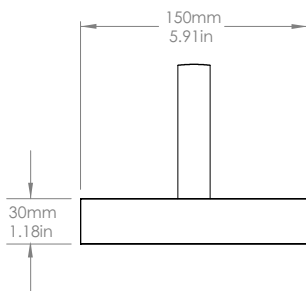
Options

- 6 Color temperatures of white LEDs for downlight and uplight
- Configurable uplight lumens
- Cable suspension kit or rigid down rod mounting
- Glare control louver
- 120~277VAC* or 347VAC* line voltage input for commercial/industrial or 380VDC input for Data Center applications
- 0-10V or DALI control

Mechanical Drawings



WITH GLARE CONTROL LOUVER



WITH GLARE CONTROL LOUVER

Specification Logic

FAMILY	BODY COLOR	DOWNLIGHT LED COLOR	UPLIGHT LUMENS	UPLIGHT LED COLOR	INPUT VOLTAGE	CONTROL	MOUNTING	ACCESSORIES (Optional)
GEM	CM - Clear Matte BM - Black Matte CUSTOM - Specify	D2700K D3000K D3500K D4000K D5000K D6500K	UP0 - No Uplight UP600 - Max. 600lm UP1200 - Max. 1200lm UP1800 - Max. 1800lm UPx - x=Max. Lumens, Specify from 300 to 3000lm in Increments of 300**	U2700K U3000K U3500K U4000K U5000K U6500K	380VDC 120~277VAC* 347VAC*	ND - No Dimming 0-10V - Analog Dimming, Downlight and Uplight Dim Together 1DALI - One DALI Channel, Downlight and Uplight Dim Together 2DALI - Two DALI Channels, Downlight and Uplight Dim Independently**	CB - Cable Suspension DRy - Rigid Down Rod, y=length in mm specify from 300 to 3000mm in increments of 300mm	LVW - Glare Control Louver, White LVB - Glare Control Louver, Black

* Power supply/driver mounted remotely
** Option is available for 380vdc version only, contact factory for lead time

Sample Logic : **GEM-CM-D4000K-UL3000-U2700K-380VDC-2DALI-CB**

Product Configuration

GEM-CM -D5000K -UP1800 -U2700K -120~277VAC -2DALI -DRXXXX -LVW

Product Specifications

GEMINI

Electrical	Rated Input Voltage	Nominal	120~277VAC* or 347VAC* or 380VDC
	Power Consumption (typical)	without uplight	120W
		with uplight	150W
	Rated Current for Circuit	Maximum	1.56A @ 120VAC, 417mA @ 380VDC
Optical	Light Source	Mono color LEDs	
	Luminous Flux (4000K LEDs)	lm	11,500lm MIN, 15,000lm MAX. with 25% uplight
	CRI		80
Control	Control Interface	No Dimming, 0-10V, DALI	
	Fixture Connections	Field wiring terminals at junction box/power supply enclosure	
Physical	Length x Width x Height	mm	2000 x 152 x 30
		inches	78.74 x 5.98 x 1.18
	Weight	kg	8.23
		lbs	18.1
	Module Housing	Extruded aluminum body and flame retardant PC lens	
	Rated Operating Temperature	0°C to +50°C, 32°F to +122°F	
	Rated Lifetime (L70 @ 23°C)	>100,000hrs L70	
Environment	Dry or Damp Locations, IP44		
Certification & Safety	Standards	cULus, CE, ROHS	
	IEC Classification	Class 1 LED luminaire	

These figures are subject to change due to further development and innovations.

* Power supply/driver mounted remotely