



Light efficiency:

47 Lumen/Watt

Light quality:

CRI: 0

Color temperature:

0 K

Output: 4854 lm  
Peak: 98426 cd

Power: 103 W  
48.0V @ 2.14A



Product name:  
**PH-FL100-RGBW40K-OM-ALL  
ON-10-ELV-21.03.17**

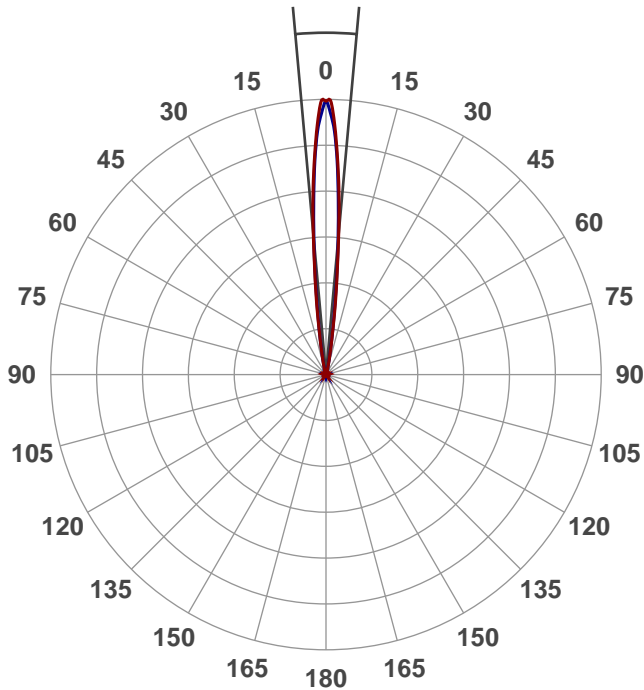
Date and time:  
**3/22/2017 10:02:28 AM**

Additional information:  
**BEAM ANGLE: 10°  
10% Beam Angle: 20.2°**

Beam angle

**10.3°**

6 PLANES

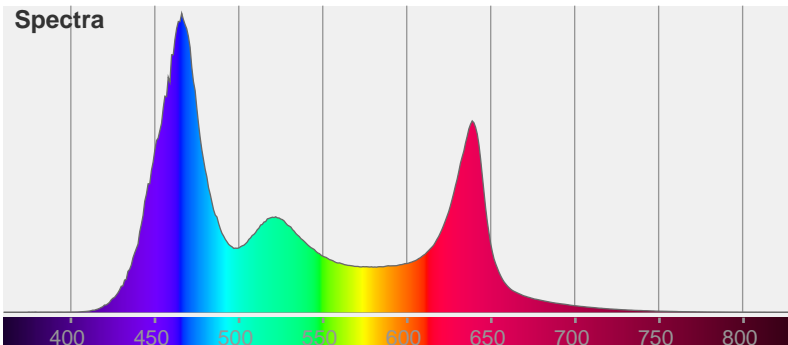


Color

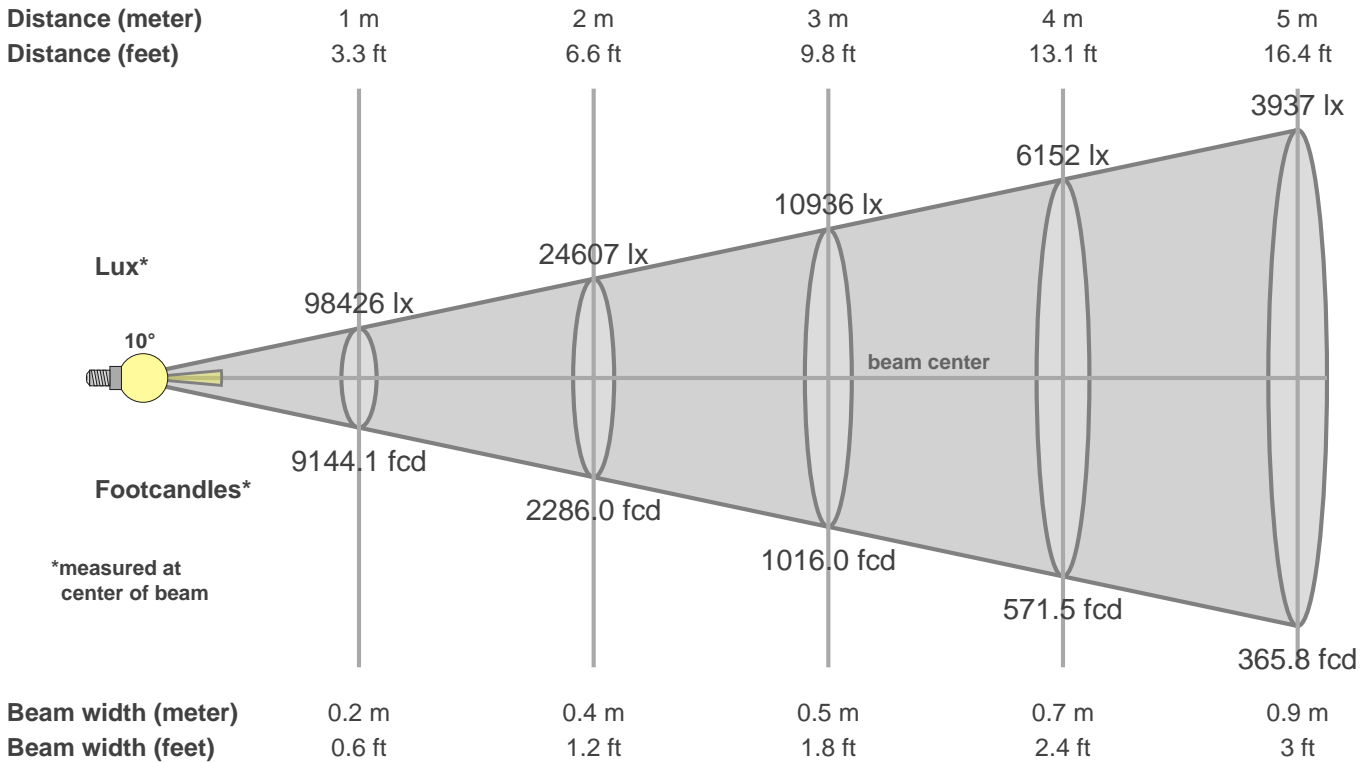


CIE1931  
x: 0.275  
y: 0.249

Spectra







**Intensities in 0° c-plane**

0°	1°	2°	3°	4°	5°	6°	7°	8°	9°	10°	11°	12°	13°	14°	15°	16°	17°	18°	19°
98.4K	98.4K	89.9K	78.5K	66.6K	53.1K	39.6K	29.9K	21.5K	14.4K	10.9K	7.3K	5.5K	4.2K	3.1K	2.6K	2.0K	1.6K	1.4K	1.1K
100%	100%	91%	80%	68%	54%	40%	30%	22%	15%	11%	7%	6%	4%	3%	3%	2%	2%	1%	1%

**Intensities in 90° c-plane**

0°	1°	2°	3°	4°	5°	6°	7°	8°	9°	10°	11°	12°	13°	14°	15°	16°	17°	18°	19°
98.4K	94.0K	87.6K	76.8K	63.3K	50.1K	38.6K	27.6K	19.7K	14.4K	9.6K	7.2K	5.2K	3.8K	3.0K	2.3K	1.9K	1.6K	1.3K	1.1K
100%	95%	89%	78%	64%	51%	39%	28%	20%	15%	10%	7%	5%	4%	3%	2%	2%	2%	1%	1%

**Intensities in 180° c-plane**

0°	1°	2°	3°	4°	5°	6°	7°	8°	9°	10°	11°	12°	13°	14°	15°	16°	17°	18°	19°
98.4K	98.4K	89.9K	78.5K	66.6K	53.1K	39.6K	29.9K	21.5K	14.4K	10.9K	7.3K	5.5K	4.2K	3.1K	2.6K	2.0K	1.6K	1.4K	1.1K
100%	100%	91%	80%	68%	54%	40%	30%	22%	15%	11%	7%	6%	4%	3%	3%	2%	2%	1%	1%

**Intensities in 270° c-plane**

0°	1°	2°	3°	4°	5°	6°	7°	8°	9°	10°	11°	12°	13°	14°	15°	16°	17°	18°	19°
98.4K	94.0K	87.6K	76.8K	63.3K	50.1K	38.6K	27.6K	19.7K	14.4K	9.6K	7.2K	5.2K	3.8K	3.0K	2.3K	1.9K	1.6K	1.3K	1.1K
100%	95%	89%	78%	64%	51%	39%	28%	20%	15%	10%	7%	5%	4%	3%	2%	2%	2%	1%	1%

Beam angle 50%	Field angle 10%	Cutoff angle 2.5%	Intensity ratio in 120° cone	Intensity ratio in 90° cone
10.3°	20.2°	29.9°	97.9%	96.4%