



Light efficiency:



Light quality:



Color temperature:



Output: 5143 lm
Peak: 26559 cd
Power: 103 W
48.0V @ 2.15A



Product name:
PH-FL100-RGBW40K-OM-ALL
ON-20-ELV-27.03.17

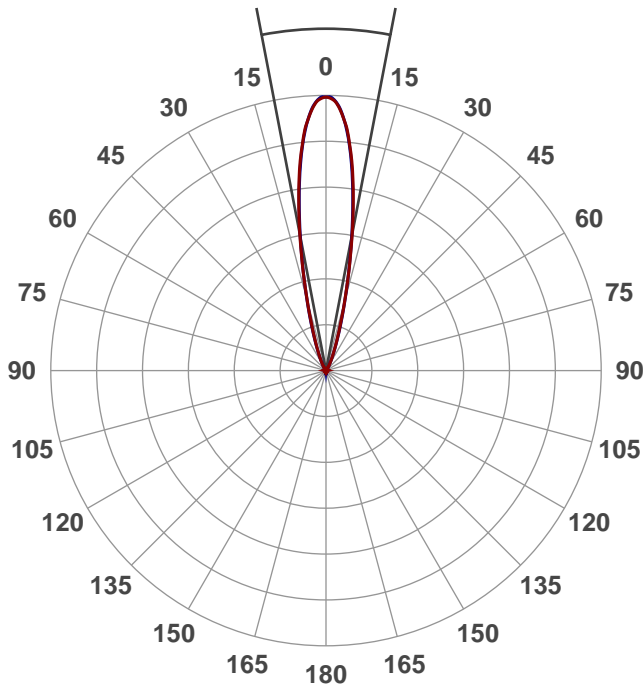
Date and time:
3/27/2017 2:00:10 PM

Additional information:
BEAM ANGLE: 20°
10% Beam Angle: 41°

Beam angle

21.7°

4 PLANES

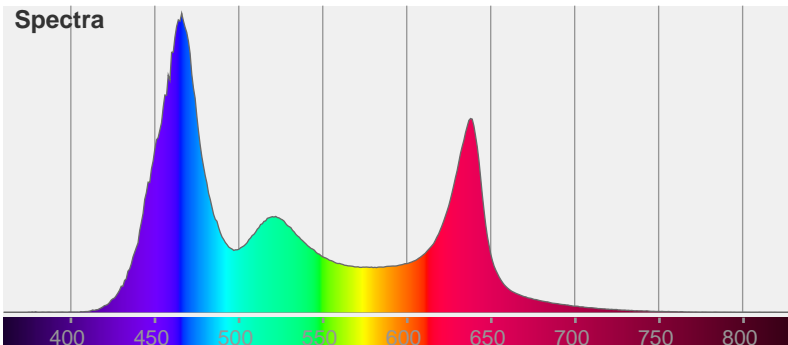


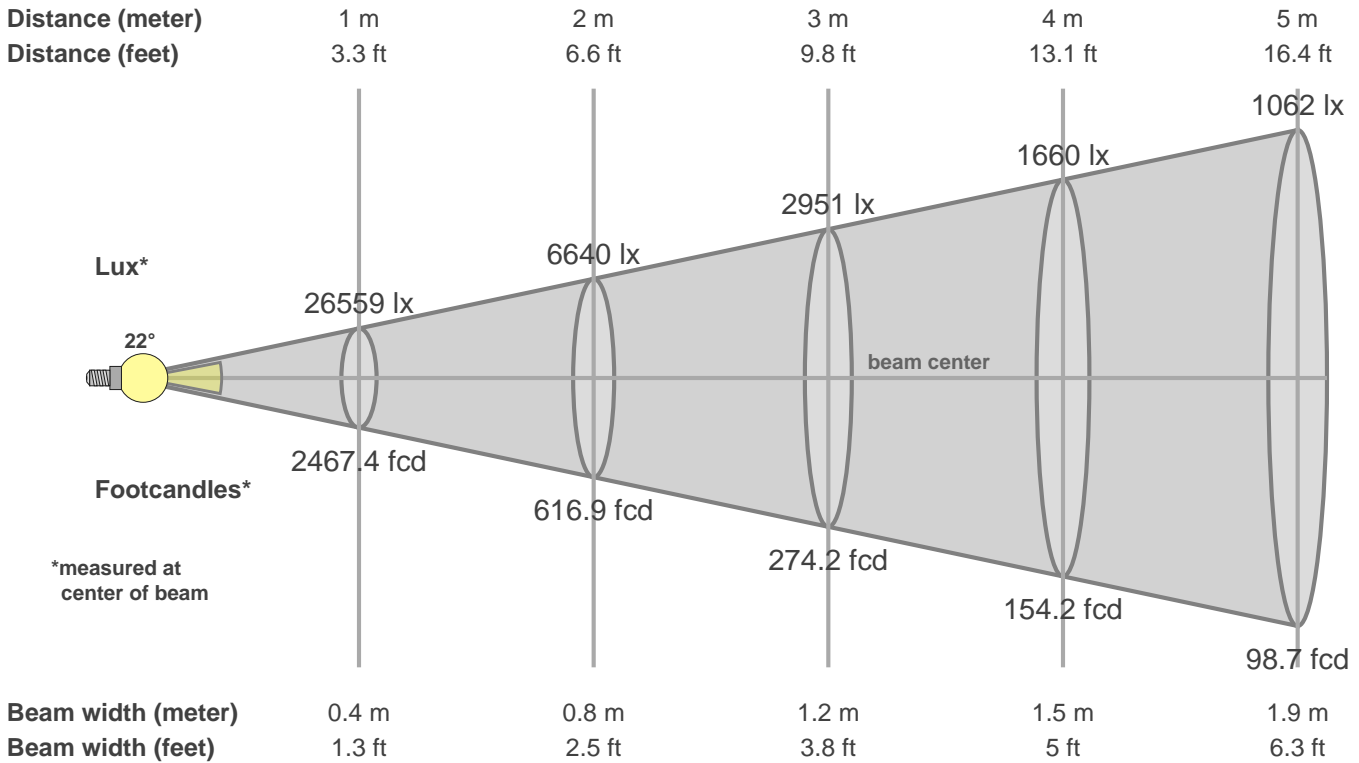
Color



CIE1931
x: 0.276
y: 0.249

Spectra





Intensities in 0° c-plane

0°	2°	4°	6°	8°	10°	12°	14°	16°	18°	20°	22°	24°	26°	28°	30°	32°	34°	36°	38°
26.6K	26.0K	24.4K	21.9K	18.7K	15.0K	11.4K	8.3K	5.9K	4.2K	3.0K	2.1K	1.6K	1.2K	0.9K	0.6K	0.5K	0.4K	0.3K	0.3K
100%	98%	92%	83%	70%	56%	43%	31%	22%	16%	11%	8%	6%	4%	3%	2%	2%	1%	1%	1%

Intensities in 90° c-plane

0°	2°	4°	6°	8°	10°	12°	14°	16°	18°	20°	22°	24°	26°	28°	30°	32°	34°	36°	38°
26.6K	26.1K	24.4K	21.8K	18.4K	14.7K	11.3K	8.3K	6.1K	4.4K	3.1K	2.2K	1.6K	1.1K	0.8K	0.6K	0.5K	0.4K	0.3K	0.2K
100%	98%	92%	82%	69%	55%	42%	31%	23%	16%	12%	8%	6%	4%	3%	2%	2%	1%	1%	1%

Intensities in 180° c-plane

0°	2°	4°	6°	8°	10°	12°	14°	16°	18°	20°	22°	24°	26°	28°	30°	32°	34°	36°	38°
26.6K	26.0K	24.4K	21.9K	18.7K	15.0K	11.4K	8.3K	5.9K	4.2K	3.0K	2.1K	1.6K	1.2K	0.9K	0.6K	0.5K	0.4K	0.3K	0.3K
100%	98%	92%	83%	70%	56%	43%	31%	22%	16%	11%	8%	6%	4%	3%	2%	2%	1%	1%	1%

Intensities in 270° c-plane

0°	2°	4°	6°	8°	10°	12°	14°	16°	18°	20°	22°	24°	26°	28°	30°	32°	34°	36°	38°
26.6K	26.1K	24.4K	21.8K	18.4K	14.7K	11.3K	8.3K	6.1K	4.4K	3.1K	2.2K	1.6K	1.1K	0.8K	0.6K	0.5K	0.4K	0.3K	0.2K
100%	98%	92%	82%	69%	55%	42%	31%	23%	16%	12%	8%	6%	4%	3%	2%	2%	1%	1%	1%

Beam angle 50%	Field angle 10%	Cutoff angle 2.5%	Intensity ratio in 120° cone	Intensity ratio in 90° cone
21.7°	41.3°	58.8°	97.0%	94.5%