



Light efficiency:

45 Lumen/Watt

Light quality:

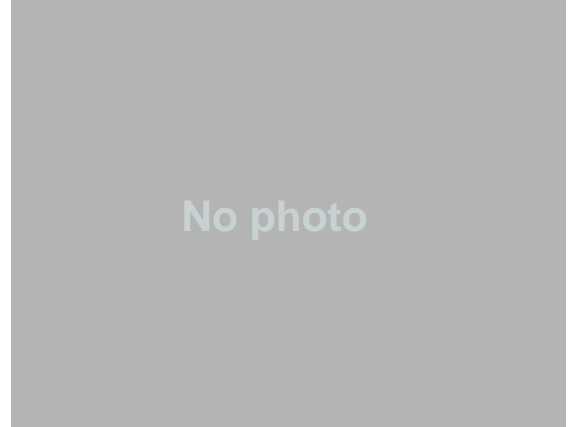
CRI: 0

Color temperature:

0 K

Output: 4756 lm
Peak: 124213 cd

Power: 105 W
48.2V @ 2.18A

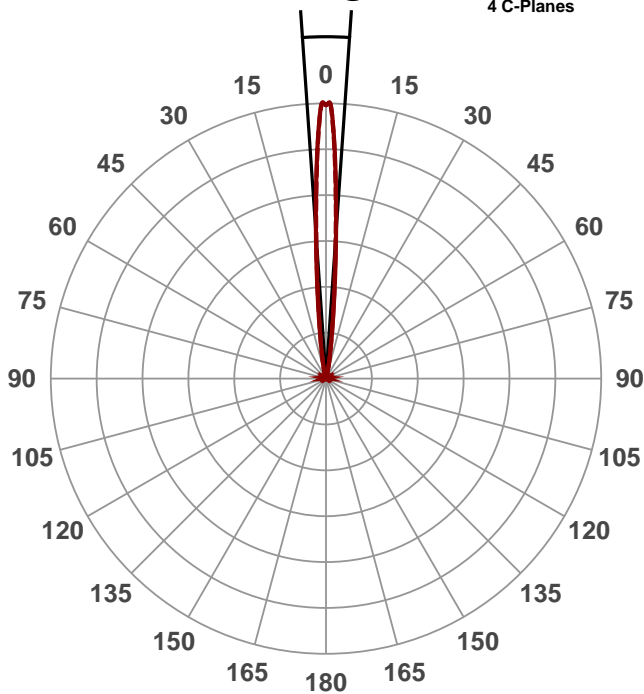


No photo

Beam angle

7.9°

(2 PLANES)
4 C-Planes

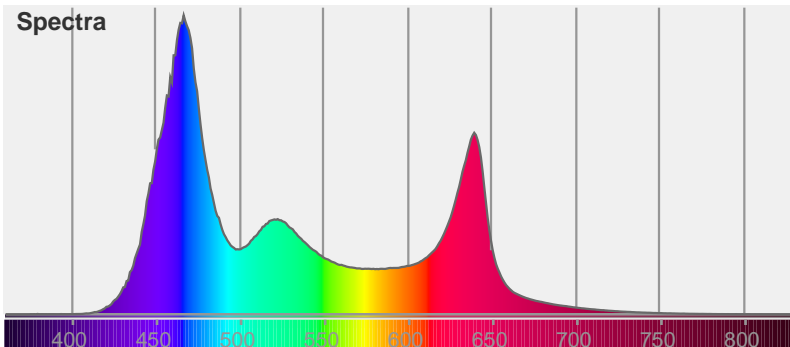


Color



CIE1931
x: 0.272
y: 0.247

Spectra



Product name:

PH-FL100-RGBW40K-OM-ALL
ON-7-ELV-19.12.16

Date and time:

19-Dec-16 6:14:08 PM

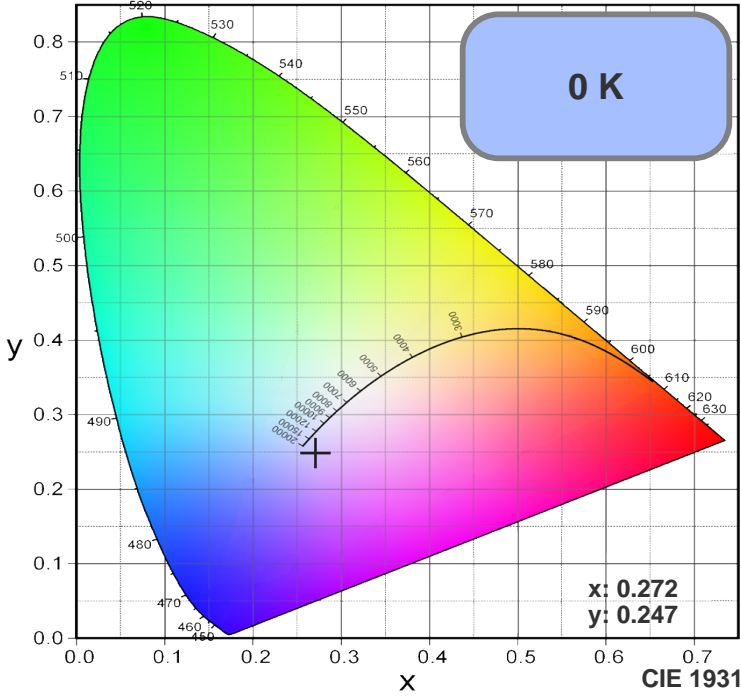
Additional information:

FULL POWER

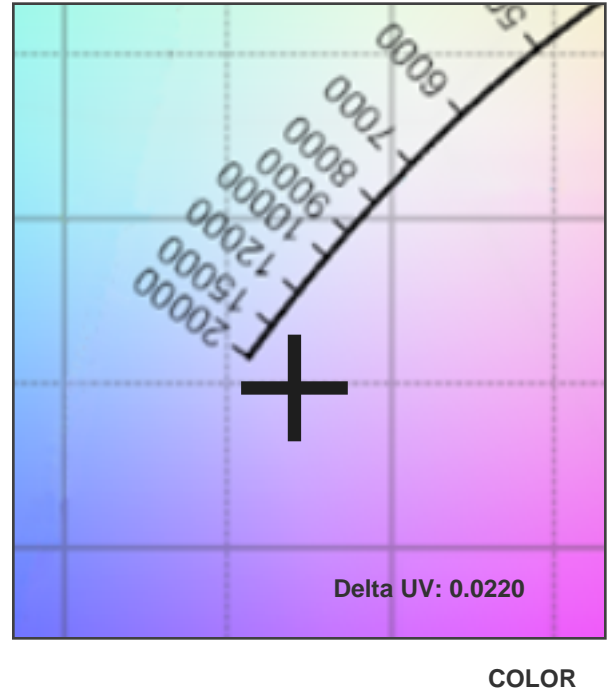
NORMALIZED: YES

DETAILED SCAN

PERFORMED BY: DIMITRI T



TM30: 0.0



CRI: 0.0 (R1-R8)

C1	C2	C3	C4	C5	C6	C7	C8	C9	C10	C11	C12	C13	C14	C15	C16
0	0	0	0	0	0	0	0	0	0	0	0	0	0	0	0

R1	R2	R3	R4	R5	R6	R7	R8	R9	R10	R11	R12	R13	R14	R15
0	0	0	0	0	0	0	0	0	0	0	0	0	0	0

CQS: 0.0

Q1	Q2	Q3	Q4	Q5	Q6	Q7	Q8	Q9	Q10	Q11	Q12	Q13	Q14	Q15
0	0	0	0	0	0	0	0	0	0	0	0	0	0	0

CRI R values, only R1-R8 are used to calculate final CRI value

R1	R2	R3	R4	R5	R6	R7	R8	R9	R10	R11	R12	R13	R14	R15
0.00	0.00	0.00	0.00	0.00	0.00	0.00	0.00	0.00	0.00	0.00	0.00	0.00	0.00	0.00

TM30 C values, 16 binned values out of total of 99 C values

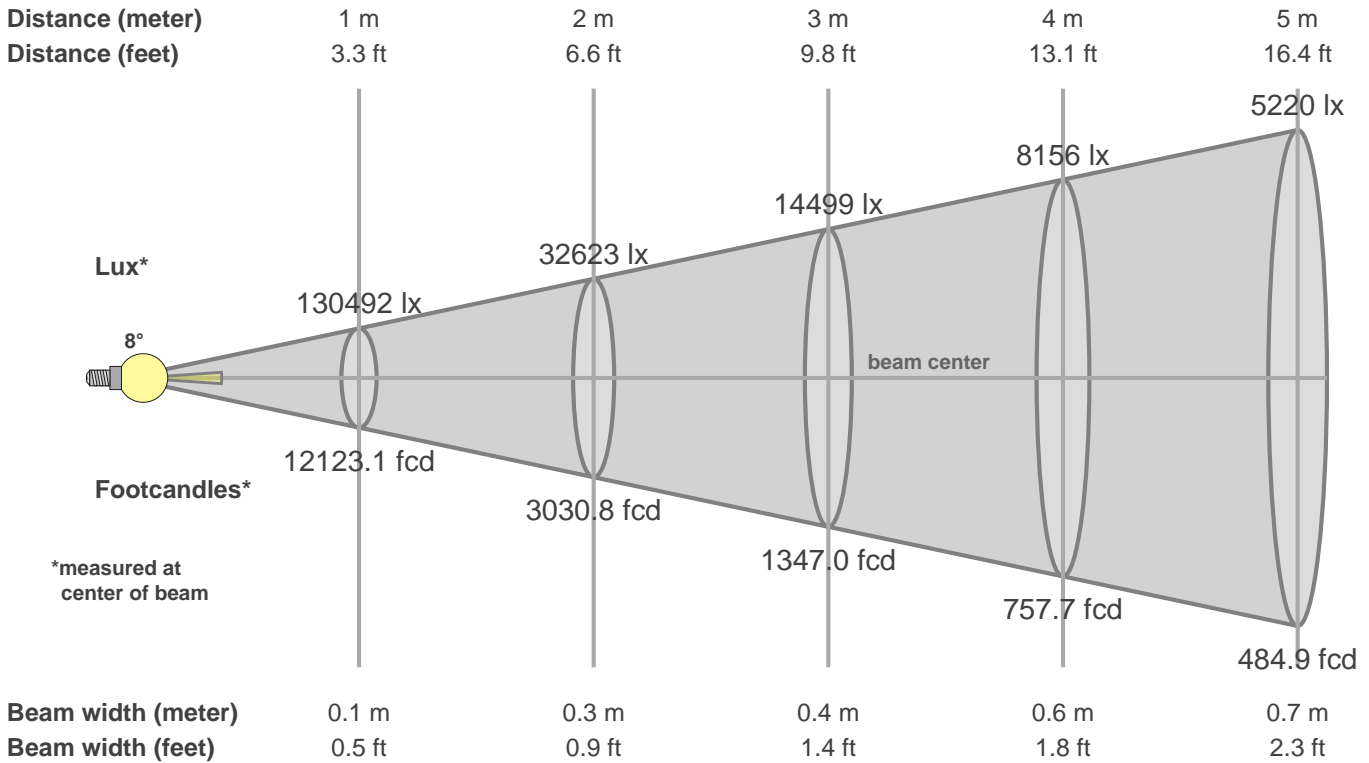
C1	C2	C3	C4	C5	C6	C7	C8	C9	C10	C11	C12	C13	C14	C15	C16
0.00	0.00	0.00	0.00	0.00	0.00	0.00	0.00	0.00	0.00	0.00	0.00	0.00	0.00	0.00	0.00

CQS Q values

Q1	Q2	Q3	Q4	Q5	Q6	Q7	Q8	Q9	Q10	Q11	Q12	Q13	Q14	Q15
0.00	0.00	0.00	0.00	0.00	0.00	0.00	0.00	0.00	0.00	0.00	0.00	0.00	0.00	0.00

Color parameters

CCT	CRI	CRI R9	TM30 Rf	TM30 Rg	CQS	x	y	u	v	Duv
0 K	0.0	0.0	0.0	0.0	0.0	0.3	0.2	0.2	0.3	0.0000



Intensities in 0° c-plane

0°	1°	2°	3°	4°	5°	6°	7°	8°	9°	10°	11°	12°	13°	14°	15°	16°	17°	18°	19°
130K	124K	107K	86K	65K	48K	34K	24K	18K	13K	9K	7K	5K	4K	3K	3K	2K	2K	1K	1K
100%	95%	82%	66%	50%	37%	26%	19%	14%	10%	7%	5%	4%	3%	2%	2%	2%	1%	1%	1%

Intensities in 90° c-plane

0°	1°	2°	3°	4°	5°	6°	7°	8°	9°	10°	11°	12°	13°	14°	15°	16°	17°	18°	19°
130K	124K	106K	84K	63K	46K	33K	24K	17K	12K	9K	7K	5K	4K	3K	3K	2K	2K	1K	1K
100%	95%	82%	65%	48%	35%	25%	18%	13%	9%	7%	5%	4%	3%	2%	2%	2%	1%	1%	1%

Intensities in 180° c-plane

0°	1°	2°	3°	4°	5°	6°	7°	8°	9°	10°	11°	12°	13°	14°	15°	16°	17°	18°	19°
130K	124K	107K	86K	65K	48K	34K	24K	18K	13K	9K	7K	5K	4K	3K	3K	2K	2K	1K	1K
100%	95%	82%	66%	50%	37%	26%	19%	14%	10%	7%	5%	4%	3%	2%	2%	2%	1%	1%	1%

Intensities in 270° c-plane

0°	1°	2°	3°	4°	5°	6°	7°	8°	9°	10°	11°	12°	13°	14°	15°	16°	17°	18°	19°
130K	124K	106K	84K	63K	46K	33K	24K	17K	12K	9K	7K	5K	4K	3K	3K	2K	2K	1K	1K
100%	95%	82%	65%	48%	35%	25%	18%	13%	9%	7%	5%	4%	3%	2%	2%	2%	1%	1%	1%

Beam angle 50%	Field angle 10%	Cutoff angle 2.5%	Intensity ratio in 120° cone	Intensity ratio in 90° cone
7.9°	17.8°	27.9°	98.5%	96.8%