



Light efficiency:

53 Lumen/Watt

Light quality:

CRI: 0

Color temperature:

0 K

Output: 5417 lm

Peak: 3606 cd

Power: 103 W

48.0V @ 2.14A



Product name:

PH-FL100-RGBW40K-OM-ALL
ON-75-ELV-03.04.17

Date and time:

4/3/2017 10:31:20 AM

Additional information:

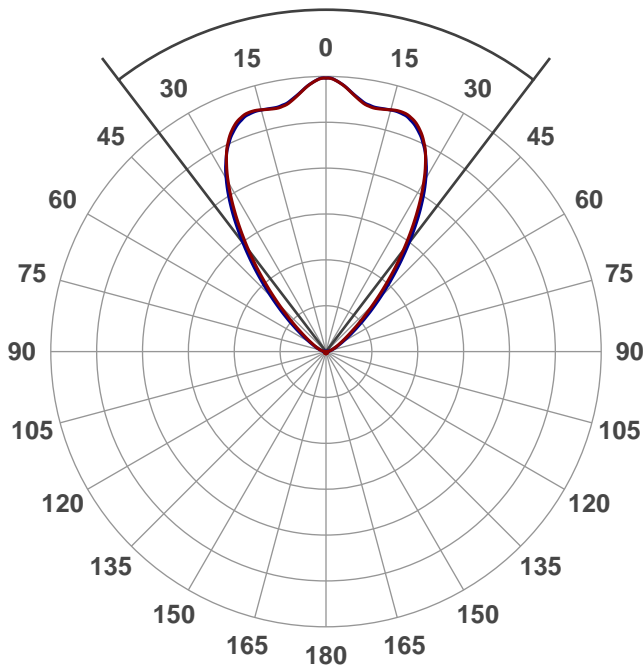
BEAM ANGLE: 75°

10% Beam Angle: 110°

Beam angle

74.7°

14 PLANES

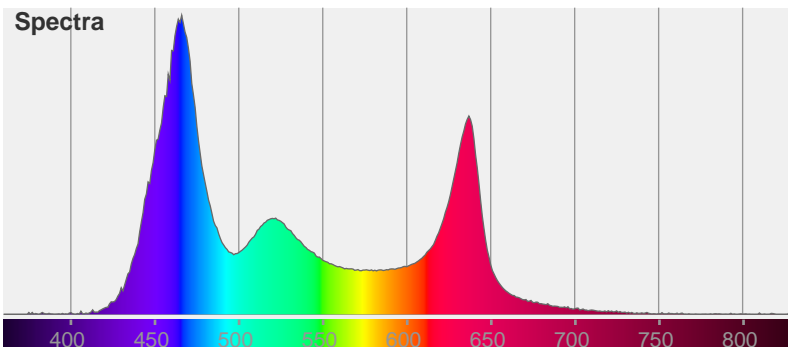


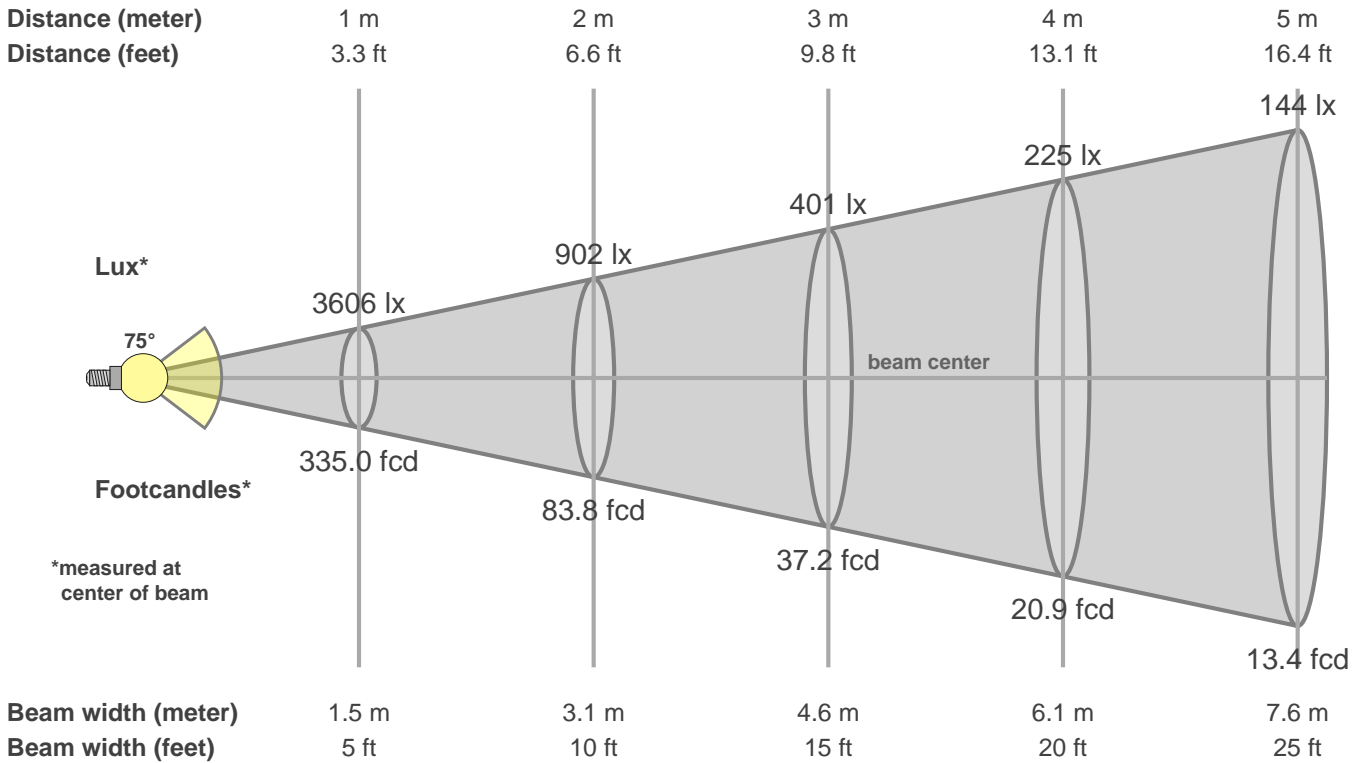
Color



CIE1931
x: 0.277
y: 0.247

Spectra





Intensities in 0° c-plane

0°	5°	10°	15°	20°	25°	30°	35°	40°	45°	50°	55°	60°	65°	70°	75°	80°	85°	90°	95°
3606	3460	3284	3300	3281	3051	2578	1970	1376	875	527	321	207	143	103	68	42	19	12	11
100%	96%	91%	92%	91%	85%	71%	55%	38%	24%	15%	9%	6%	4%	3%	2%	1%	1%	0%	0%

Intensities in 90° c-plane

0°	5°	10°	15°	20°	25°	30°	35°	40°	45°	50°	55°	60°	65°	70°	75°	80°	85°	90°	95°
3606	3465	3300	3297	3251	3030	2630	2080	1508	1018	646	399	247	162	111	73	43	21	12	12
100%	96%	92%	91%	90%	84%	73%	58%	42%	28%	18%	11%	7%	5%	3%	2%	1%	1%	0%	0%

Intensities in 180° c-plane

0°	5°	10°	15°	20°	25°	30°	35°	40°	45°	50°	55°	60°	65°	70°	75°	80°	85°	90°	95°
3606	3460	3284	3300	3281	3051	2578	1970	1376	875	527	321	207	143	103	68	42	19	12	11
100%	96%	91%	92%	91%	85%	71%	55%	38%	24%	15%	9%	6%	4%	3%	2%	1%	1%	0%	0%

Intensities in 270° c-plane

0°	5°	10°	15°	20°	25°	30°	35°	40°	45°	50°	55°	60°	65°	70°	75°	80°	85°	90°	95°
3606	3465	3300	3297	3251	3030	2630	2080	1508	1018	646	399	247	162	111	73	43	21	12	12
100%	96%	92%	91%	90%	84%	73%	58%	42%	28%	18%	11%	7%	5%	3%	2%	1%	1%	0%	0%

Beam angle 50%	Field angle 10%	Cutoff angle 2.5%	Intensity ratio in 120° cone	Intensity ratio in 90° cone
74.7°	110.3°	144.2°	93.4%	81.3%