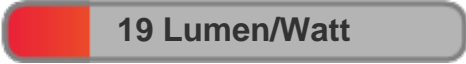




Light efficiency:



Light quality:



Color temperature:



Output: 607 lm
Peak: 12088 cd
Power: 32.6 W
48.0V @ 0.679A



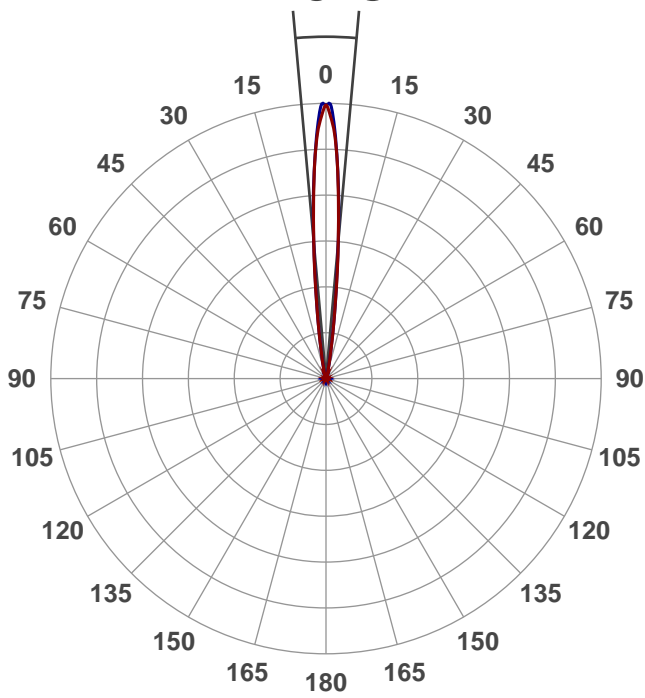
Product name:
PH-FL100-RGBW40K-OM-BLUE-10-ELV

Date and time:
3/22/2017 10:55:56 AM

Additional information:
Beam Angle: 10°
10% Beam Angle: 20°
Peak wavelength: 466 nm

Optical output power: 11.54 W

Beam angle **10.3°** 6 PLANES

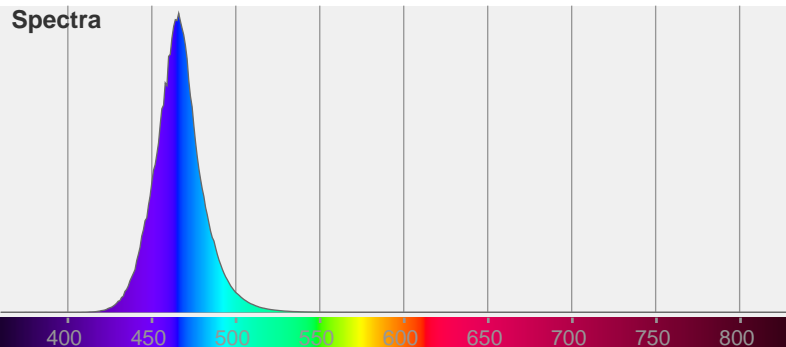


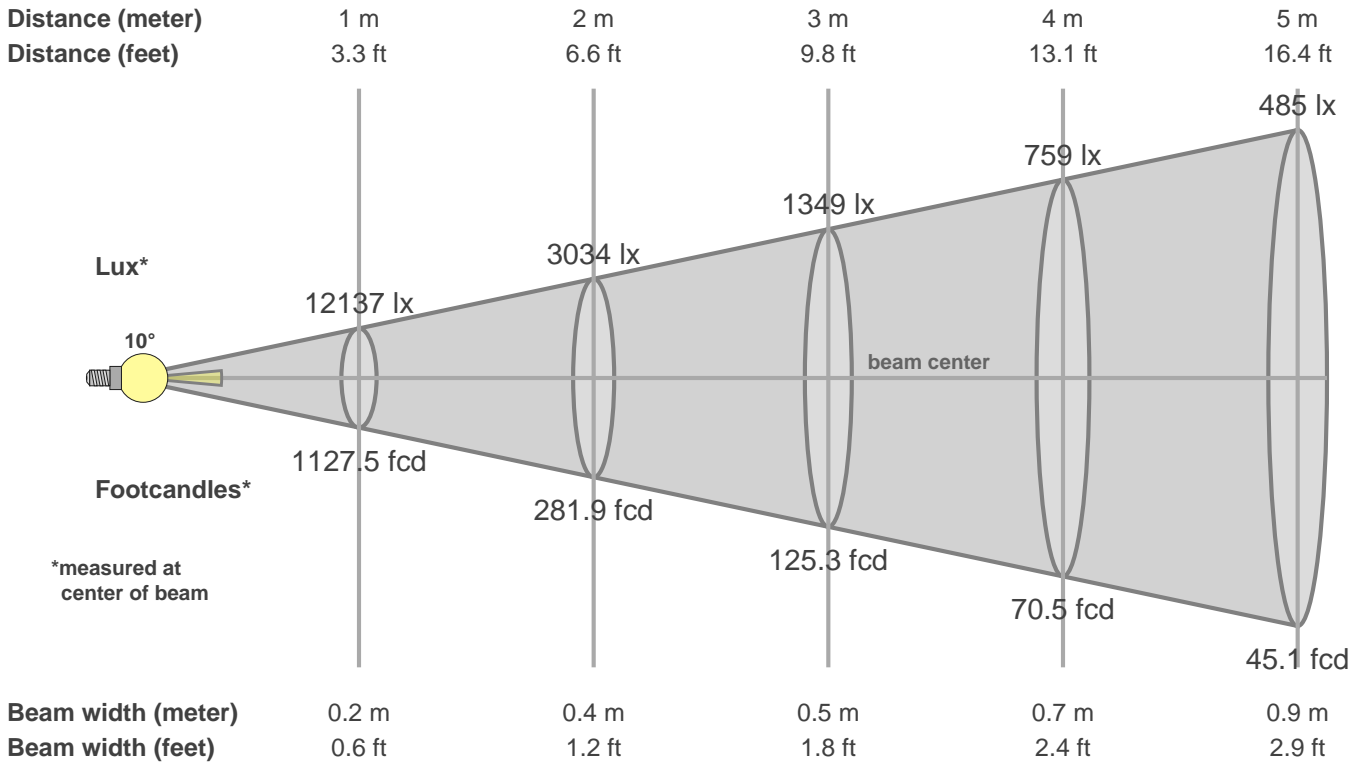
Color



CIE1931
x: 0.134
y: 0.058

Spectra





Intensities in 0° c-plane

0°	1°	2°	3°	4°	5°	6°	7°	8°	9°	10°	11°	12°	13°	14°	15°	16°	17°	18°	19°
12.1K	11.6K	10.8K	9.5K	7.9K	6.2K	4.8K	3.4K	2.4K	1.7K	1.2K	0.9K	0.6K	0.5K	0.4K	0.3K	0.2K	0.2K	0.2K	0.1K
100%	95%	89%	79%	65%	51%	40%	28%	20%	14%	10%	7%	5%	4%	3%	2%	2%	2%	1%	1%

Intensities in 90° c-plane

0°	1°	2°	3°	4°	5°	6°	7°	8°	9°	10°	11°	12°	13°	14°	15°	16°	17°	18°	19°
12.1K	12.1K	11.0K	9.6K	8.0K	6.3K	4.6K	3.4K	2.4K	1.6K	1.2K	0.8K	0.6K	0.5K	0.4K	0.3K	0.2K	0.2K	0.2K	0.1K
100%	100%	91%	79%	66%	52%	38%	28%	20%	14%	10%	7%	5%	4%	3%	2%	2%	2%	1%	1%

Intensities in 180° c-plane

0°	1°	2°	3°	4°	5°	6°	7°	8°	9°	10°	11°	12°	13°	14°	15°	16°	17°	18°	19°
12.1K	11.6K	10.8K	9.5K	7.9K	6.2K	4.8K	3.4K	2.4K	1.7K	1.2K	0.9K	0.6K	0.5K	0.4K	0.3K	0.2K	0.2K	0.2K	0.1K
100%	95%	89%	79%	65%	51%	40%	28%	20%	14%	10%	7%	5%	4%	3%	2%	2%	2%	1%	1%

Intensities in 270° c-plane

0°	1°	2°	3°	4°	5°	6°	7°	8°	9°	10°	11°	12°	13°	14°	15°	16°	17°	18°	19°
12.1K	12.1K	11.0K	9.6K	8.0K	6.3K	4.6K	3.4K	2.4K	1.6K	1.2K	0.8K	0.6K	0.5K	0.4K	0.3K	0.2K	0.2K	0.2K	0.1K
100%	100%	91%	79%	66%	52%	38%	28%	20%	14%	10%	7%	5%	4%	3%	2%	2%	2%	1%	1%

Beam angle 50%	Field angle 10%	Cutoff angle 2.5%	Intensity ratio in 120° cone	Intensity ratio in 90° cone
10.3°	20.0°	29.7°	95.6%	93.8%