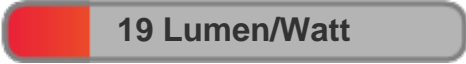




Light efficiency:



Light quality:



Color temperature:



Output: 610 lm
Peak: 3066 cd
Power: 32.8 W
48.0V @ 0.683A



Product name:
PH-FL100-RGBW40K-OM-BLUE-20-ELV

Date and time:
3/27/2017 2:32:16 PM

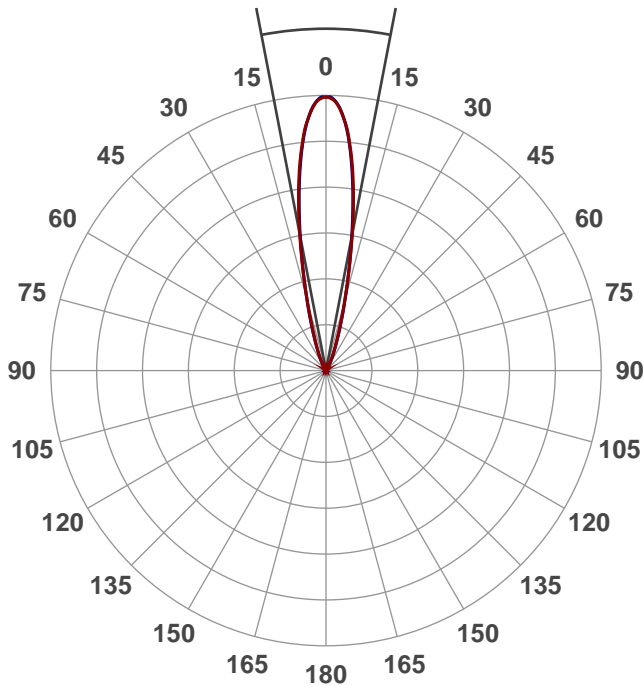
Additional information:
BEAM ANGLE: 20°
10% Beam Angle: 41°
Peak wavelength: 466 nm

Optical Output Power: 11.59 W

Beam angle

21.8°

4 PLANES

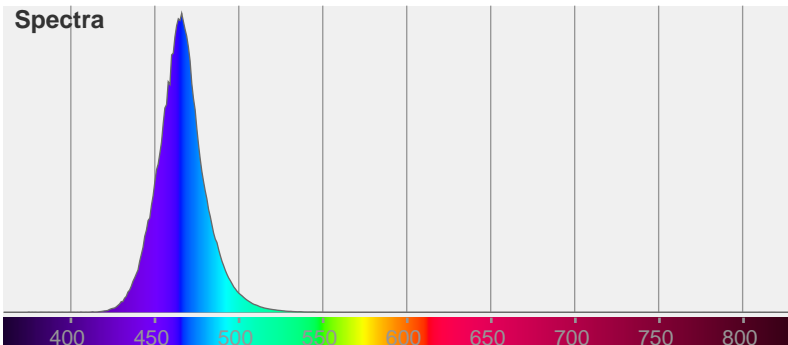


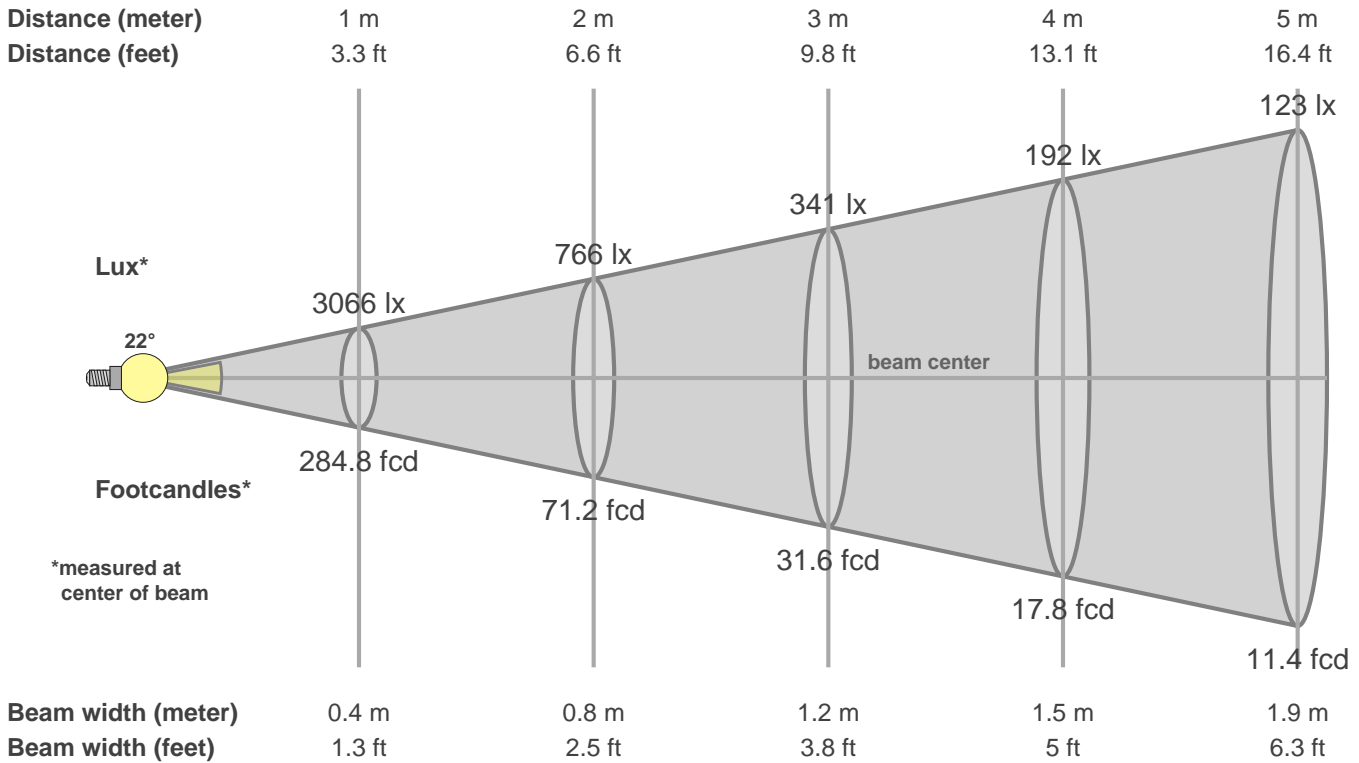
Color



CIE1931
x: 0.134
y: 0.057

Spectra





Intensities in 0° c-plane

0°	2°	4°	6°	8°	10°	12°	14°	16°	18°	20°	22°	24°	26°	28°	30°	32°	34°	36°	38°
3066	3001	2821	2538	2168	1743	1317	962	686	483	341	248	184	136	101	76	57	45	37	31
100%	98%	92%	83%	71%	57%	43%	31%	22%	16%	11%	8%	6%	4%	3%	2%	2%	1%	1%	1%

Intensities in 90° c-plane

0°	2°	4°	6°	8°	10°	12°	14°	16°	18°	20°	22°	24°	26°	28°	30°	32°	34°	36°	38°
3066	3007	2826	2523	2131	1705	1305	963	701	505	361	259	186	133	96	70	55	44	35	29
100%	98%	92%	82%	70%	56%	43%	31%	23%	16%	12%	8%	6%	4%	3%	2%	2%	1%	1%	1%

Intensities in 180° c-plane

0°	2°	4°	6°	8°	10°	12°	14°	16°	18°	20°	22°	24°	26°	28°	30°	32°	34°	36°	38°
3066	3001	2821	2538	2168	1743	1317	962	686	483	341	248	184	136	101	76	57	45	37	31
100%	98%	92%	83%	71%	57%	43%	31%	22%	16%	11%	8%	6%	4%	3%	2%	2%	1%	1%	1%

Intensities in 270° c-plane

0°	2°	4°	6°	8°	10°	12°	14°	16°	18°	20°	22°	24°	26°	28°	30°	32°	34°	36°	38°
3066	3007	2826	2523	2131	1705	1305	963	701	505	361	259	186	133	96	70	55	44	35	29
100%	98%	92%	82%	70%	56%	43%	31%	23%	16%	12%	8%	6%	4%	3%	2%	2%	1%	1%	1%

Beam angle 50%	Field angle 10%	Cutoff angle 2.5%	Intensity ratio in 120° cone	Intensity ratio in 90° cone
21.8°	41.4°	58.8°	95.3%	92.5%