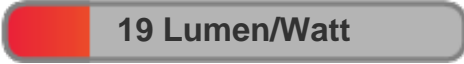




Light efficiency:



Light quality:



Color temperature:



Output: 607 lm

Peak: 918 cd

Power: 32.3 W

48.0V @ 0.674A



Product name:

PH-FL100-RGBW40K-OM-BLUE-40-ELV

Date and time:

3/21/2017 4:19:50 PM

Additional information:

Beam Angle: 40°

10% beam angle: 80°

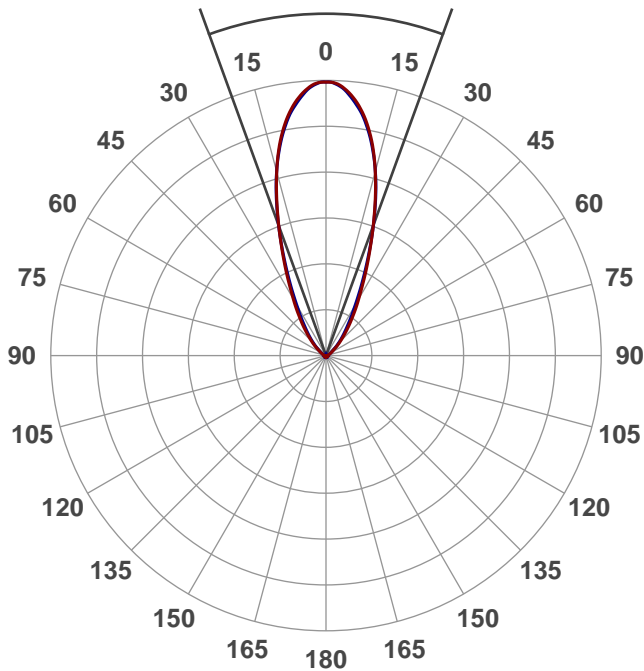
Peak wavelength: 466 nm

Optical Output power: 11.5W

Beam angle

40°

6 PLANES



Color

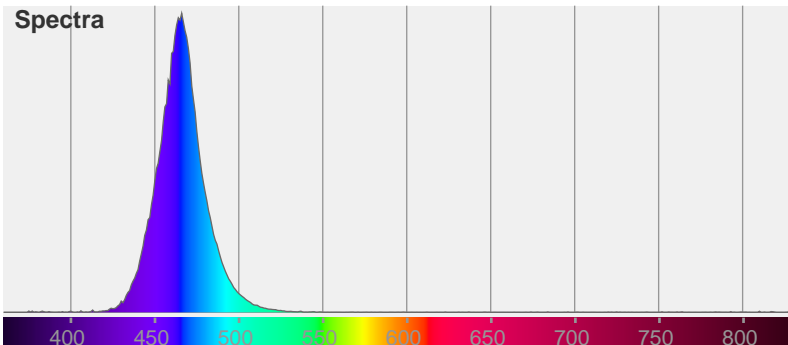


CIE1931

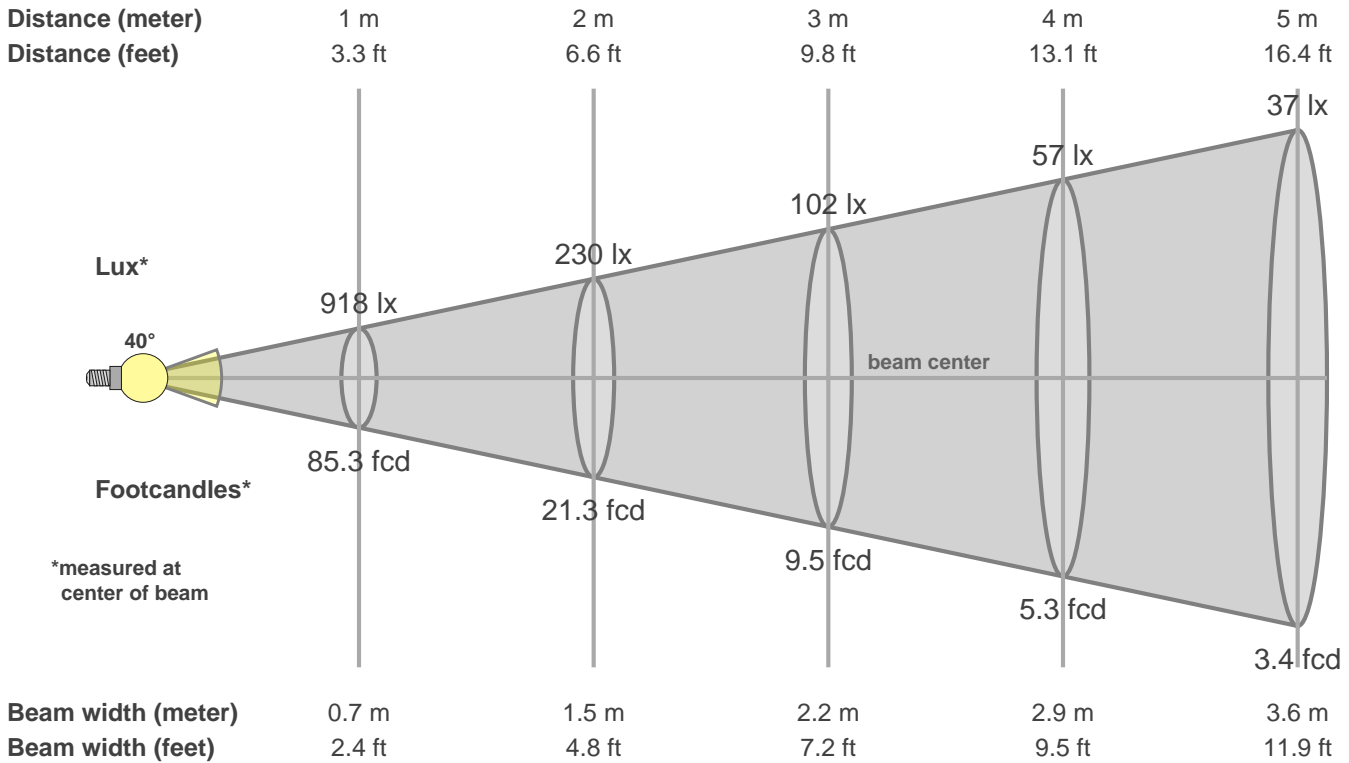
x: 0.135

y: 0.057

Spectra







Intensities in 0° c-plane

0°	2°	4°	6°	8°	10°	12°	14°	16°	18°	20°	22°	24°	26°	28°	30°	32°	34°	36°	38°
918	914	897	871	835	791	737	673	603	532	463	400	345	297	254	219	190	163	140	121
100%	100%	98%	95%	91%	86%	80%	73%	66%	58%	50%	44%	38%	32%	28%	24%	21%	18%	15%	13%

Intensities in 90° c-plane

0°	2°	4°	6°	8°	10°	12°	14°	16°	18°	20°	22°	24°	26°	28°	30°	32°	34°	36°	38°
918	912	894	863	828	783	731	672	606	536	465	397	335	281	235	197	168	142	121	104
100%	99%	97%	94%	90%	85%	80%	73%	66%	58%	51%	43%	36%	31%	26%	21%	18%	16%	13%	11%

Intensities in 180° c-plane

0°	2°	4°	6°	8°	10°	12°	14°	16°	18°	20°	22°	24°	26°	28°	30°	32°	34°	36°	38°
918	914	897	871	835	791	737	673	603	532	463	400	345	297	254	219	190	163	140	121
100%	100%	98%	95%	91%	86%	80%	73%	66%	58%	50%	44%	38%	32%	28%	24%	21%	18%	15%	13%

Intensities in 270° c-plane

0°	2°	4°	6°	8°	10°	12°	14°	16°	18°	20°	22°	24°	26°	28°	30°	32°	34°	36°	38°
918	912	894	863	828	783	731	672	606	536	465	397	335	281	235	197	168	142	121	104
100%	99%	97%	94%	90%	85%	80%	73%	66%	58%	51%	43%	36%	31%	26%	21%	18%	16%	13%	11%

Beam angle 50%	Field angle 10%	Cutoff angle 2.5%	Intensity ratio in 120° cone	Intensity ratio in 90° cone
40.0°	80.5°	114.3°	92.0%	84.6%