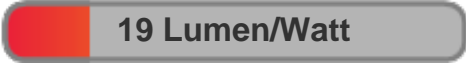




Light efficiency:



Light quality:



Color temperature:



Output: 610 lm

Peak: 572 cd

Power: 32.3 W

48.0V @ 0.673A



Product name:

PH-FL100-RGBW40K-OM-BLUE-55-ELV

Date and time:

3/21/2017 10:40:20 AM

Additional information:

BEAM ANGLE: 55°

10% Beam Angle: 102°

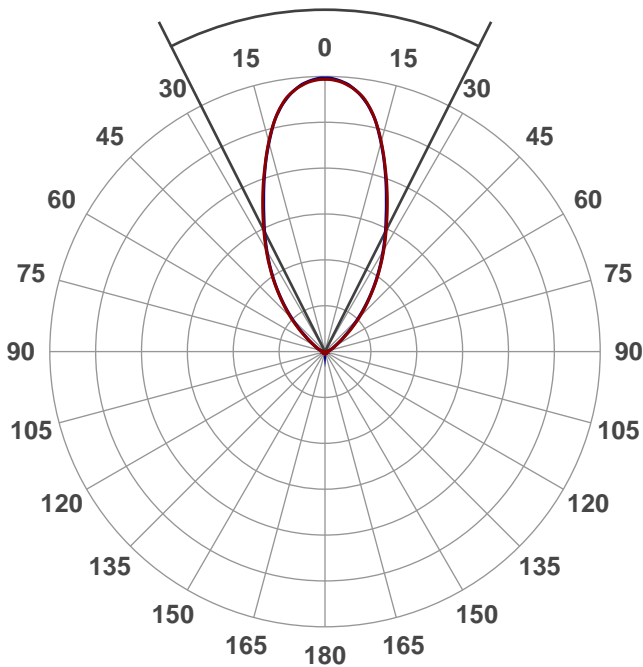
Peak wavelength: 466 nm

Optical Output power: 11.6 W

Beam angle

53.5°

6 PLANES

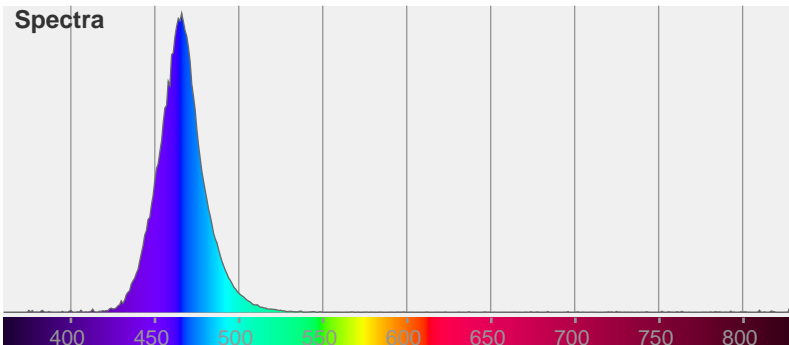


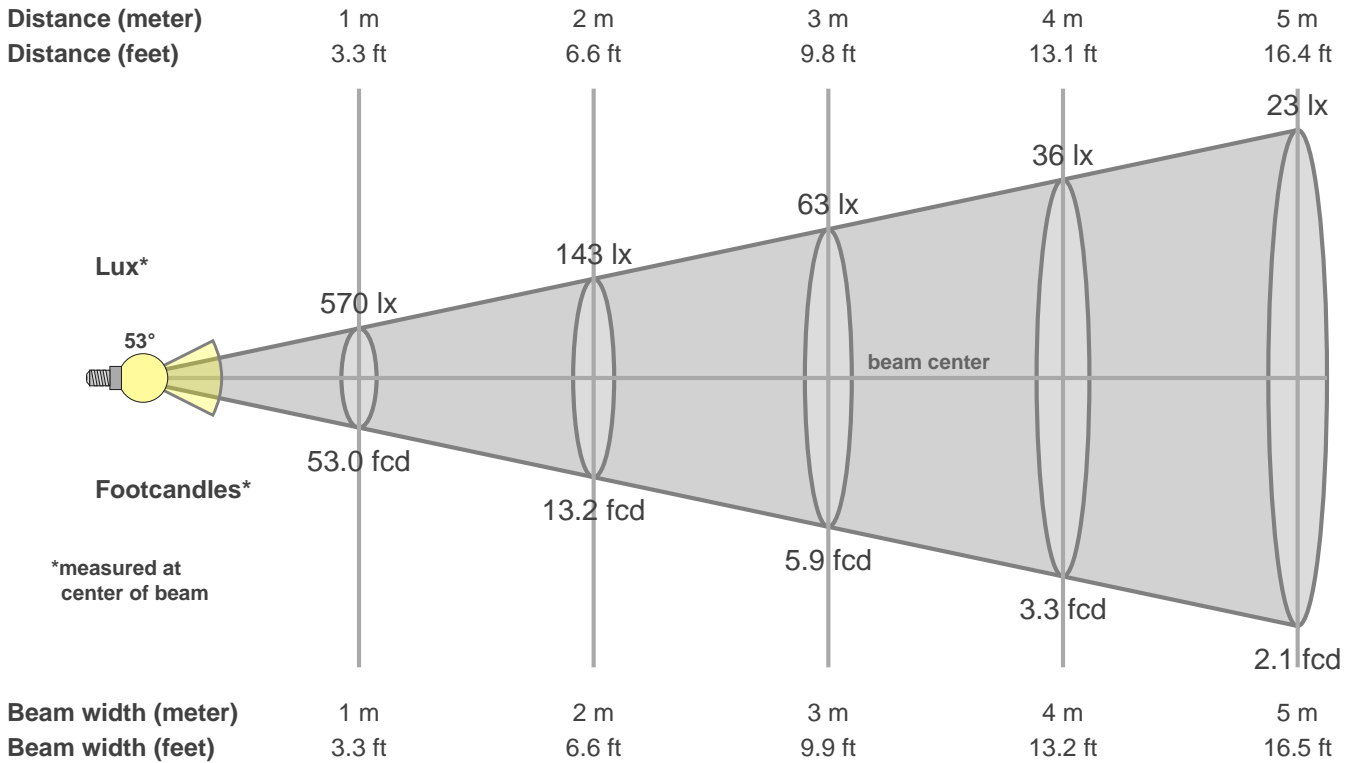
Color



CIE1931
x: 0.134
y: 0.058

Spectra





Intensities in 0° c-plane

0°	5°	10°	15°	20°	25°	30°	35°	40°	45°	50°	55°	60°	65°	70°	75°	80°	85°	90°	95°
570	558	522	454	376	306	246	191	142	101	66	40	26	19	13	10	6	4	3	3
100%	98%	92%	80%	66%	54%	43%	34%	25%	18%	12%	7%	5%	3%	2%	2%	1%	1%	1%	0%

Intensities in 90° c-plane

0°	5°	10°	15°	20°	25°	30°	35°	40°	45°	50°	55°	60°	65°	70°	75°	80°	85°	90°	95°
570	560	522	452	373	302	243	189	140	97	63	40	26	19	14	9	7	4	3	3
100%	98%	92%	79%	65%	53%	43%	33%	25%	17%	11%	7%	5%	3%	2%	2%	1%	1%	1%	1%

Intensities in 180° c-plane

0°	5°	10°	15°	20°	25°	30°	35°	40°	45°	50°	55°	60°	65°	70°	75°	80°	85°	90°	95°
570	558	522	454	376	306	246	191	142	101	66	40	26	19	13	10	6	4	3	3
100%	98%	92%	80%	66%	54%	43%	34%	25%	18%	12%	7%	5%	3%	2%	2%	1%	1%	1%	0%

Intensities in 270° c-plane

0°	5°	10°	15°	20°	25°	30°	35°	40°	45°	50°	55°	60°	65°	70°	75°	80°	85°	90°	95°
570	560	522	452	373	302	243	189	140	97	63	40	26	19	14	9	7	4	3	3
100%	98%	92%	79%	65%	53%	43%	33%	25%	17%	11%	7%	5%	3%	2%	2%	1%	1%	1%	1%

Beam angle 50%	Field angle 10%	Cutoff angle 2.5%	Intensity ratio in 120° cone	Intensity ratio in 90° cone
53.5°	102.7°	138.8°	90.8%	79.3%