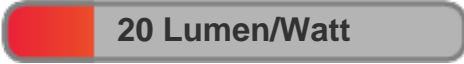




Light efficiency:



Light quality:



Color temperature:



Output: 638 lm

Peak: 410 cd

Power: 32.3 W

48.0V @ 0.673A



Product name:

PH-FL100-RGBW40K-OM-BLUE-75-ELV

Date and time:

4/3/2017 10:22:05 AM

Additional information:

BEAM ANGLE: 75°

10% Beam Angle: 112°

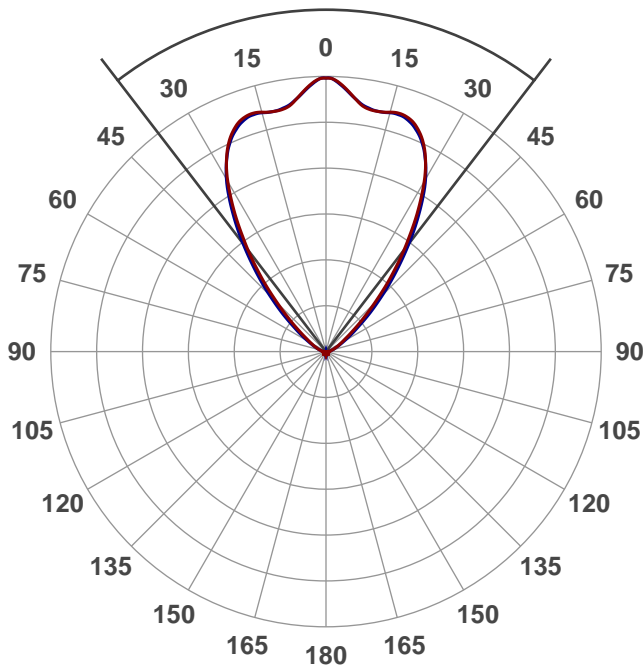
Peak wavelength: 466 nm

Optical Output power: 12.13W

Beam angle

75°

14 PLANES



Color

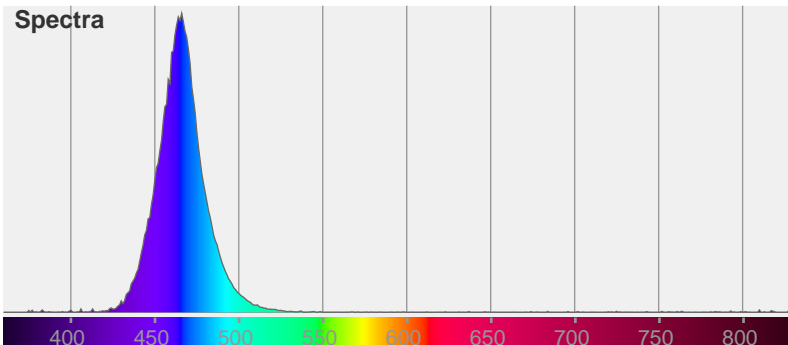


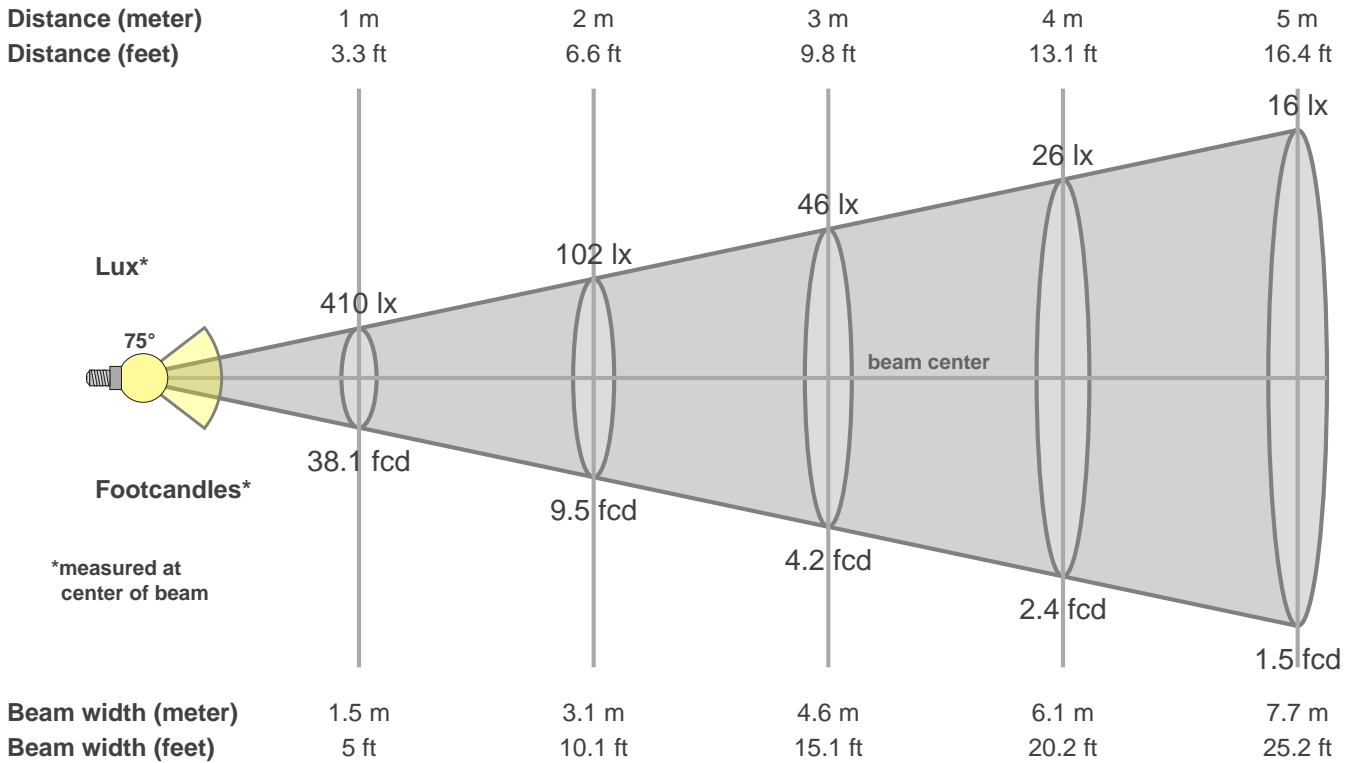
CIE1931

x: 0.135

y: 0.057

Spectra





Intensities in 0° c-plane

0°	5°	10°	15°	20°	25°	30°	35°	40°	45°	50°	55°	60°	65°	70°	75°	80°	85°	90°	95°
410	391	369	371	370	345	294	226	160	103	64	39	27	19	14	10	7	5	3	3
100%	95%	90%	91%	90%	84%	72%	55%	39%	25%	16%	10%	6%	5%	3%	2%	2%	1%	1%	1%

Intensities in 90° c-plane

0°	5°	10°	15°	20°	25°	30°	35°	40°	45°	50°	55°	60°	65°	70°	75°	80°	85°	90°	95°
410	390	370	370	366	342	298	236	173	119	77	49	31	21	14	10	7	4	3	3
100%	95%	90%	90%	89%	83%	73%	58%	42%	29%	19%	12%	8%	5%	3%	2%	2%	1%	1%	1%

Intensities in 180° c-plane

0°	5°	10°	15°	20°	25°	30°	35°	40°	45°	50°	55°	60°	65°	70°	75°	80°	85°	90°	95°
410	391	369	371	370	345	294	226	160	103	64	39	27	19	14	10	7	5	3	3
100%	95%	90%	91%	90%	84%	72%	55%	39%	25%	16%	10%	6%	5%	3%	2%	2%	1%	1%	1%

Intensities in 270° c-plane

0°	5°	10°	15°	20°	25°	30°	35°	40°	45°	50°	55°	60°	65°	70°	75°	80°	85°	90°	95°
410	390	370	370	366	342	298	236	173	119	77	49	31	21	14	10	7	4	3	3
100%	95%	90%	90%	89%	83%	73%	58%	42%	29%	19%	12%	8%	5%	3%	2%	2%	1%	1%	1%

Beam angle 50%	Field angle 10%	Cutoff angle 2.5%	Intensity ratio in 120° cone	Intensity ratio in 90° cone
75.0°	112.2°	149.2°	90.9%	78.3%