



Light efficiency:

61 Lumen/Watt

Light quality:

CRI: 0

Color temperature:

0 K

Output: 1393 lm

Peak: 7214 cd

Power: 22.8 W

48.0V @ 0.474A



Product name:

PH-FL100-RGBW40K-OM-GREEN-20-EL

Date and time:

3/27/2017 2:26:25 PM

Additional information:

BEAM ANGLE: 20°

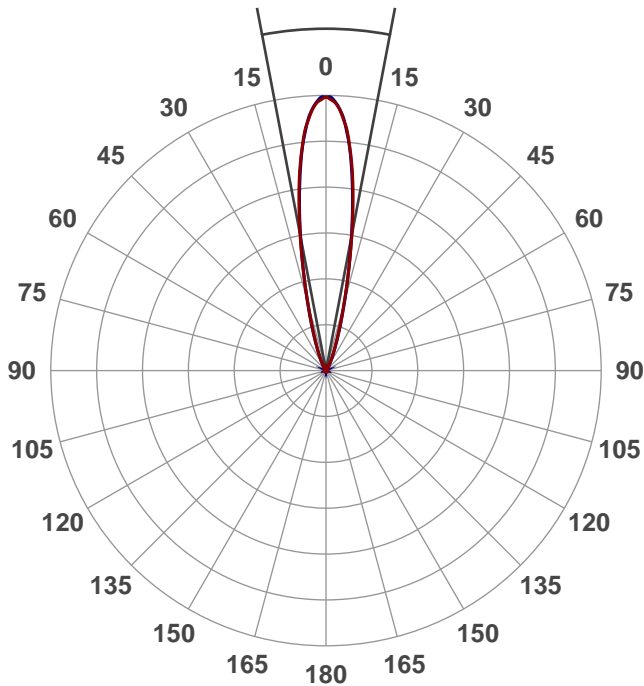
Half Beam Angle: 41°

Peak Wavelength: 520 nm

Beam angle

21.5°

4 PLANES



Color

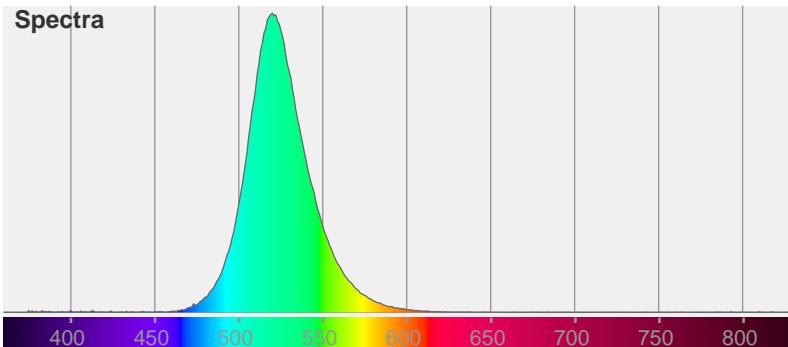


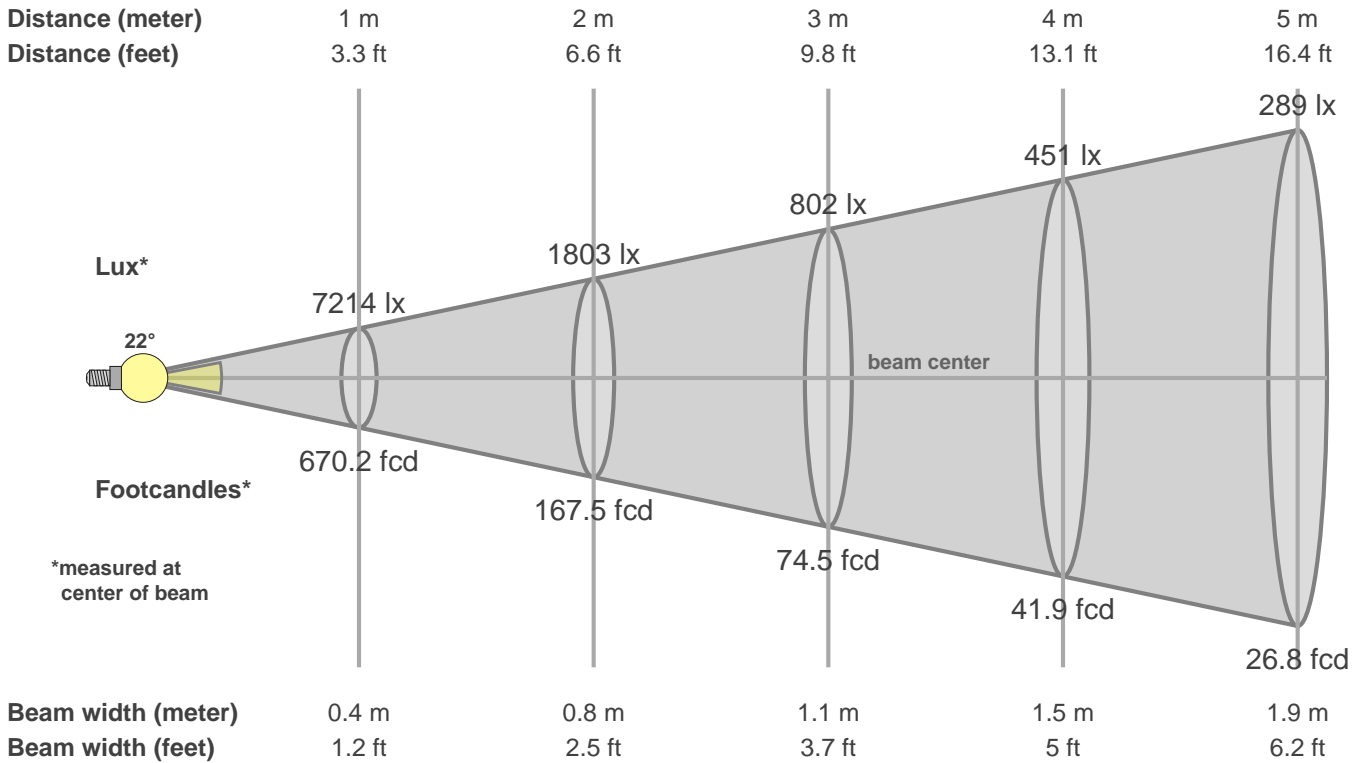
CIE1931

x: 0.171

y: 0.715

Spectra





Intensities in 0° c-plane

0°	2°	4°	6°	8°	10°	12°	14°	16°	18°	20°	22°	24°	26°	28°	30°	32°	34°	36°	38°
7214	7055	6624	5948	5061	4032	3042	2216	1572	1101	775	568	420	309	226	167	128	102	83	67
100%	98%	92%	82%	70%	56%	42%	31%	22%	15%	11%	8%	6%	4%	3%	2%	2%	1%	1%	1%

Intensities in 90° c-plane

0°	2°	4°	6°	8°	10°	12°	14°	16°	18°	20°	22°	24°	26°	28°	30°	32°	34°	36°	38°
7214	7080	6660	5928	4974	3968	3024	2216	1599	1157	831	591	419	301	221	163	123	98	82	67
100%	98%	92%	82%	69%	55%	42%	31%	22%	16%	12%	8%	6%	4%	3%	2%	2%	1%	1%	1%

Intensities in 180° c-plane

0°	2°	4°	6°	8°	10°	12°	14°	16°	18°	20°	22°	24°	26°	28°	30°	32°	34°	36°	38°
7214	7055	6624	5948	5061	4032	3042	2216	1572	1101	775	568	420	309	226	167	128	102	83	67
100%	98%	92%	82%	70%	56%	42%	31%	22%	15%	11%	8%	6%	4%	3%	2%	2%	1%	1%	1%

Intensities in 270° c-plane

0°	2°	4°	6°	8°	10°	12°	14°	16°	18°	20°	22°	24°	26°	28°	30°	32°	34°	36°	38°
7214	7080	6660	5928	4974	3968	3024	2216	1599	1157	831	591	419	301	221	163	123	98	82	67
100%	98%	92%	82%	69%	55%	42%	31%	22%	16%	12%	8%	6%	4%	3%	2%	2%	1%	1%	1%

Beam angle 50%	Field angle 10%	Cutoff angle 2.5%	Intensity ratio in 120° cone	Intensity ratio in 90° cone
21.5°	41.0°	58.4°	96.2%	93.6%