



Light efficiency:

76 Lumen/Watt

Light quality:

CRI: 0

Color temperature:

0 K

Output: 1715 lm
Peak: 135638 cd

Power: 22.7 W
48.2V @ 0.471A



Product name:

PH-FL100-RGBW-OM-GREEN-4-ELV-12

Date and time:

7/12/2016 3:15:44 PM

Additional information:

Beam Angle: 4.9°

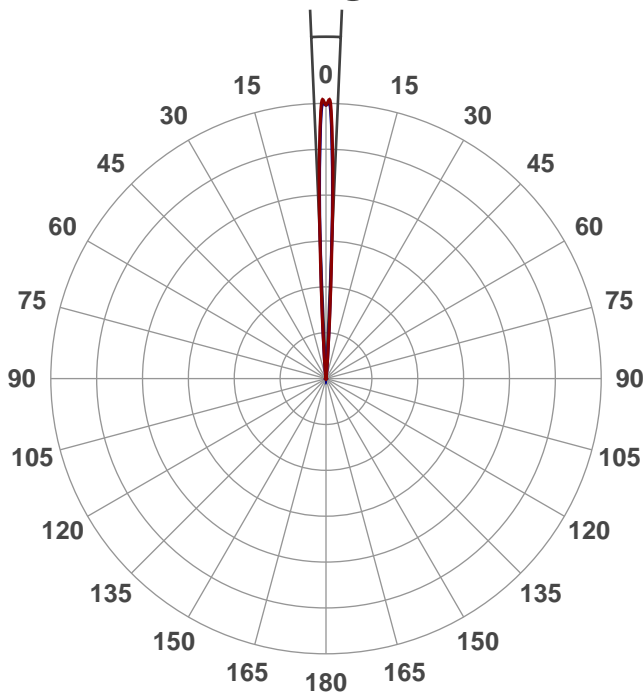
10% Beam Angle: 8.3°

Peak wavelength: 517 nm

Beam angle

4.9°

6 PLANES

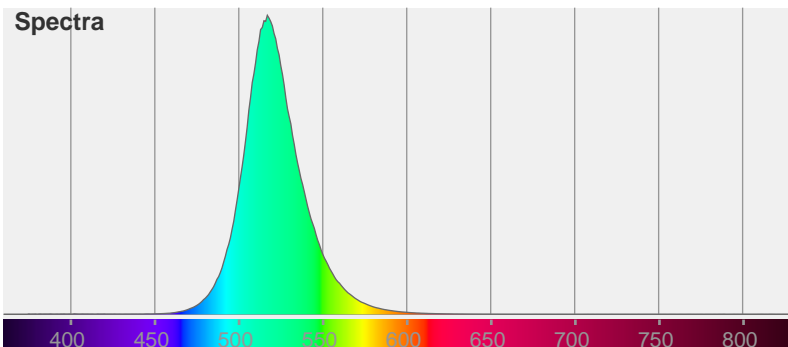


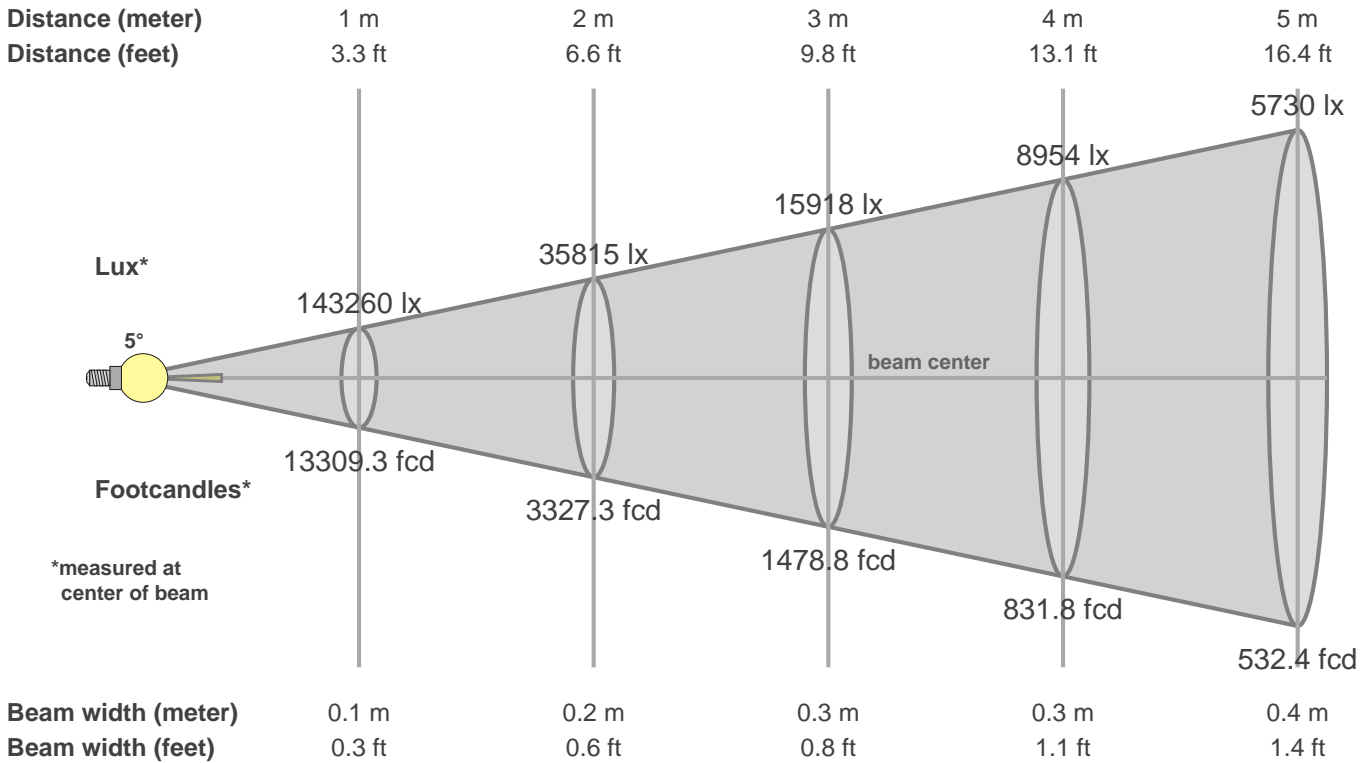
Color



CIE1931
x: 0.148
y: 0.712

Spectra





Intensities in 0° c-plane

0°	1°	2°	3°	4°	5°	6°	7°	8°	9°	10°	11°	12°	13°	14°	15°	16°	17°	18°	19°
143K	136K	98K	46K	16K	7K	4K	2K	1K	1K	1K	1K	1K	1K	0K	0K	0K	0K	0K	0K
100%	95%	68%	32%	11%	5%	2%	1%	1%	1%	1%	1%	0%	0%	0%	0%	0%	0%	0%	0%

Intensities in 90° c-plane

0°	1°	2°	3°	4°	5°	6°	7°	8°	9°	10°	11°	12°	13°	14°	15°	16°	17°	18°	19°
143K	133K	93K	42K	15K	6K	3K	2K	2K	1K	1K	1K	1K	1K	1K	1K	0K	0K	0K	0K
100%	93%	65%	29%	10%	4%	2%	1%	1%	1%	1%	1%	1%	0%	0%	0%	0%	0%	0%	0%

Intensities in 180° c-plane

0°	1°	2°	3°	4°	5°	6°	7°	8°	9°	10°	11°	12°	13°	14°	15°	16°	17°	18°	19°
143K	136K	98K	46K	16K	7K	4K	2K	1K	1K	1K	1K	1K	1K	0K	0K	0K	0K	0K	0K
100%	95%	68%	32%	11%	5%	2%	1%	1%	1%	1%	1%	0%	0%	0%	0%	0%	0%	0%	0%

Intensities in 270° c-plane

0°	1°	2°	3°	4°	5°	6°	7°	8°	9°	10°	11°	12°	13°	14°	15°	16°	17°	18°	19°
143K	133K	93K	42K	15K	6K	3K	2K	2K	1K	1K	1K	1K	1K	1K	1K	0K	0K	0K	0K
100%	93%	65%	29%	10%	4%	2%	1%	1%	1%	1%	1%	1%	0%	0%	0%	0%	0%	0%	0%

Beam angle 50%	Field angle 10%	Cutoff angle 2.5%	Intensity ratio in 120° cone	Intensity ratio in 90° cone
4.9°	8.3°	11.8°	89.0%	86.3%