



Light efficiency:

60 Lumen/Watt

Light quality:

CRI: 0

Color temperature:

0 K

Output: 1368 lm

Peak: 2152 cd

Power: 22.7 W

48.0V @ 0.472A



Product name:

PH-FL100-RGBW40K-OM-GREEN-40-EL

Date and time:

3/21/2017 3:52:35 PM

Additional information:

BEAM ANGLE: 40°

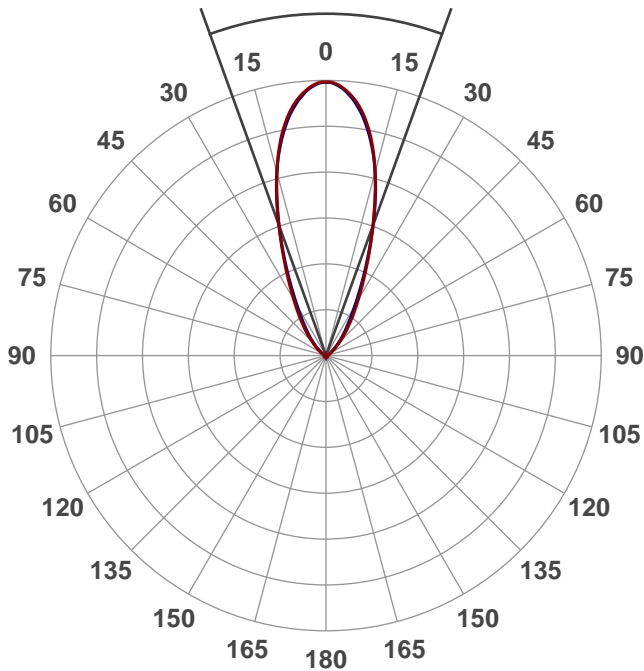
10% Beam Angle: 80°

Peak wavelength: 520 nm

Beam angle

39.7°

6 PLANES



Color

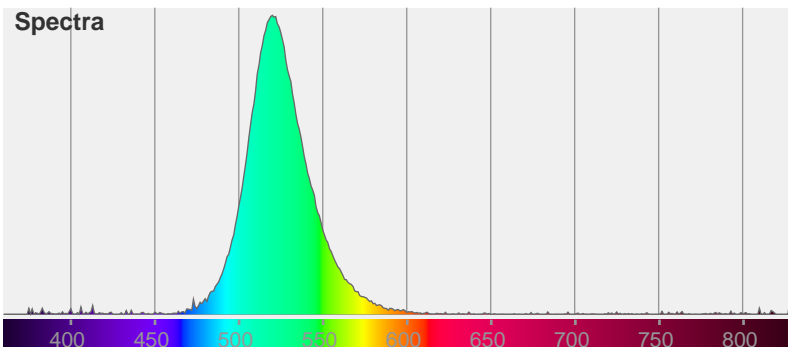


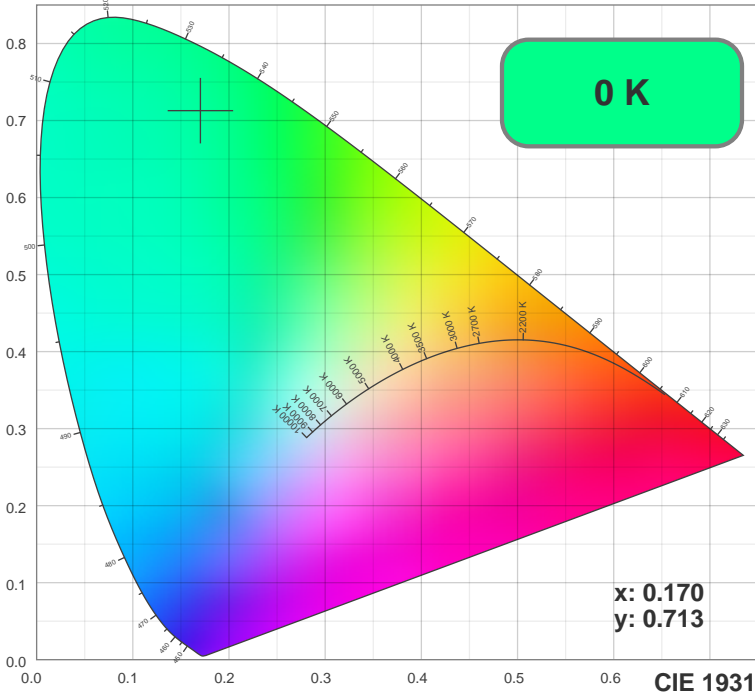
CIE1931

x: 0.170

y: 0.713

Spectra





TM30: 0.0

0	0	0	0	0	0	0	0	0	0	0	0	0	0	0	0
C1	C2	C3	C4	C5	C6	C7	C8	C9	C10	C11	C12	C13	C14	C15	C16

CRI R values, only R1-R8 are used to calculate final CRI value

R1	R2	R3	R4	R5	R6	R7	R8	R9	R10	R11	R12	R13	R14	R15
0.00	0.00	0.00	0.00	0.00	0.00	0.00	0.00	0.00	0.00	0.00	0.00	0.00	0.00	0.00

TM30 C values, 16 binned values out of total of 99 C values

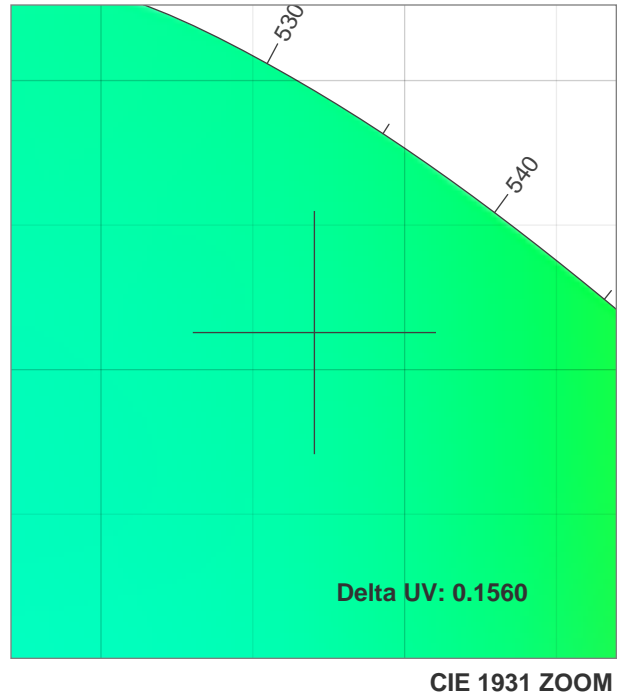
C1	C2	C3	C4	C5	C6	C7	C8	C9	C10	C11	C12	C13	C14	C15	C16
0.00	0.00	0.00	0.00	0.00	0.00	0.00	0.00	0.00	0.00	0.00	0.00	0.00	0.00	0.00	0.00

CQS Q values

Q1	Q2	Q3	Q4	Q5	Q6	Q7	Q8	Q9	Q10	Q11	Q12	Q13	Q14	Q15
0.00	0.00	0.00	0.00	0.00	0.00	0.00	0.00	0.00	0.00	0.00	0.00	0.00	0.00	0.00

Color parameters

CCT	CRI	CRI R9	TM30 Rf	TM30 Rg	CQS	x	y	u	v	Duv
0 K	0.0	0.0	0.0	0.0	0.0	0.2	0.7	0.1	0.4	NaN

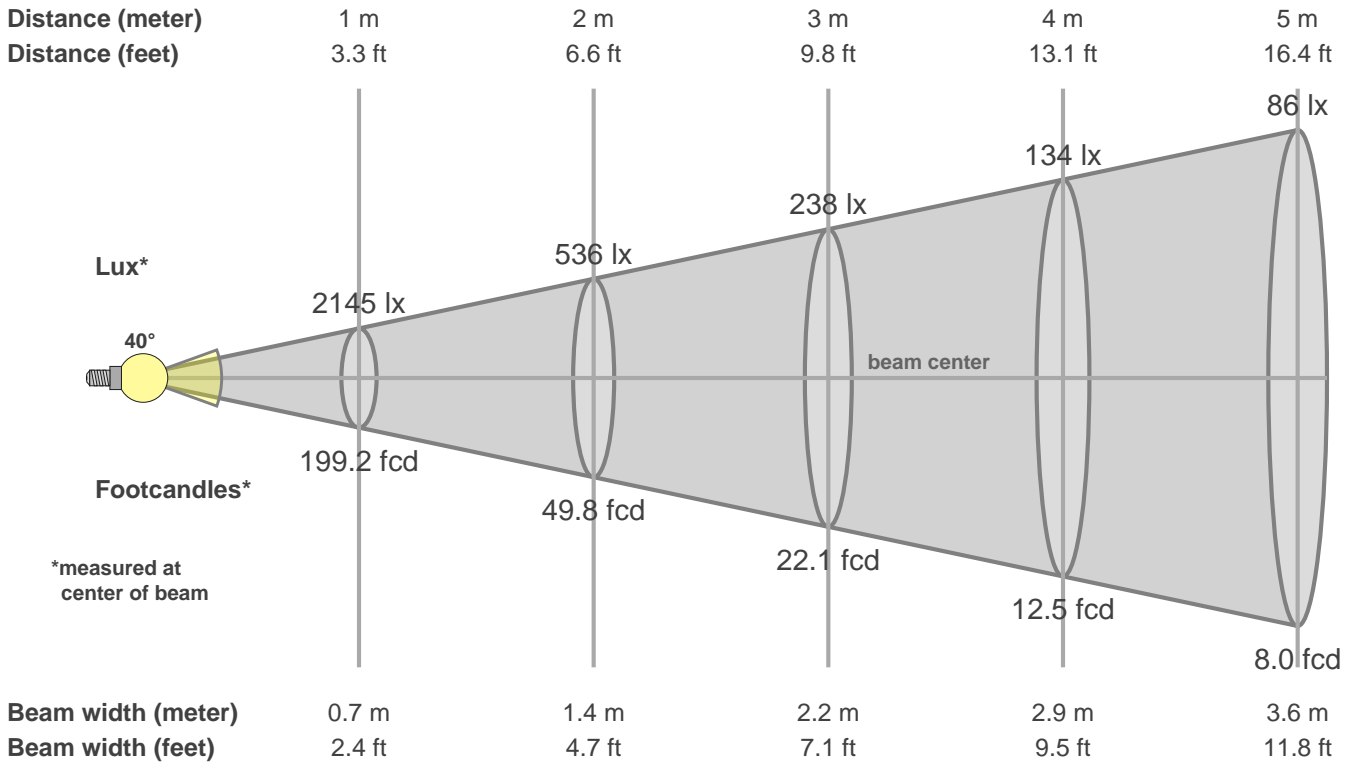


CRI: 0.0 (R1-R8)

0	0	0	0	0	0	0	0	0	0	0	0	0	0	0
R1	R2	R3	R4	R5	R6	R7	R8	R9	R10	R11	R12	R13	R14	R15

CQS: 0.0

0	0	0	0	0	0	0	0	0	0	0	0	0	0	0
Q1	Q2	Q3	Q4	Q5	Q6	Q7	Q8	Q9	Q10	Q11	Q12	Q13	Q14	Q15



**Intensities in 0° c-plane**

0°	2°	4°	6°	8°	10°	12°	14°	16°	18°	20°	22°	24°	26°	28°	30°	32°	34°	36°	38°
2145	2133	2093	2033	1952	1846	1719	1568	1401	1232	1072	926	796	682	586	504	435	374	321	275
100%	99%	98%	95%	91%	86%	80%	73%	65%	57%	50%	43%	37%	32%	27%	24%	20%	17%	15%	13%

**Intensities in 90° c-plane**

0°	2°	4°	6°	8°	10°	12°	14°	16°	18°	20°	22°	24°	26°	28°	30°	32°	34°	36°	38°
2145	2127	2085	2019	1934	1826	1702	1564	1409	1243	1075	916	772	647	540	453	384	326	278	238
100%	99%	97%	94%	90%	85%	79%	73%	66%	58%	50%	43%	36%	30%	25%	21%	18%	15%	13%	11%

**Intensities in 180° c-plane**

0°	2°	4°	6°	8°	10°	12°	14°	16°	18°	20°	22°	24°	26°	28°	30°	32°	34°	36°	38°
2145	2133	2093	2033	1952	1846	1719	1568	1401	1232	1072	926	796	682	586	504	435	374	321	275
100%	99%	98%	95%	91%	86%	80%	73%	65%	57%	50%	43%	37%	32%	27%	24%	20%	17%	15%	13%

**Intensities in 270° c-plane**

0°	2°	4°	6°	8°	10°	12°	14°	16°	18°	20°	22°	24°	26°	28°	30°	32°	34°	36°	38°
2145	2127	2085	2019	1934	1826	1702	1564	1409	1243	1075	916	772	647	540	453	384	326	278	238
100%	99%	97%	94%	90%	85%	79%	73%	66%	58%	50%	43%	36%	30%	25%	21%	18%	15%	13%	11%

Beam angle 50%	Field angle 10%	Cutoff angle 2.5%	Intensity ratio in 120° cone	Intensity ratio in 90° cone
39.7°	79.8°	111.7°	93.9%	86.7%