



Light efficiency:

60 Lumen/Watt

Light quality:

CRI: 0

Color temperature:

0 K

Output: 1348 lm

Peak: 1314 cd

Power: 22.6 W

48.0V @ 0.471A



Product name:

PH-FL100-RGBW40K-OM-GREEN-55-EL

Date and time:

3/21/2017 10:28:07 AM

Additional information:

BEAM ANGLE: 55°

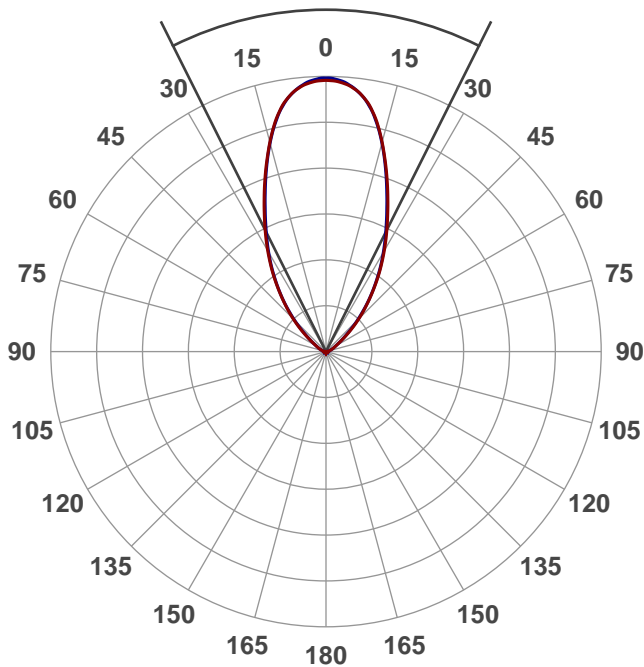
10% Beam Angle: 101°

Peak wavelength: 522 nm

Beam angle

53.2°

6 PLANES



Color

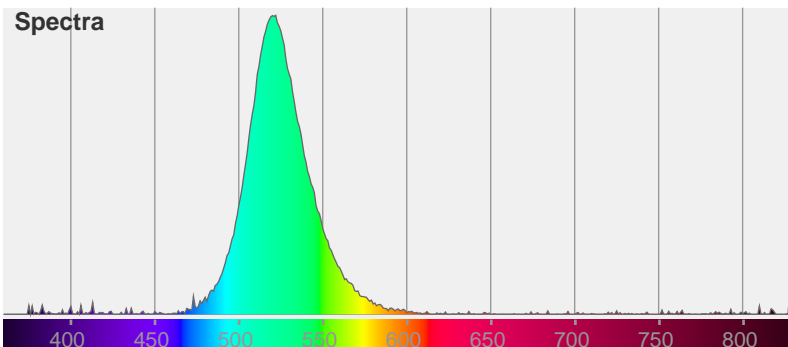


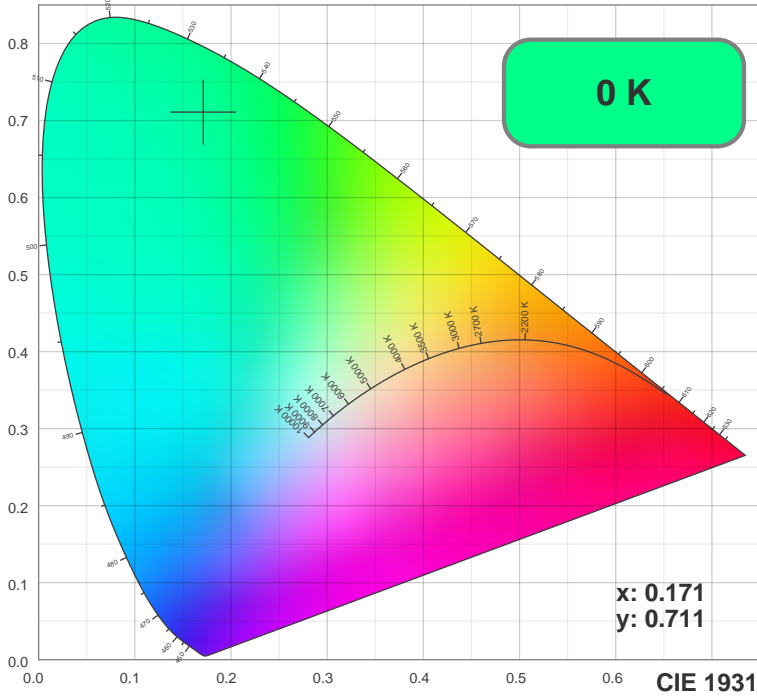
CIE1931

x: 0.171

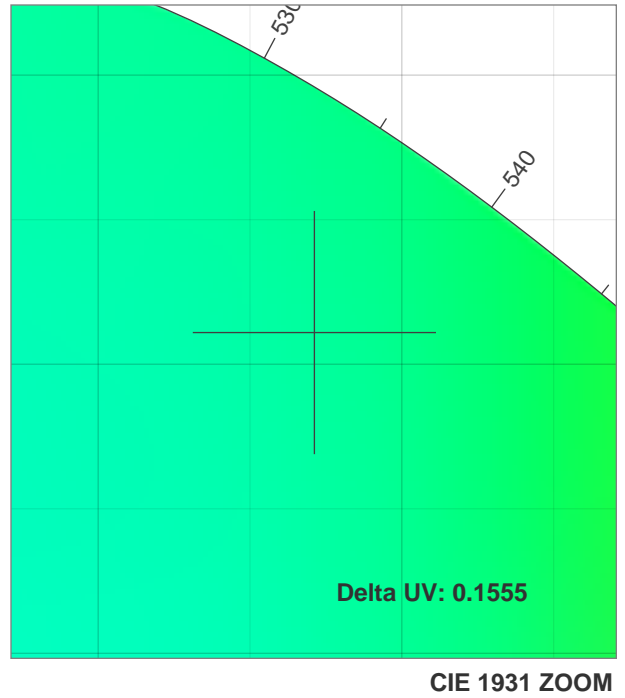
y: 0.711

Spectra





TM30: 0.0



CRI: 0.0 (R1-R8)

0	0	0	0	0	0	0	0	0	0	0	0	0	0	0	0
C1	C2	C3	C4	C5	C6	C7	C8	C9	C10	C11	C12	C13	C14	C15	C16

0	0	0	0	0	0	0	0	0	0	0	0	0	0	0
R1	R2	R3	R4	R5	R6	R7	R8	R9	R10	R11	R12	R13	R14	R15

CRI R values, only R1-R8 are used to calculate final CRI value

R1	R2	R3	R4	R5	R6	R7	R8	R9	R10	R11	R12	R13	R14	R15
0.00	0.00	0.00	0.00	0.00	0.00	0.00	0.00	0.00	0.00	0.00	0.00	0.00	0.00	0.00

TM30 C values, 16 binned values out of total of 99 C values

C1	C2	C3	C4	C5	C6	C7	C8	C9	C10	C11	C12	C13	C14	C15	C16
0.00	0.00	0.00	0.00	0.00	0.00	0.00	0.00	0.00	0.00	0.00	0.00	0.00	0.00	0.00	0.00

CQS Q values

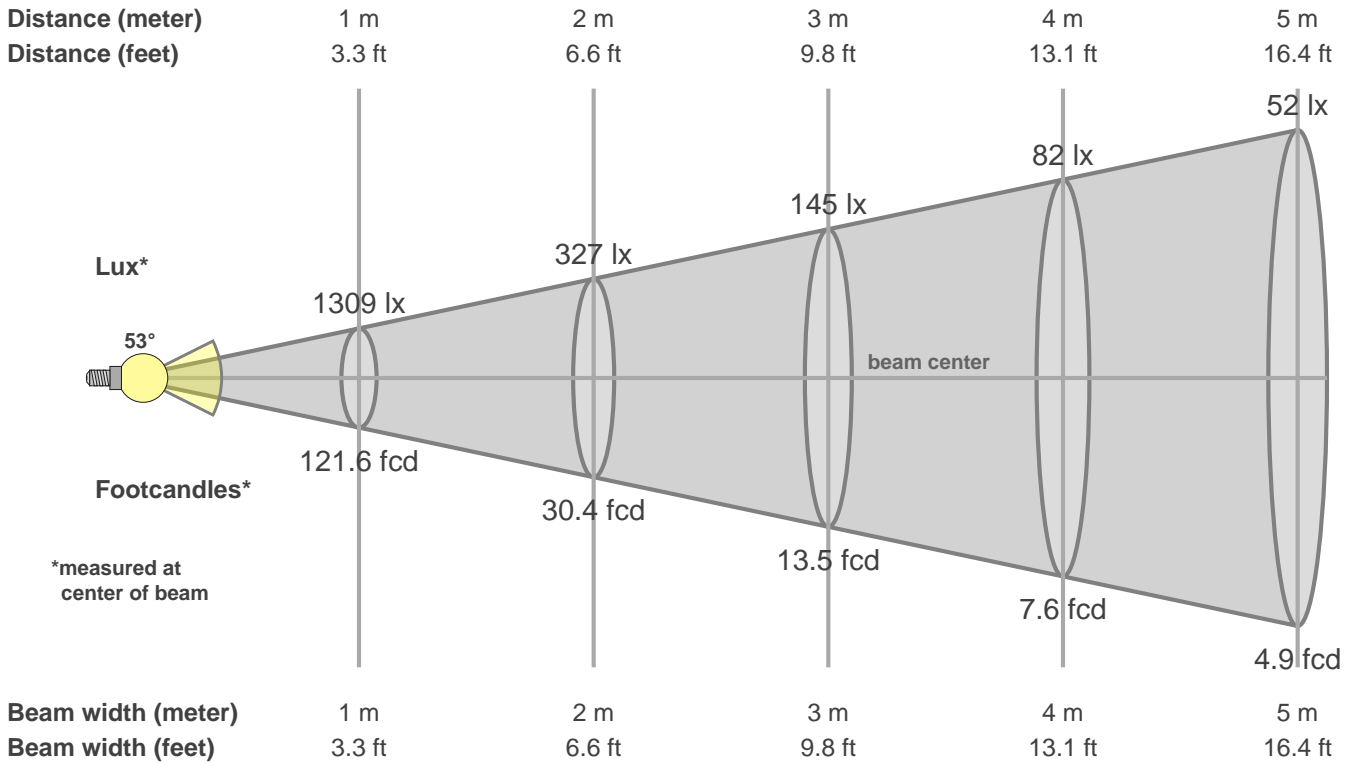
Q1	Q2	Q3	Q4	Q5	Q6	Q7	Q8	Q9	Q10	Q11	Q12	Q13	Q14	Q15
0.00	0.00	0.00	0.00	0.00	0.00	0.00	0.00	0.00	0.00	0.00	0.00	0.00	0.00	0.00

CQS: 0.0

0	0	0	0	0	0	0	0	0	0	0	0	0	0	0
Q1	Q2	Q3	Q4	Q5	Q6	Q7	Q8	Q9	Q10	Q11	Q12	Q13	Q14	Q15

Color parameters

CCT	CRI	CRI R9	TM30 Rf	TM30 Rg	CQS	x	y	u	v	Duv
0 K	0.0	0.0	0.0	0.0	0.0	0.2	0.7	0.1	0.4	NaN



Intensities in 0° c-plane

0°	5°	10°	15°	20°	25°	30°	35°	40°	45°	50°	55°	60°	65°	70°	75°	80°	85°	90°	95°
1309	1283	1202	1042	861	699	560	434	319	223	142	84	54	37	28	17	11	6	4	4
100%	98%	92%	80%	66%	53%	43%	33%	24%	17%	11%	6%	4%	3%	2%	1%	1%	0%	0%	0%

Intensities in 90° c-plane

0°	5°	10°	15°	20°	25°	30°	35°	40°	45°	50°	55°	60°	65°	70°	75°	80°	85°	90°	95°
1309	1286	1198	1038	851	687	552	428	315	214	132	83	53	38	26	19	12	6	4	4
100%	98%	92%	79%	65%	52%	42%	33%	24%	16%	10%	6%	4%	3%	2%	1%	1%	0%	0%	0%

Intensities in 180° c-plane

0°	5°	10°	15°	20°	25°	30°	35°	40°	45°	50°	55°	60°	65°	70°	75°	80°	85°	90°	95°
1309	1283	1202	1042	861	699	560	434	319	223	142	84	54	37	28	17	11	6	4	4
100%	98%	92%	80%	66%	53%	43%	33%	24%	17%	11%	6%	4%	3%	2%	1%	1%	0%	0%	0%

Intensities in 270° c-plane

0°	5°	10°	15°	20°	25°	30°	35°	40°	45°	50°	55°	60°	65°	70°	75°	80°	85°	90°	95°
1309	1286	1198	1038	851	687	552	428	315	214	132	83	53	38	26	19	12	6	4	4
100%	98%	92%	79%	65%	52%	42%	33%	24%	16%	10%	6%	4%	3%	2%	1%	1%	0%	0%	0%

Beam angle 50%	Field angle 10%	Cutoff angle 2.5%	Intensity ratio in 120° cone	Intensity ratio in 90° cone
53.2°	101.2°	134.6°	92.9%	81.8%