



Light efficiency:

54 Lumen/Watt

Light quality:

CRI: 0

Color temperature:

0 K

Output: 1347 lm
Peak: 38852 cd

Power: 25.1 W
48.2V @ 0.520A



Product name:

PH-FL100-RGBW40K-OM-GREEN-7-ELV

Date and time:

19-Dec-16 3:38:07 PM

Additional information:

FULL POWER

NORMALIZED: YES

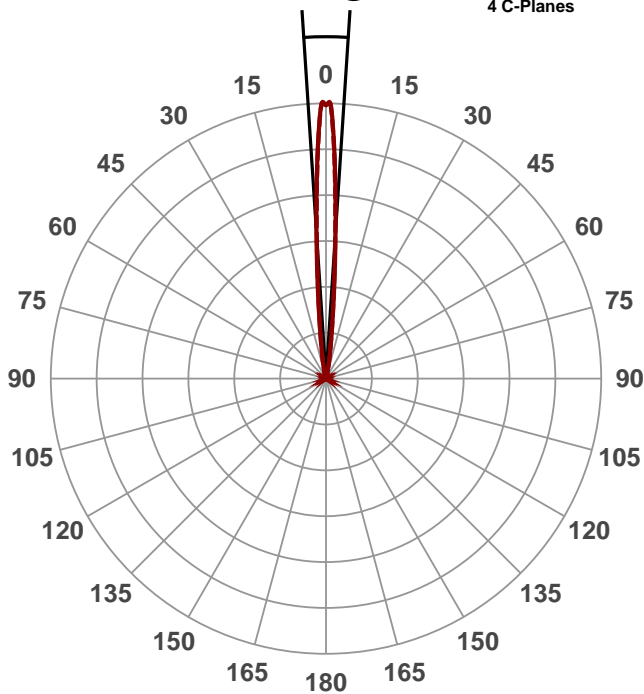
DETAILED SCAN

PERFORMED BY: PRIYA K

Beam angle

7.5°

(2 PLANES)
4 C-Planes

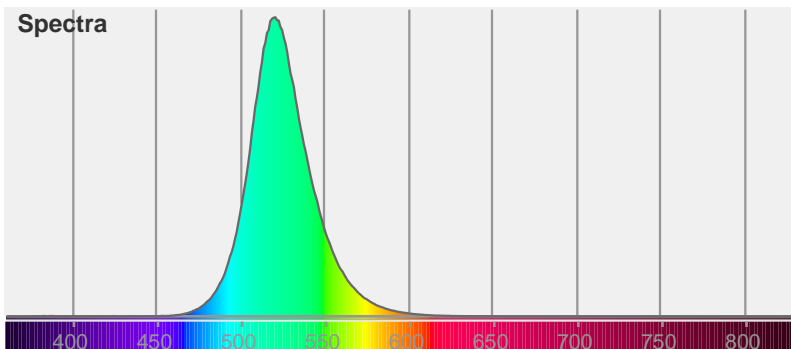


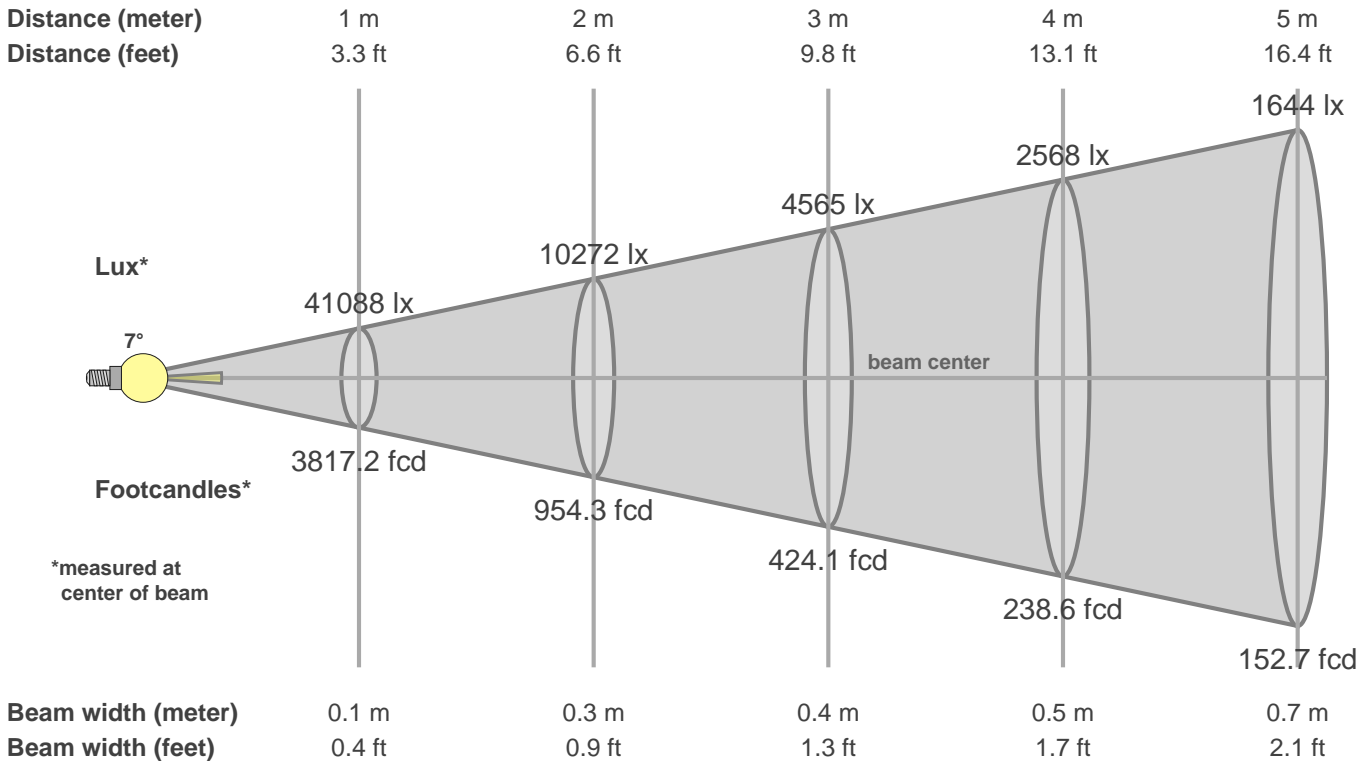
Color



CIE1931
x: 0.168
y: 0.714

Spectra





Intensities in 0° c-plane

0°	1°	2°	3°	4°	5°	6°	7°	8°	9°	10°	11°	12°	13°	14°	15°	16°	17°	18°	19°
41.1K	38.9K	33.0K	25.8K	19.1K	13.6K	9.6K	6.8K	4.9K	3.6K	2.6K	1.9K	1.5K	1.1K	0.9K	0.7K	0.6K	0.5K	0.4K	0.3K
100%	95%	80%	63%	46%	33%	23%	17%	12%	9%	6%	5%	4%	3%	2%	2%	1%	1%	1%	1%

Intensities in 90° c-plane

0°	1°	2°	3°	4°	5°	6°	7°	8°	9°	10°	11°	12°	13°	14°	15°	16°	17°	18°	19°
41.1K	38.7K	32.7K	25.2K	18.3K	13.0K	9.2K	6.5K	4.7K	3.4K	2.5K	1.9K	1.4K	1.1K	0.9K	0.7K	0.6K	0.5K	0.4K	0.3K
100%	94%	80%	61%	45%	32%	22%	16%	11%	8%	6%	5%	4%	3%	2%	2%	1%	1%	1%	1%

Intensities in 180° c-plane

0°	1°	2°	3°	4°	5°	6°	7°	8°	9°	10°	11°	12°	13°	14°	15°	16°	17°	18°	19°
41.1K	38.9K	33.0K	25.8K	19.1K	13.6K	9.6K	6.8K	4.9K	3.6K	2.6K	1.9K	1.5K	1.1K	0.9K	0.7K	0.6K	0.5K	0.4K	0.3K
100%	95%	80%	63%	46%	33%	23%	17%	12%	9%	6%	5%	4%	3%	2%	2%	1%	1%	1%	1%

Intensities in 270° c-plane

0°	1°	2°	3°	4°	5°	6°	7°	8°	9°	10°	11°	12°	13°	14°	15°	16°	17°	18°	19°
41.1K	38.7K	32.7K	25.2K	18.3K	13.0K	9.2K	6.5K	4.7K	3.4K	2.5K	1.9K	1.4K	1.1K	0.9K	0.7K	0.6K	0.5K	0.4K	0.3K
100%	94%	80%	61%	45%	32%	22%	16%	11%	8%	6%	5%	4%	3%	2%	2%	1%	1%	1%	1%

Beam angle 50%	Field angle 10%	Cutoff angle 2.5%	Intensity ratio in 120° cone	Intensity ratio in 90° cone
7.5°	17.1°	26.8°	98.7%	97.3%