



Light efficiency:

44 Lumen/Watt

Light quality:

CRI: 0

Color temperature:

0 K

Output: 688 lm
Peak: 3767 cd

Power: 15.7 W
48.0V @ 0.328A



Product name:

PH-FL100-RGBW40K-OM-RED-20-ELV-2

Date and time:

3/27/2017 2:14:51 PM

Additional information:

BEAM ANGLE: 20°

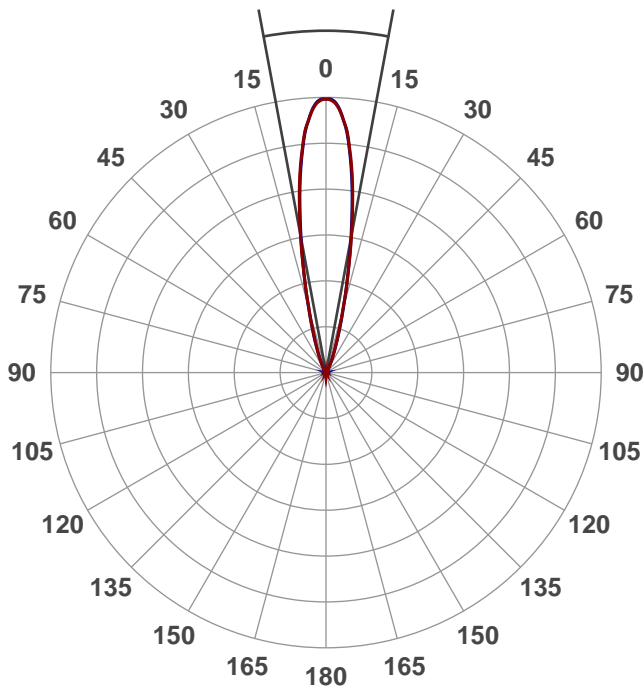
10% Beam Angle: 39.8°

Peak Wavelength: 637 nm

Beam angle

21°

4 PLANES

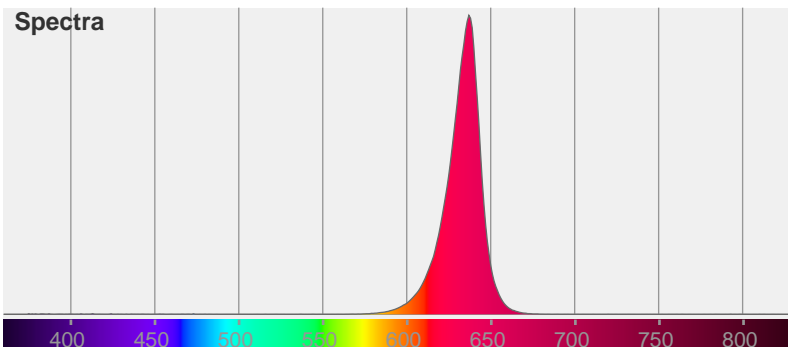


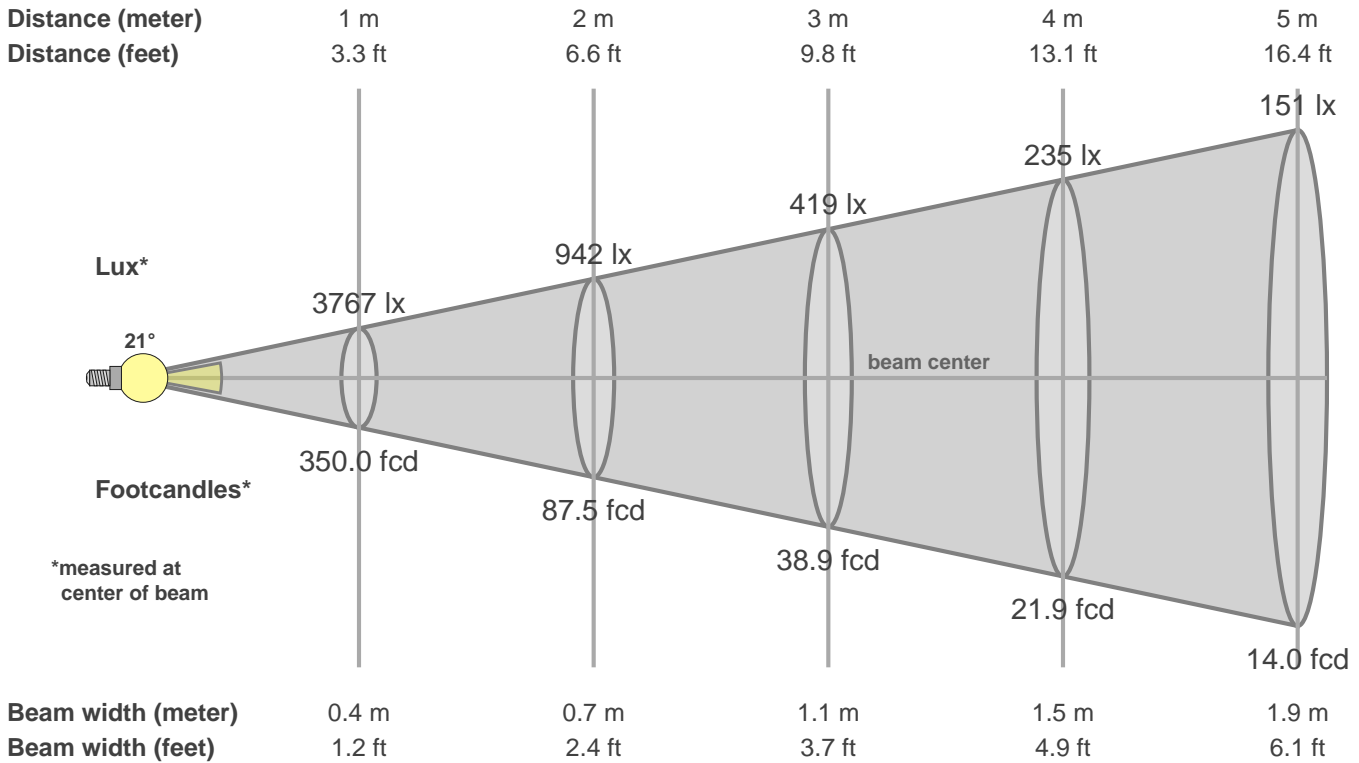
Color



CIE1931
x: 0.698
y: 0.299

Spectra





Intensities in 0° c-plane

0°	1°	2°	3°	4°	5°	6°	7°	8°	9°	10°	11°	12°	13°	14°	15°	16°	17°	18°	19°
3767	3723	3679	3587	3449	3310	3083	2857	2602	2323	2045	1782	1519	1290	1086	889	758	628	527	446
100%	99%	98%	95%	92%	88%	82%	76%	69%	62%	54%	47%	40%	34%	29%	24%	20%	17%	14%	12%

Intensities in 90° c-plane

0°	1°	2°	3°	4°	5°	6°	7°	8°	9°	10°	11°	12°	13°	14°	15°	16°	17°	18°	19°
3767	3737	3693	3598	3451	3290	3061	2819	2557	2277	2001	1749	1500	1284	1095	917	782	655	553	468
100%	99%	98%	96%	92%	87%	81%	75%	68%	60%	53%	46%	40%	34%	29%	24%	21%	17%	15%	12%

Intensities in 180° c-plane

0°	1°	2°	3°	4°	5°	6°	7°	8°	9°	10°	11°	12°	13°	14°	15°	16°	17°	18°	19°
3767	3723	3679	3587	3449	3310	3083	2857	2602	2323	2045	1782	1519	1290	1086	889	758	628	527	446
100%	99%	98%	95%	92%	88%	82%	76%	69%	62%	54%	47%	40%	34%	29%	24%	20%	17%	14%	12%

Intensities in 270° c-plane

0°	1°	2°	3°	4°	5°	6°	7°	8°	9°	10°	11°	12°	13°	14°	15°	16°	17°	18°	19°
3767	3737	3693	3598	3451	3290	3061	2819	2557	2277	2001	1749	1500	1284	1095	917	782	655	553	468
100%	99%	98%	96%	92%	87%	81%	75%	68%	60%	53%	46%	40%	34%	29%	24%	21%	17%	15%	12%

Beam angle 50%	Field angle 10%	Cutoff angle 2.5%	Intensity ratio in 120° cone	Intensity ratio in 90° cone
21.0°	39.8°	56.5°	96.1%	93.7%