



Light efficiency:

45 Lumen/Watt

Light quality:

CRI: 0

Color temperature:

0 K

Output: 697 lm

Peak: 688 cd

Power: 15.6 W

48.0V @ 0.325A



Product name:

PH-FL100-RGBW40K-OM-RED-55-ELV-2

Date and time:

3/20/2017 5:05:23 PM

Additional information:

BEAM ANGLE: 55°

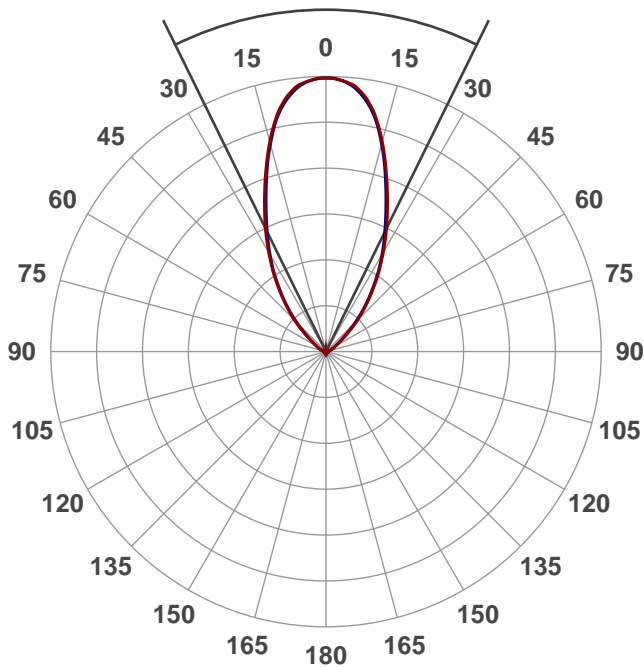
10% Beam Angle: 100°

Peak wavelength: 637 nm

Beam angle

52.3°

6 PLANES

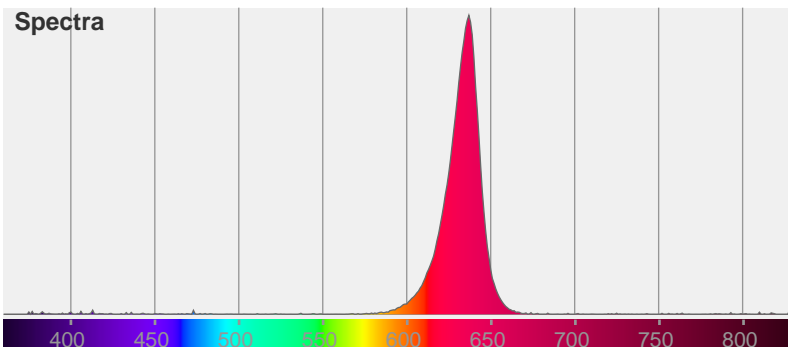


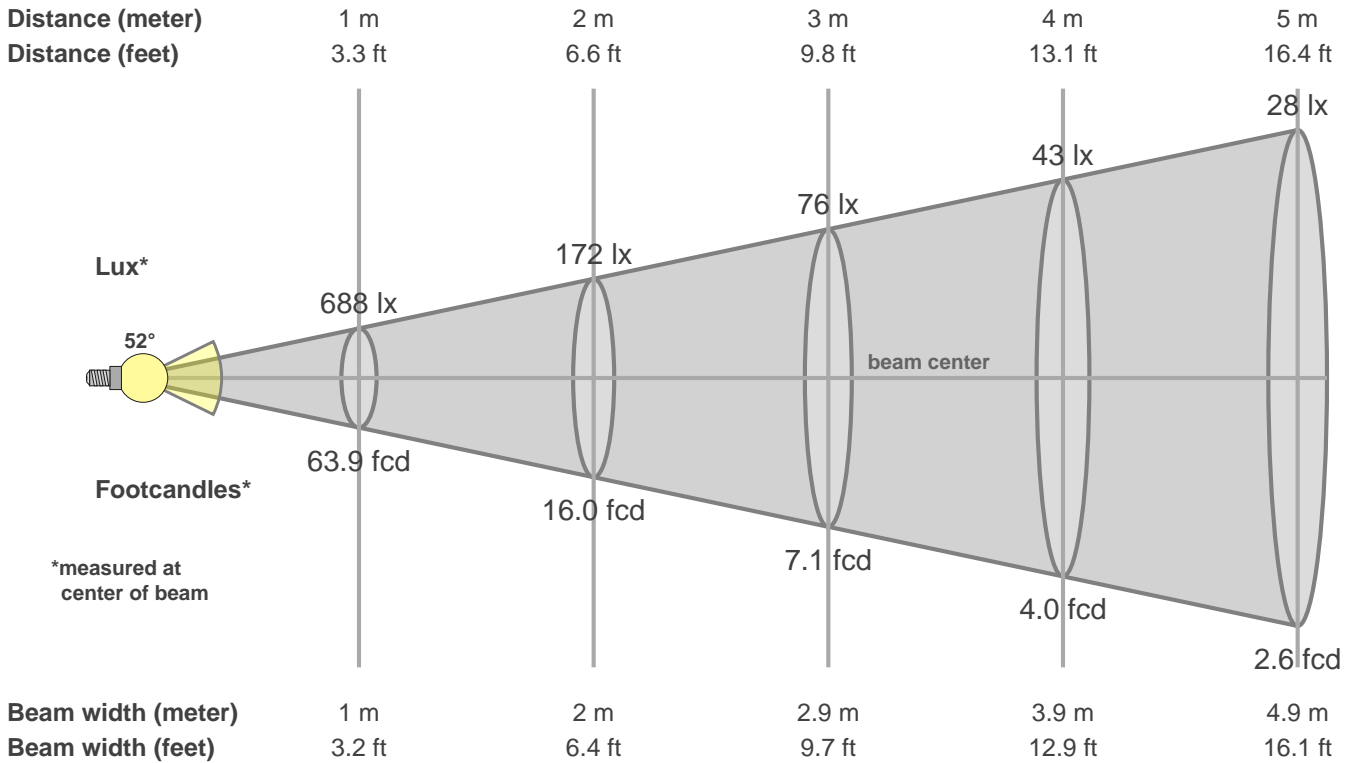
Color



CIE1931
x: 0.694
y: 0.299

Spectra





Intensities in 0° c-plane

0°	2°	4°	6°	8°	10°	12°	14°	16°	18°	20°	22°	24°	26°	28°	30°	32°	34°	36°	38°
688	686	681	673	656	632	602	566	526	487	449	412	379	347	317	288	260	234	208	184
100%	100%	99%	98%	95%	92%	88%	82%	77%	71%	65%	60%	55%	50%	46%	42%	38%	34%	30%	27%

Intensities in 90° c-plane

0°	2°	4°	6°	8°	10°	12°	14°	16°	18°	20°	22°	24°	26°	28°	30°	32°	34°	36°	38°
688	687	680	669	651	627	598	560	521	480	440	403	369	338	310	282	256	230	204	180
100%	100%	99%	97%	95%	91%	87%	81%	76%	70%	64%	59%	54%	49%	45%	41%	37%	33%	30%	26%

Intensities in 180° c-plane

0°	2°	4°	6°	8°	10°	12°	14°	16°	18°	20°	22°	24°	26°	28°	30°	32°	34°	36°	38°
688	686	681	673	656	632	602	566	526	487	449	412	379	347	317	288	260	234	208	184
100%	100%	99%	98%	95%	92%	88%	82%	77%	71%	65%	60%	55%	50%	46%	42%	38%	34%	30%	27%

Intensities in 270° c-plane

0°	2°	4°	6°	8°	10°	12°	14°	16°	18°	20°	22°	24°	26°	28°	30°	32°	34°	36°	38°
688	687	680	669	651	627	598	560	521	480	440	403	369	338	310	282	256	230	204	180
100%	100%	99%	97%	95%	91%	87%	81%	76%	70%	64%	59%	54%	49%	45%	41%	37%	33%	30%	26%

Beam angle 50%	Field angle 10%	Cutoff angle 2.5%	Intensity ratio in 120° cone	Intensity ratio in 90° cone
52.3°	99.7°	133.5°	92.0%	81.5%