



Light efficiency:



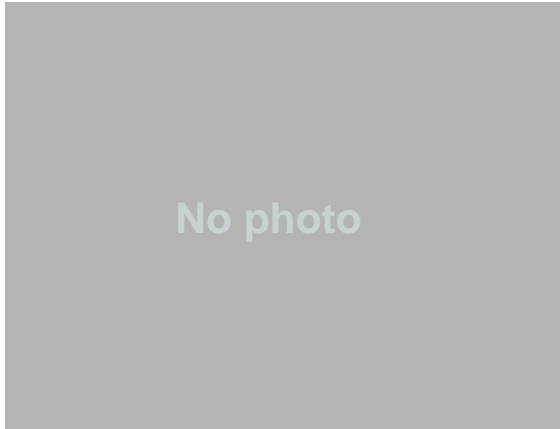
Light quality:



Color temperature:



Output: 823 lm
Peak: 24968 cd
Power: 15.8 W
48.2V @ 0.327A



Product name:
PH-FL100-RGBW40K-OM-RED-7-ELV-S

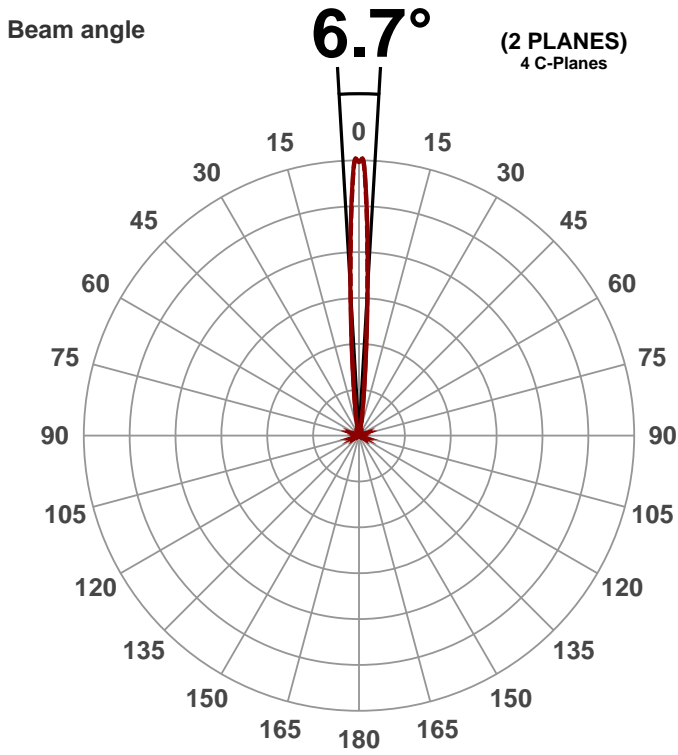
Date and time:
19-Dec-16 2:52:44 PM

Additional information:
FULL POWER

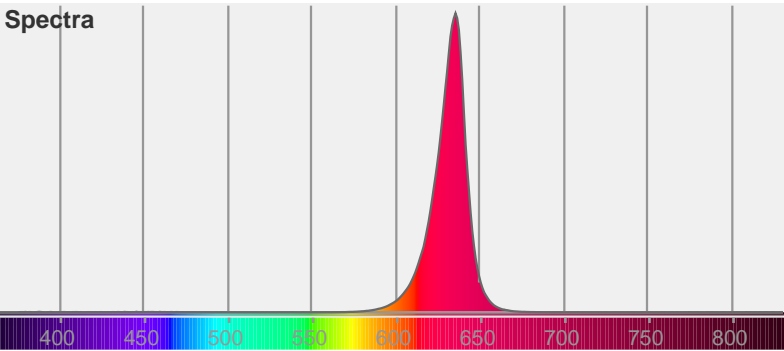
NORMALIZED: YES

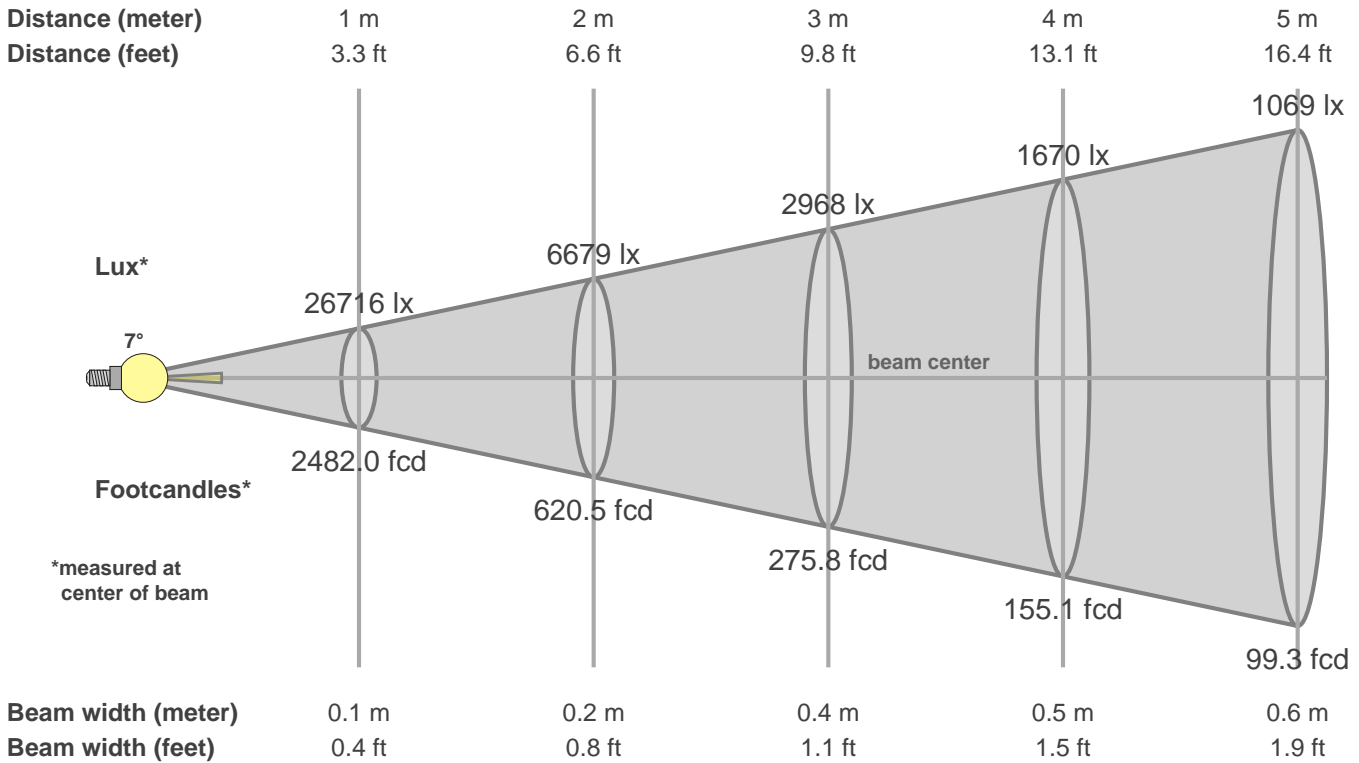
DETAILED SCAN

PERFORMED BY: PRIYA K



CIE1931
x: 0.695
y: 0.301





Intensities in 0° c-plane

0°	1°	2°	3°	4°	5°	6°	7°	8°	9°	10°	11°	12°	13°	14°	15°	16°	17°	18°	19°
26.7K	25.0K	20.5K	15.1K	10.6K	7.2K	4.9K	3.4K	2.4K	1.8K	1.3K	1.0K	0.7K	0.6K	0.4K	0.4K	0.3K	0.3K	0.2K	0.2K
100%	93%	77%	57%	40%	27%	18%	13%	9%	7%	5%	4%	3%	2%	2%	1%	1%	1%	1%	1%

Intensities in 90° c-plane

0°	1°	2°	3°	4°	5°	6°	7°	8°	9°	10°	11°	12°	13°	14°	15°	16°	17°	18°	19°
26.7K	24.8K	20.1K	14.7K	10.1K	6.8K	4.7K	3.3K	2.3K	1.7K	1.3K	1.0K	0.7K	0.6K	0.4K	0.4K	0.3K	0.2K	0.2K	0.2K
100%	93%	75%	55%	38%	26%	18%	12%	9%	6%	5%	4%	3%	2%	2%	1%	1%	1%	1%	1%

Intensities in 180° c-plane

0°	1°	2°	3°	4°	5°	6°	7°	8°	9°	10°	11°	12°	13°	14°	15°	16°	17°	18°	19°
26.7K	25.0K	20.5K	15.1K	10.6K	7.2K	4.9K	3.4K	2.4K	1.8K	1.3K	1.0K	0.7K	0.6K	0.4K	0.4K	0.3K	0.3K	0.2K	0.2K
100%	93%	77%	57%	40%	27%	18%	13%	9%	7%	5%	4%	3%	2%	2%	1%	1%	1%	1%	1%

Intensities in 270° c-plane

0°	1°	2°	3°	4°	5°	6°	7°	8°	9°	10°	11°	12°	13°	14°	15°	16°	17°	18°	19°
26.7K	24.8K	20.1K	14.7K	10.1K	6.8K	4.7K	3.3K	2.3K	1.7K	1.3K	1.0K	0.7K	0.6K	0.4K	0.4K	0.3K	0.2K	0.2K	0.2K
100%	93%	75%	55%	38%	26%	18%	12%	9%	6%	5%	4%	3%	2%	2%	1%	1%	1%	1%	1%

Beam angle 50%	Field angle 10%	Cutoff angle 2.5%	Intensity ratio in 120° cone	Intensity ratio in 90° cone
6.7°	15.4°	24.8°	93.5%	89.6%