

**Light efficiency:**

**37 Lumen/Watt**

**Light quality:**

**CRI: 0.0**

**Color temperature:**

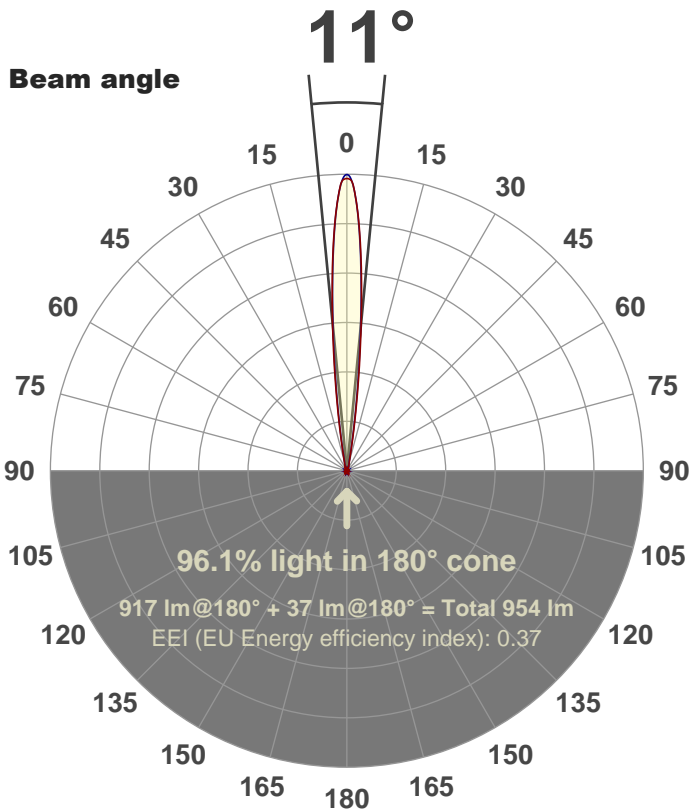
**0 K**

**Output: 917 lm**

**Peak: 15192 cd**

**Power: 24.9 W**

**PF: 1.0**



**Product name:**

**FL25-CM-RGBW65K-IM-10-ELV-SM120-GREEN**

**Date and time:**

**03-Jul-18 11:08:23 AM**

**Additional Information:**

**LED: RGBW (6500K)**

**FIXTURE: FL25**

**FILM: 250251 (10°)**

**COLOR-AMP: ON**

**STABILIZED: YES**

**COLOR (RGBW): GREEN**

**PERFORMED BY: ABDULLAH QURESHI**

**Color**

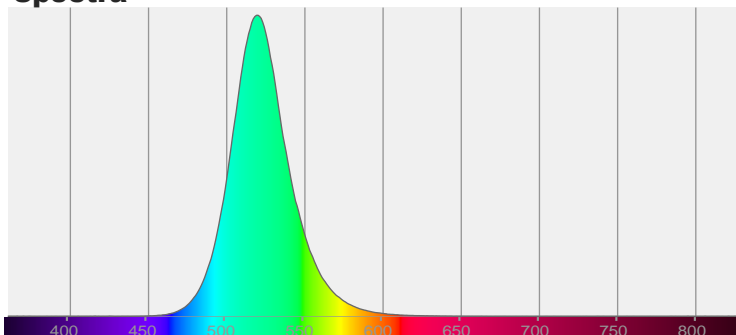


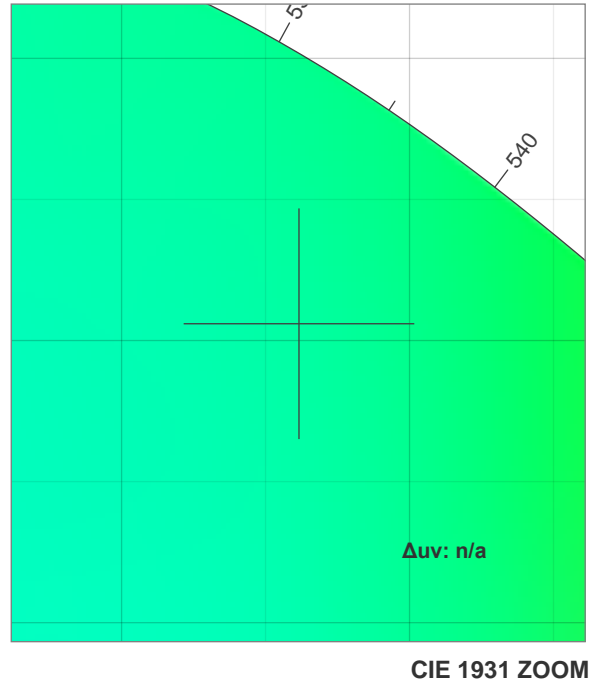
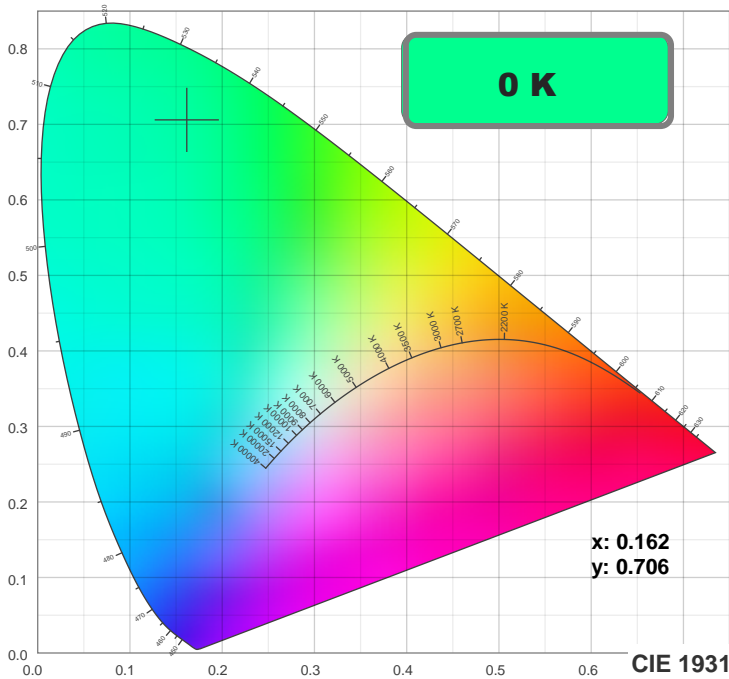
**CIE 1931**

**x: 0.162**

**y: 0.706**

**Spectra**





**TM30: 0.0**

**CRI: 0.0 (R1-R8)**



**CRI R values, only R1-R8 are used to calculate final CRI value**

| R1  | R2  | R3  | R4  | R5  | R6  | R7  | R8  | R9  | R10 | R11 | R12 | R13 | R14 | R15 |
|-----|-----|-----|-----|-----|-----|-----|-----|-----|-----|-----|-----|-----|-----|-----|
| 0.0 | 0.0 | 0.0 | 0.0 | 0.0 | 0.0 | 0.0 | 0.0 | 0.0 | 0.0 | 0.0 | 0.0 | 0.0 | 0.0 | 0.0 |

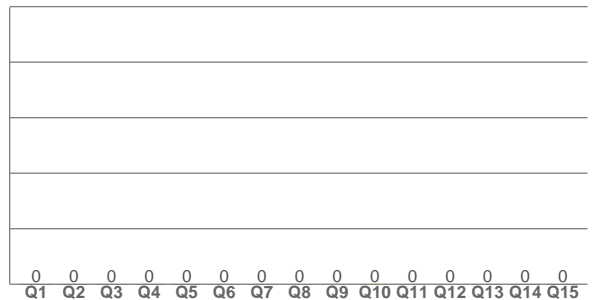
**TM30 C values, 16 binned values out of total of 99 C values**

| C1  | C2  | C3  | C4  | C5  | C6  | C7  | C8  | C9  | C10 | C11 | C12 | C13 | C14 | C15 | C16 |
|-----|-----|-----|-----|-----|-----|-----|-----|-----|-----|-----|-----|-----|-----|-----|-----|
| 0.0 | 0.0 | 0.0 | 0.0 | 0.0 | 0.0 | 0.0 | 0.0 | 0.0 | 0.0 | 0.0 | 0.0 | 0.0 | 0.0 | 0.0 | 0.0 |

**CQS Q values**

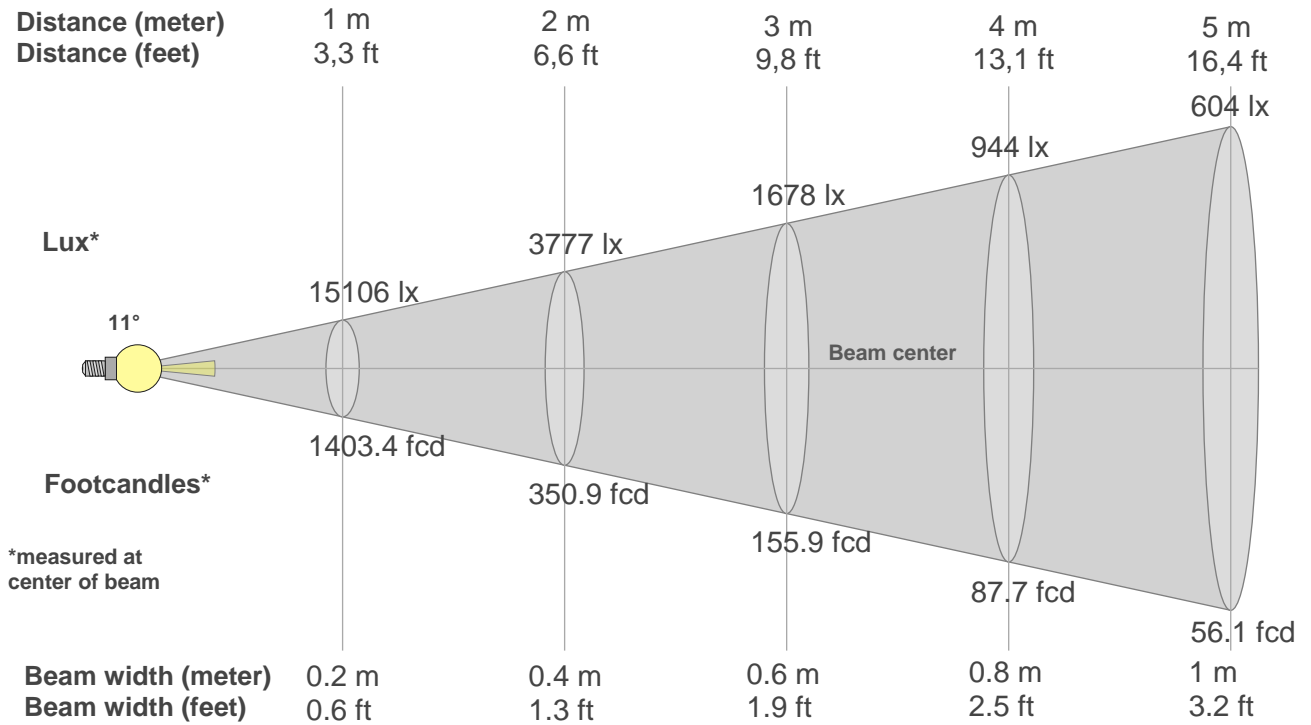
| Q1  | Q2  | Q3  | Q4  | Q5  | Q6  | Q7  | Q8  | Q9  | Q10 | Q11 | Q12 | Q13 | Q14 | Q15 |
|-----|-----|-----|-----|-----|-----|-----|-----|-----|-----|-----|-----|-----|-----|-----|
| 0.0 | 0.0 | 0.0 | 0.0 | 0.0 | 0.0 | 0.0 | 0.0 | 0.0 | 0.0 | 0.0 | 0.0 | 0.0 | 0.0 | 0.0 |

**CQS: 0.0**



## Color parameters

| Color temperature | Color rendering index | Red component | Color fidelity | Color gamut | Color quality scale | Color coordinate cie 1931 | Color coordinate cie 1931 | Color coordinate | Color coordinate | Color deviation from black body |
|-------------------|-----------------------|---------------|----------------|-------------|---------------------|---------------------------|---------------------------|------------------|------------------|---------------------------------|
| CCT               | CRI                   | CRI R9        | TM30 Rf        | TM30 Rg     | CQS                 | x                         | y                         | u                | v                | Δuv                             |
| 0 K               | 0.0                   | 0.0           | 0.0            | 0.0         | 0.0                 | 0.162                     | 0.706                     | 0.058            | 0.380            | n/a                             |



### Beam intensities from 1-20m

| 1m        | 2m       | 3m       | 4m      | 5m      | 6m     | 7m      | 8m      | 9m      | 10m    | 11m     | 12m    | 13m    | 14m    | 15m    | 16m    | 17m    | 18m    | 19m    | 20m    |
|-----------|----------|----------|---------|---------|--------|---------|---------|---------|--------|---------|--------|--------|--------|--------|--------|--------|--------|--------|--------|
| 3.3ft     | 6.6ft    | 9.8ft    | 13.1ft  | 16.4ft  | 19.7ft | 23ft    | 26.2ft  | 29.5ft  | 32.8ft | 36.1ft  | 39.4ft | 42.7ft | 45.9ft | 49.2ft | 52.5ft | 55.8ft | 59.1ft | 62.3ft | 65.6ft |
| 15106lx   | 3777lx   | 1678lx   | 944lx   | 604lx   | 420lx  | 308lx   | 236lx   | 186lx   | 151lx  | 125lx   | 105lx  | 89lx   | 77lx   | 67lx   | 59lx   | 52lx   | 47lx   | 42lx   | 38lx   |
| 1403.4fcd | 350.9fcd | 155.9fcd | 87.7fcd | 56.1fcd | 39fcd  | 28.6fcd | 21.9fcd | 17.3fcd | 14fcd  | 11.6fcd | 9.7fcd | 8.3fcd | 7.2fcd | 6.2fcd | 5.5fcd | 4.9fcd | 4.3fcd | 3.9fcd | 3.5fcd |

### Intensities in 0° c-plane

| 0°    | 1°    | 2°    | 3°    | 4°    | 5°   | 6°   | 7°   | 8°   | 9°   | 10°  | 11°  | 12°  | 13°  | 14°  | 15°  | 16°  | 17°  | 18°  | 19°  |
|-------|-------|-------|-------|-------|------|------|------|------|------|------|------|------|------|------|------|------|------|------|------|
| 15.1K | 14.8K | 13.8K | 12.4K | 10.6K | 8.7K | 6.8K | 5.1K | 3.7K | 2.7K | 1.9K | 1.3K | 1.0K | 0.7K | 0.6K | 0.5K | 0.4K | 0.4K | 0.4K | 0.3K |
| 100%  | 98%   | 92%   | 82%   | 70%   | 57%  | 45%  | 34%  | 25%  | 18%  | 12%  | 9%   | 6%   | 5%   | 4%   | 3%   | 3%   | 3%   | 2%   | 2%   |

### Intensities in 90° c-plane

| 0°    | 1°    | 2°    | 3°    | 4°    | 5°   | 6°   | 7°   | 8°   | 9°   | 10°  | 11°  | 12°  | 13°  | 14°  | 15°  | 16°  | 17°  | 18°  | 19°  |
|-------|-------|-------|-------|-------|------|------|------|------|------|------|------|------|------|------|------|------|------|------|------|
| 15.1K | 14.8K | 13.8K | 12.3K | 10.4K | 8.3K | 6.4K | 4.7K | 3.4K | 2.3K | 1.6K | 1.1K | 0.8K | 0.6K | 0.5K | 0.4K | 0.4K | 0.4K | 0.3K | 0.3K |
| 100%  | 98%   | 91%   | 81%   | 69%   | 55%  | 42%  | 31%  | 22%  | 15%  | 10%  | 7%   | 5%   | 4%   | 3%   | 3%   | 3%   | 2%   | 2%   | 2%   |

### Intensities in 180° c-plane

| 0°    | 1°    | 2°    | 3°    | 4°    | 5°   | 6°   | 7°   | 8°   | 9°   | 10°  | 11°  | 12°  | 13°  | 14°  | 15°  | 16°  | 17°  | 18°  | 19°  |
|-------|-------|-------|-------|-------|------|------|------|------|------|------|------|------|------|------|------|------|------|------|------|
| 15.1K | 14.8K | 13.8K | 12.4K | 10.6K | 8.7K | 6.8K | 5.1K | 3.7K | 2.7K | 1.9K | 1.3K | 1.0K | 0.7K | 0.6K | 0.5K | 0.4K | 0.4K | 0.4K | 0.3K |
| 100%  | 98%   | 92%   | 82%   | 70%   | 57%  | 45%  | 34%  | 25%  | 18%  | 12%  | 9%   | 6%   | 5%   | 4%   | 3%   | 3%   | 3%   | 2%   | 2%   |

### Intensities in 270° c-plane

| 0°    | 1°    | 2°    | 3°    | 4°    | 5°   | 6°   | 7°   | 8°   | 9°   | 10°  | 11°  | 12°  | 13°  | 14°  | 15°  | 16°  | 17°  | 18°  | 19°  |
|-------|-------|-------|-------|-------|------|------|------|------|------|------|------|------|------|------|------|------|------|------|------|
| 15.1K | 14.8K | 13.8K | 12.3K | 10.4K | 8.3K | 6.4K | 4.7K | 3.4K | 2.3K | 1.6K | 1.1K | 0.8K | 0.6K | 0.5K | 0.4K | 0.4K | 0.4K | 0.3K | 0.3K |
| 100%  | 98%   | 91%   | 81%   | 69%   | 55%  | 42%  | 31%  | 22%  | 15%  | 10%  | 7%   | 5%   | 4%   | 3%   | 3%   | 3%   | 2%   | 2%   | 2%   |

| Beam angle 50% | Field angle 10% | Cutoff angle 2,5% | Intensity ratio in 120° cone | Intensity ratio in 90° cone |
|----------------|-----------------|-------------------|------------------------------|-----------------------------|
| 11°            | 20.8°           | 34.6°             | 91.4%                        | 88.7%                       |