

**Light efficiency:**



**Light quality:**



**Color temperature:**

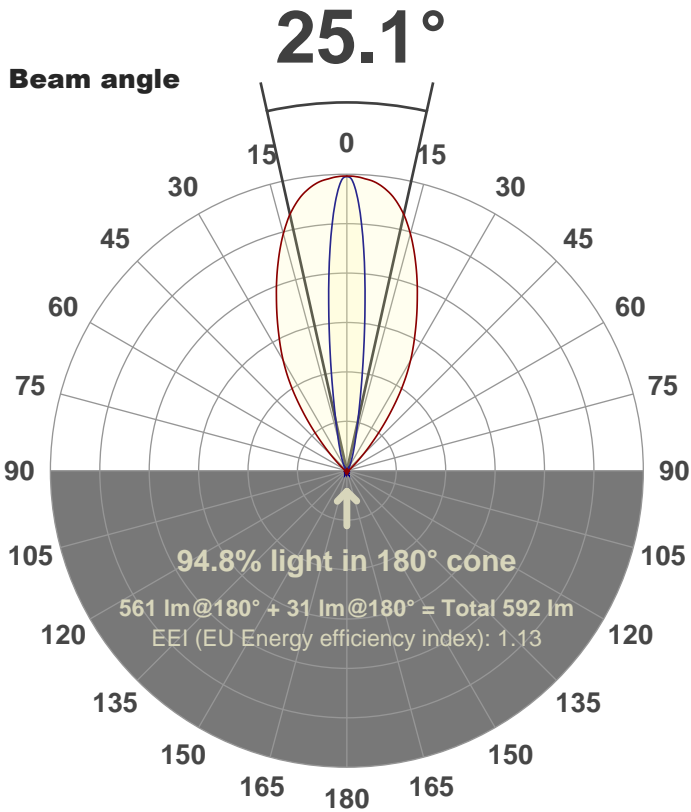


**Output: 561 lm**

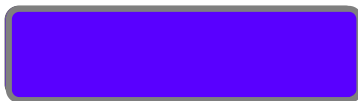
**Peak: 1742 cd**

**Power: 50.0 W**

**PF: 1.0**



**Color**



**CIE 1931**

**x: 0.151**

**y: 0.029**

**Product name:**

**FL50-CM-RGBW65K-IM-10X60-ELV-SM-BLUE**

**Date and time:**

**01-Jun-18 11:50:27 AM**

**Additional Information:**

**LED: RGBW**

**FIXTURE: FL50**

**FILM: 250260 (10°X60°)**

**COLORAMP: ON**

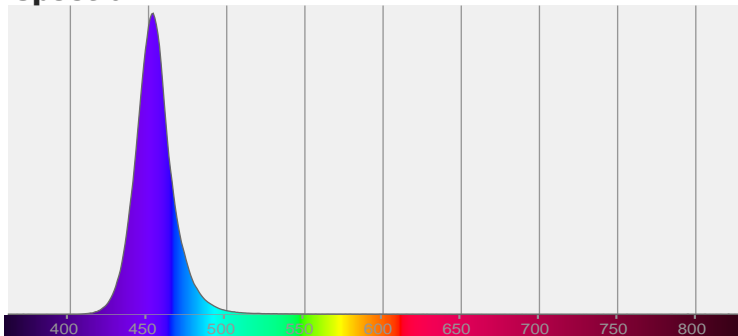
**STABILIZED: YES**

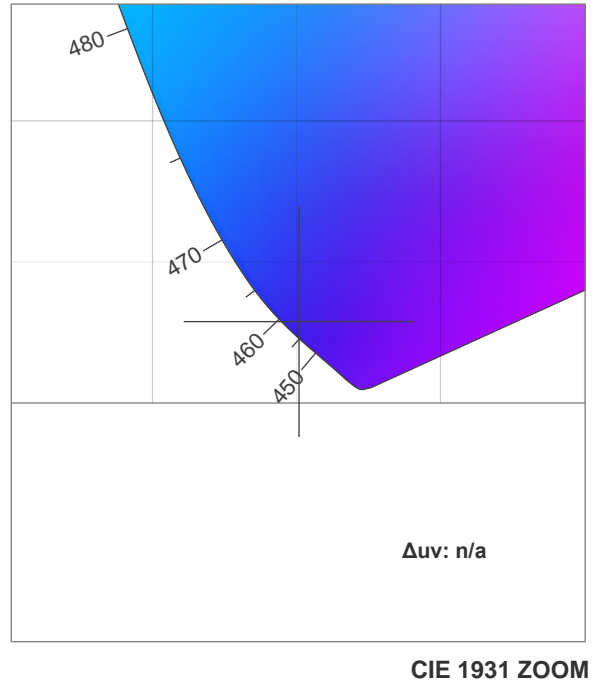
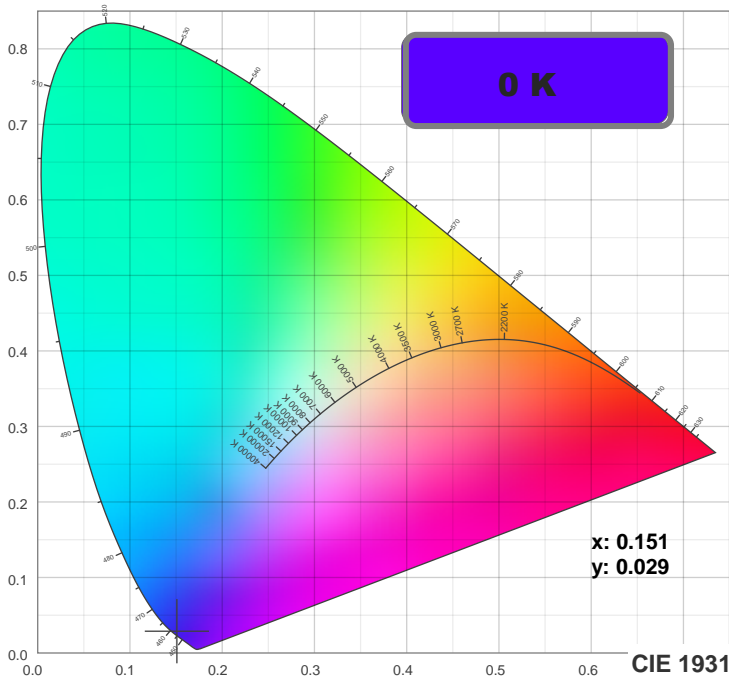
**COLOR (RGBW): BLUE**

**FWHM: 14°X54.5°**

**PERFORMED BY: ABDULLAH QURESHI**

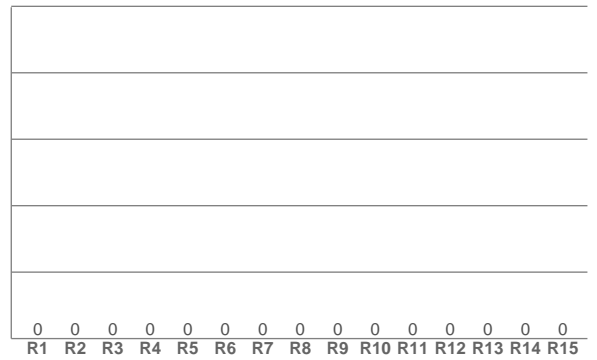
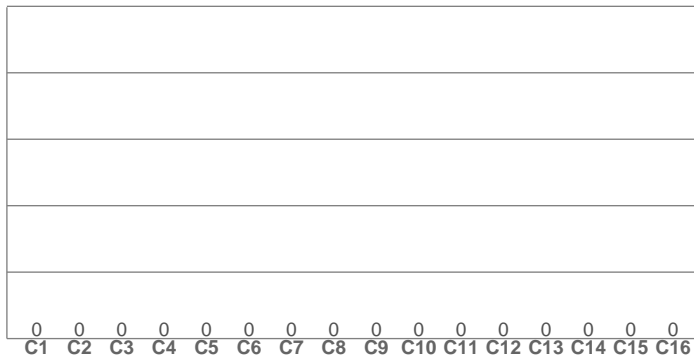
**Spectra**





**TM30: 0.0**

**CRI: 0.0 (R1-R8)**



**CRI R values, only R1-R8 are used to calculate final CRI value**

R1	R2	R3	R4	R5	R6	R7	R8	R9	R10	R11	R12	R13	R14	R15
0.0	0.0	0.0	0.0	0.0	0.0	0.0	0.0	0.0	0.0	0.0	0.0	0.0	0.0	0.0

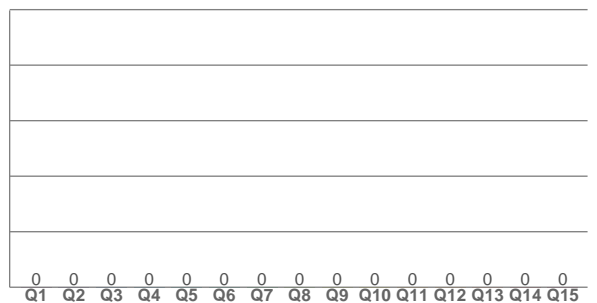
**TM30 C values, 16 binned values out of total of 99 C values**

C1	C2	C3	C4	C5	C6	C7	C8	C9	C10	C11	C12	C13	C14	C15	C16
0.0	0.0	0.0	0.0	0.0	0.0	0.0	0.0	0.0	0.0	0.0	0.0	0.0	0.0	0.0	0.0

**CQS Q values**

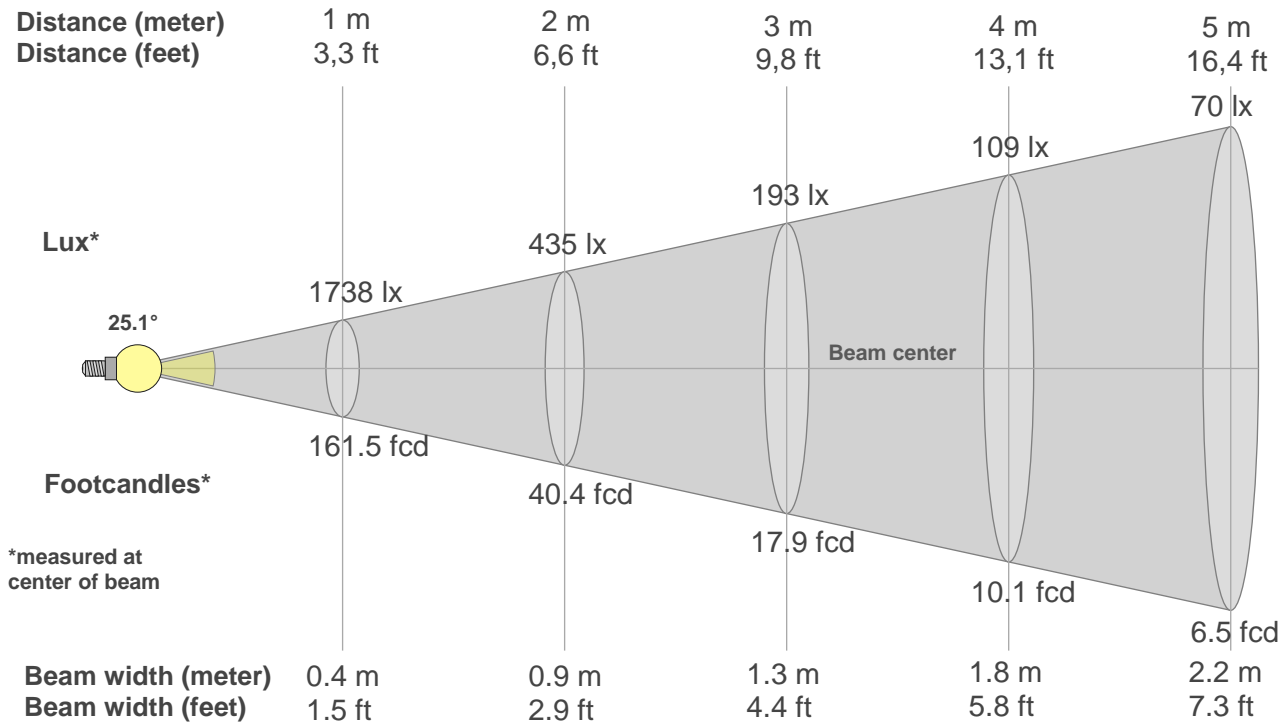
Q1	Q2	Q3	Q4	Q5	Q6	Q7	Q8	Q9	Q10	Q11	Q12	Q13	Q14	Q15
0.0	0.0	0.0	0.0	0.0	0.0	0.0	0.0	0.0	0.0	0.0	0.0	0.0	0.0	0.0

**CQS: 0.0**



## Color parameters

Color temperature	Color rendering index	Red component	Color fidelity	Color gamut	Color quality scale	Color coordinate cie 1931	Color coordinate cie 1931	Color coordinate	Color coordinate	Color deviation from black body
<b>CCT</b>	<b>CRI</b>	<b>CRI R9</b>	<b>TM30 Rf</b>	<b>TM30 Rg</b>	<b>CQS</b>	<b>x</b>	<b>y</b>	<b>u</b>	<b>v</b>	<b>Δuv</b>
<b>0 K</b>	<b>0.0</b>	<b>0.0</b>	<b>0.0</b>	<b>0.0</b>	<b>0.0</b>	<b>0.151</b>	<b>0.029</b>	<b>0.198</b>	<b>0.057</b>	<b>n/a</b>



### Beam intensities from 1-20m

1m	2m	3m	4m	5m	6m	7m	8m	9m	10m	11m	12m	13m	14m	15m	16m	17m	18m	19m	20m
3.3ft	6.6ft	9.8ft	13.1ft	16.4ft	19.7ft	23ft	26.2ft	29.5ft	32.8ft	36.1ft	39.4ft	42.7ft	45.9ft	49.2ft	52.5ft	55.8ft	59.1ft	62.3ft	65.6ft
1738lx	435lx	193lx	109lx	70lx	48lx	35lx	27lx	21lx	17lx	14lx	12lx	10lx	9lx	8lx	7lx	6lx	5lx	5lx	4lx
161.5fcd	40.4fcd	17.9fcd	10.1fcd	6.5fcd	4.5fcd	3.3fcd	2.5fcd	2fcd	1.6fcd	1.3fcd	1.1fcd	1fcd	0.8fcd	0.7fcd	0.6fcd	0.6fcd	0.5fcd	0.4fcd	0.4fcd

### Intensities in 0° c-plane

0°	2°	4°	6°	8°	10°	12°	14°	16°	18°	20°	22°	24°	26°	28°	30°	32°	34°	36°	38°
1738	1739	1727	1709	1677	1631	1570	1493	1405	1310	1212	1112	1017	926	839	753	663	568	470	377
100%	100%	99%	98%	96%	94%	90%	86%	81%	75%	70%	64%	59%	53%	48%	43%	38%	33%	27%	22%

### Intensities in 90° c-plane

0°	2°	4°	6°	8°	10°	12°	14°	16°	18°	20°	22°	24°	26°	28°	30°	32°	34°	36°	38°
1738	1636	1368	1029	714	478	328	234	175	134	104	81	64	51	42	34	29	25	22	19
100%	94%	79%	59%	41%	27%	19%	13%	10%	8%	6%	5%	4%	3%	2%	2%	2%	1%	1%	1%

### Intensities in 180° c-plane

0°	2°	4°	6°	8°	10°	12°	14°	16°	18°	20°	22°	24°	26°	28°	30°	32°	34°	36°	38°
1738	1739	1727	1709	1677	1631	1570	1493	1405	1310	1212	1112	1017	926	839	753	663	568	470	377
100%	100%	99%	98%	96%	94%	90%	86%	81%	75%	70%	64%	59%	53%	48%	43%	38%	33%	27%	22%

### Intensities in 270° c-plane

0°	2°	4°	6°	8°	10°	12°	14°	16°	18°	20°	22°	24°	26°	28°	30°	32°	34°	36°	38°
1738	1636	1368	1029	714	478	328	234	175	134	104	81	64	51	42	34	29	25	22	19
100%	94%	79%	59%	41%	27%	19%	13%	10%	8%	6%	5%	4%	3%	2%	2%	2%	1%	1%	1%

Beam angle 50%	Field angle 10%	Cutoff angle 2,5%	Intensity ratio in 120° cone	Intensity ratio in 90° cone
25.1°	49.3°	75.9°	89.5%	84.3%