

**Light efficiency:**

**21 Lumen/Watt**

**Light quality:**

**CRI: 0.0**

**Color temperature:**

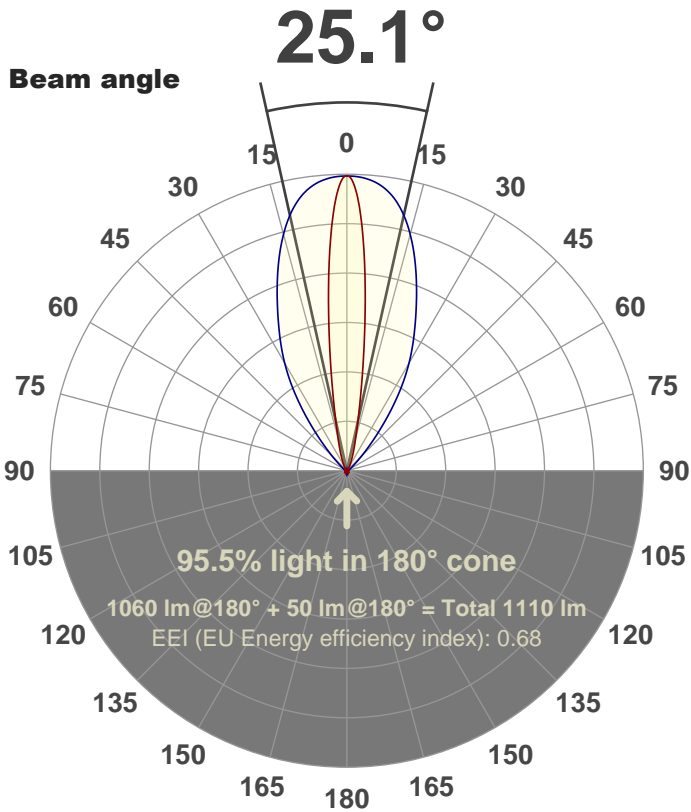
**0 K**

**Output: 1060 lm**

**Peak: 3354 cd**

**Power: 50.0 W**

**PF: 1.0**



**Color**



**CIE 1931**  
**x: 0.701**  
**y: 0.298**

**Product name:**

**FL50-CM-RGBW65K-IM-60X10-ELV-SM-RED**

**Date and time:**

**01-Jun-18 1:01:56 PM**

**Additional Information:**

**LED: RGBW**

**FIXTURE: FL50**

**FILM: 250265 (60°X10°)**

**COLORAMP: ON**

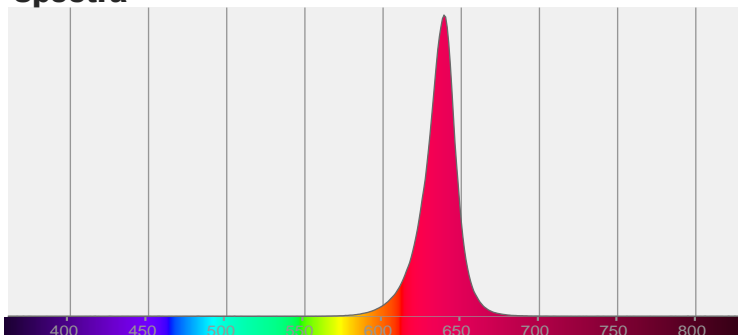
**STABILIZED: YES**

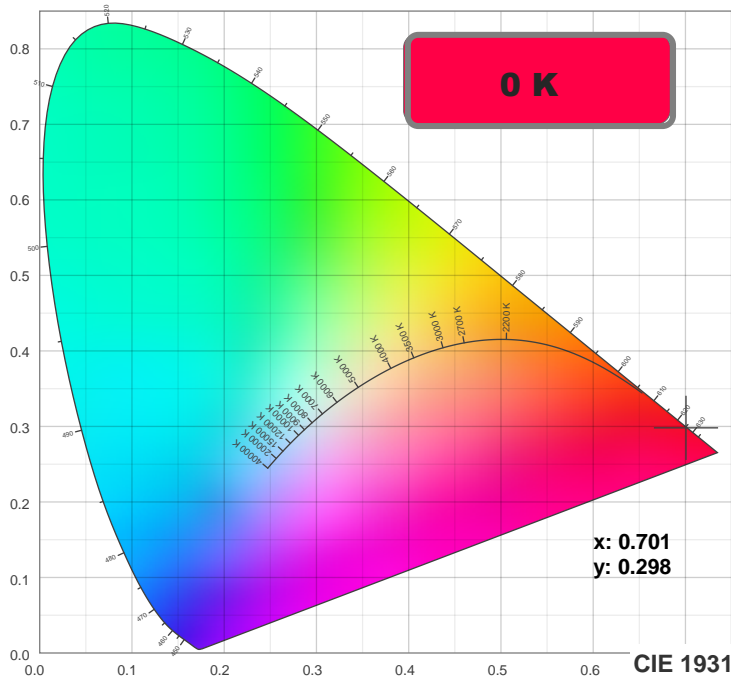
**COLOR (RGBW): RED**

**FWHM: 53.8°X14.1°**

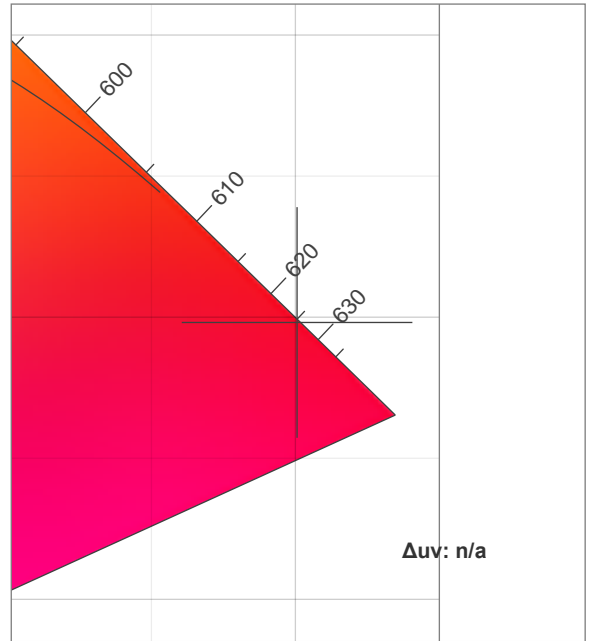
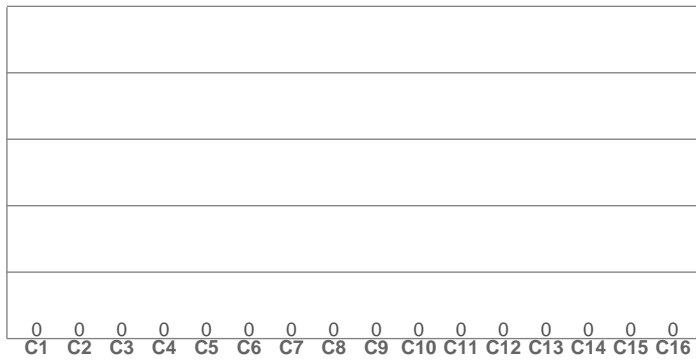
**PERFORMED BY: ABDULLAH QURESHI**

**Spectra**



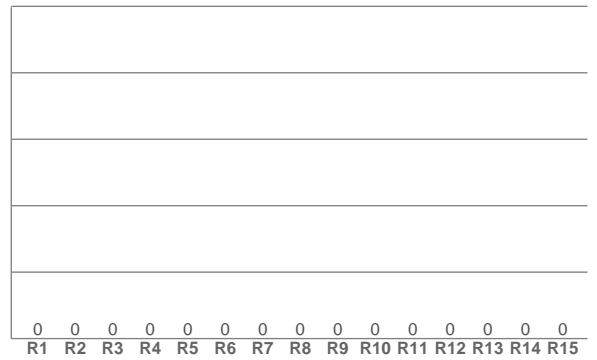


**TM30: 0.0**

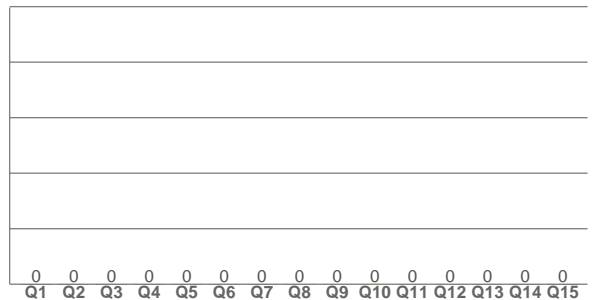


**CIE 1931 ZOOM**

**CRI: 0.0 (R1-R8)**



**CQS: 0.0**



**CRI R values, only R1-R8 are used to calculate final CRI value**

R1	R2	R3	R4	R5	R6	R7	R8	R9	R10	R11	R12	R13	R14	R15
0.0	0.0	0.0	0.0	0.0	0.0	0.0	0.0	0.0	0.0	0.0	0.0	0.0	0.0	0.0

**TM30 C values, 16 binned values out of total of 99 C values**

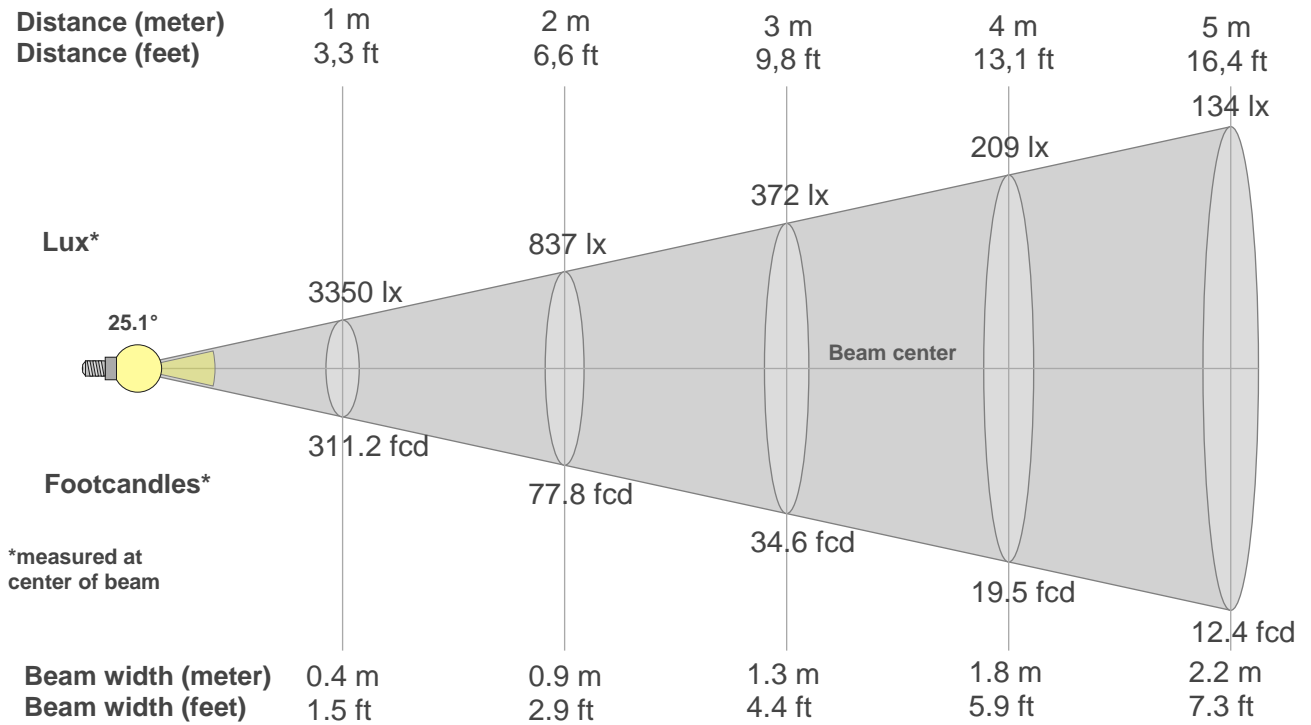
C1	C2	C3	C4	C5	C6	C7	C8	C9	C10	C11	C12	C13	C14	C15	C16
0.0	0.0	0.0	0.0	0.0	0.0	0.0	0.0	0.0	0.0	0.0	0.0	0.0	0.0	0.0	0.0

**CQS Q values**

Q1	Q2	Q3	Q4	Q5	Q6	Q7	Q8	Q9	Q10	Q11	Q12	Q13	Q14	Q15
0.0	0.0	0.0	0.0	0.0	0.0	0.0	0.0	0.0	0.0	0.0	0.0	0.0	0.0	0.0

## Color parameters

Color temperature	Color rendering index	Red component	Color fidelity	Color gamut	Color quality scale	Color coordinate cie 1931	Color coordinate cie 1931	Color coordinate	Color coordinate	Color deviation from black body
<b>CCT</b>	<b>CRI</b>	<b>CRI R9</b>	<b>TM30 Rf</b>	<b>TM30 Rg</b>	<b>CQS</b>	<b>x</b>	<b>y</b>	<b>u</b>	<b>v</b>	<b>Δuv</b>
<b>0 K</b>	<b>0.0</b>	<b>0.0</b>	<b>0.0</b>	<b>0.0</b>	<b>0.0</b>	<b>0.701</b>	<b>0.298</b>	<b>0.541</b>	<b>0.346</b>	<b>n/a</b>



### Beam intensities from 1-20m

1m	2m	3m	4m	5m	6m	7m	8m	9m	10m	11m	12m	13m	14m	15m	16m	17m	18m	19m	20m
3.3ft	6.6ft	9.8ft	13.1ft	16.4ft	19.7ft	23ft	26.2ft	29.5ft	32.8ft	36.1ft	39.4ft	42.7ft	45.9ft	49.2ft	52.5ft	55.8ft	59.1ft	62.3ft	65.6ft
3350lx	837lx	372lx	209lx	134lx	93lx	68lx	52lx	41lx	33lx	28lx	23lx	20lx	17lx	15lx	13lx	12lx	10lx	9lx	8lx
311.2fcd	77.8fcd	34.6fcd	19.5fcd	12.4fcd	8.6fcd	6.4fcd	4.9fcd	3.8fcd	3.1fcd	2.6fcd	2.2fcd	1.8fcd	1.6fcd	1.4fcd	1.2fcd	1.1fcd	1fcd	0.9fcd	0.8fcd

### Intensities in 0° c-plane

0°	2°	4°	6°	8°	10°	12°	14°	16°	18°	20°	22°	24°	26°	28°	30°	32°	34°	36°	38°
3350	3157	2649	2002	1399	939	641	458	341	260	201	155	121	96	77	63	52	44	38	33
100%	94%	79%	60%	42%	28%	19%	14%	10%	8%	6%	5%	4%	3%	2%	2%	2%	1%	1%	1%

### Intensities in 90° c-plane

0°	2°	4°	6°	8°	10°	12°	14°	16°	18°	20°	22°	24°	26°	28°	30°	32°	34°	36°	38°
3350	3349	3329	3291	3229	3139	3019	2869	2697	2509	2313	2117	1929	1753	1585	1415	1237	1048	857	675
100%	100%	99%	98%	96%	94%	90%	86%	81%	75%	69%	63%	58%	52%	47%	42%	37%	31%	26%	20%

### Intensities in 180° c-plane

0°	2°	4°	6°	8°	10°	12°	14°	16°	18°	20°	22°	24°	26°	28°	30°	32°	34°	36°	38°
3350	3157	2649	2002	1399	939	641	458	341	260	201	155	121	96	77	63	52	44	38	33
100%	94%	79%	60%	42%	28%	19%	14%	10%	8%	6%	5%	4%	3%	2%	2%	2%	1%	1%	1%

### Intensities in 270° c-plane

0°	2°	4°	6°	8°	10°	12°	14°	16°	18°	20°	22°	24°	26°	28°	30°	32°	34°	36°	38°
3350	3349	3329	3291	3229	3139	3019	2869	2697	2509	2313	2117	1929	1753	1585	1415	1237	1048	857	675
100%	100%	99%	98%	96%	94%	90%	86%	81%	75%	69%	63%	58%	52%	47%	42%	37%	31%	26%	20%

Beam angle 50%	Field angle 10%	Cutoff angle 2,5%	Intensity ratio in 120° cone	Intensity ratio in 90° cone
25.1°	49.3°	74.8°	90.8%	86.1%