

KRONA-IV™ Recessed LED Downlight

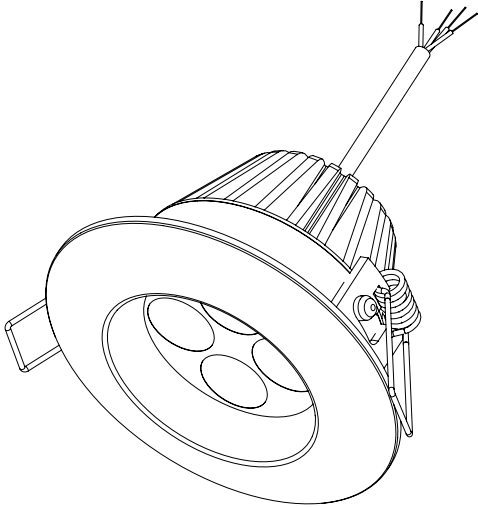
Product Specification Sheet

Date: _____

Type: _____

Company: _____

Project: _____



KRONA-IV™ is a fixed recessed down light using 4 high power LEDs. Typical applications include general and display lighting for retail locations, office and residential down lighting, spot lighting for displays and exhibitions and effect lighting.

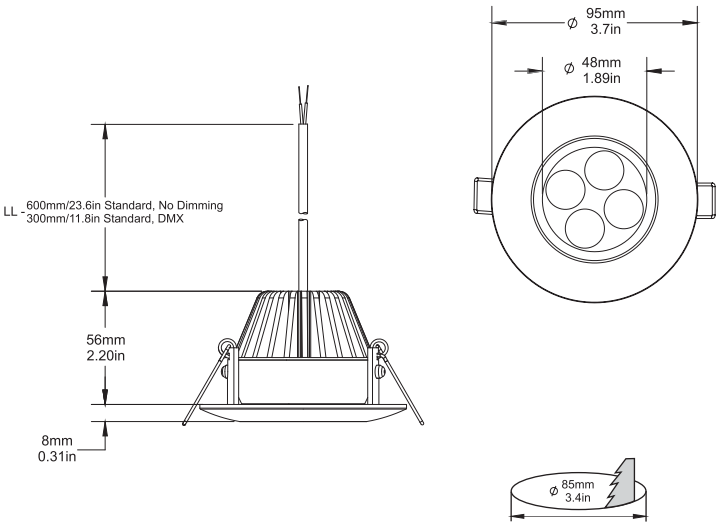
KRONA-IV™ is available in 6 LED color temperatures of white as well as amber, red, green and blue.

The die-cast aluminum body is available in three color finishes: White, Graphite Black and Silver Grey

Three different beam angles are available; Narrow Beam 12°, Medium Beam 20° and Wide Beam 42°.

KRONA-IV™ can mount directly into a hole of 85mm diameter or with GVA's drywall rough-in plate. With both mounting options, retaining springs hold the KRONA-IV™ firmly in place.

Mechanical Drawing



Features

- Built-in high efficiency switching LED driver
- Typical power consumption only 4.8W
- Standard Color Rendering Index (CRI) 85
- Die cast aluminum body designed for superior thermal management
- Cool beam, no heat (IR) from light source, no UV generated
- Simple mounting with retaining springs
- Input voltage 24VDC
- For dry location installation only
- 5 Year Limited Warranty

Options

- Body and trim available in 3 solid color finishes: White, Graphite Black and Silver Gray
- Three Beam patterns available: Narrow (12°), Medium (20°), Wide (42°)
- Six color temperatures of White diodes, plus Amber, Red, Green and Blue
- High CRI available (Typically 92)

Specification Logic

FAMILY	BODY COLOR	LED QTY.	LED POWER	LED COLOR	CRI	OPTIC	CONTROL	OPTIONS
KRN4	WT - White BLK - Graphite Black SR - Silver Gray	4	1W	2700K 3000K 3500K 4000K 5000K 6500K AM - Amber GR - Green BL - Blue	H3 - Standard (85) H1 - High CRI (92)	NB - Narrow Beam (12° FWHM) MB - Medium Beam (20° FWHM) WB - Wide Beam (42° FWHM)	ND - No Dimming, On/Off DMX - DMX Compatible	CA - Conduit Adapter, 1/2"NPT for 3/8" flexible conduit LL - Specify custom lead cable length in mm if not standard (ex. LL450, max. 300 for DMX)

Product Configuration

KRN4 -BLK -4 -1W -2700K -H3 -WB -DMX -CA -LL150

KRONA-IV™ Recessed LED Downlight

Product Specifications

Electrical	Rated Input Voltage:	24VDC
	Input Voltage Range:	15VDC ~ 30VDC
	Power Consumption:	4.5W typical, 5W max (DC side) 6.2W typical, 18W max (AC side) dependant on AC/DC power supply used
	Approved AC/DC Power Supplies:	LP1025-24, LP1040-24, LP1090-24, S60-24, SWS150-24, DRP240-24, DRP480S-24
Optical	Light Source:	4 x 1W Nichia LEDs 183 and 083 series
	Lumens (typical for standard CRI):	250 (2700K), 285 (3000K), 300 (3500K, 4000K, 4500K), 350 (5000K, 6500K)
	Lumens (typical for high CRI):	212 (2700K), 240 (3000K), 255 (3500K, 4000K)
	CRI:	Standard CRI (H3): 85 or High CRI (H1): 92
	Optic:	High optical efficiency PMMA (acrylic) Quad Lens
	Beam Angle (FWHM):	Narrow 12°, Medium 20° or Wide 42°
	Beam Shape:	Symmetrical
Projected Lumen Maintenance:	50,000 hours @ 25°C (B50, L70)	
Control	Interface:	On/Off (No Dimming) DMX512-A compatible(when applicable) DMX, 0~10V or DALI Dimming through PDB-ELV
	Control System:	e:cue or any third party DMX512-A controllers GVA's Push-Dimmer Third party analog (0-10VDC) controller
Physical	Dimensions:	95mm (3.74") Outside Diameter, 60mm (2.20") high, 58mm (1.70") deep from the surface
	Weight:	0.25 kg (0.56lb)
	Housing:	Die Cast Aluminum, Powder-Coated WT, BLK, SR
	Fixture Connections:	300mm lead cable with stripped wires
	Rated Operating Temperature:	-20°C to +30°C
	Environment:	Dry Locations, 0-80%, non-condensing
Certification & Safety	Listings:	ETL/cETL with approved power supplies, CE, RoHS
	Certification:	Conforms to UL Standard 1598: 2008 Certified to CSA Standard C22.250.0: 2008 UL Subject 8750 & CSA TIL B-36B used as reference standards during evaluation Complies to IEC standards 60591-1: 2008, 60598-2-2: 1997
	IEC Classification:	Recessed, Class III, IP 20, for normal use
	UL/CSA Classification:	Recessed, For Dry Locations, Type Non-IC
	LED Class:	Class 2 LED product
	    	