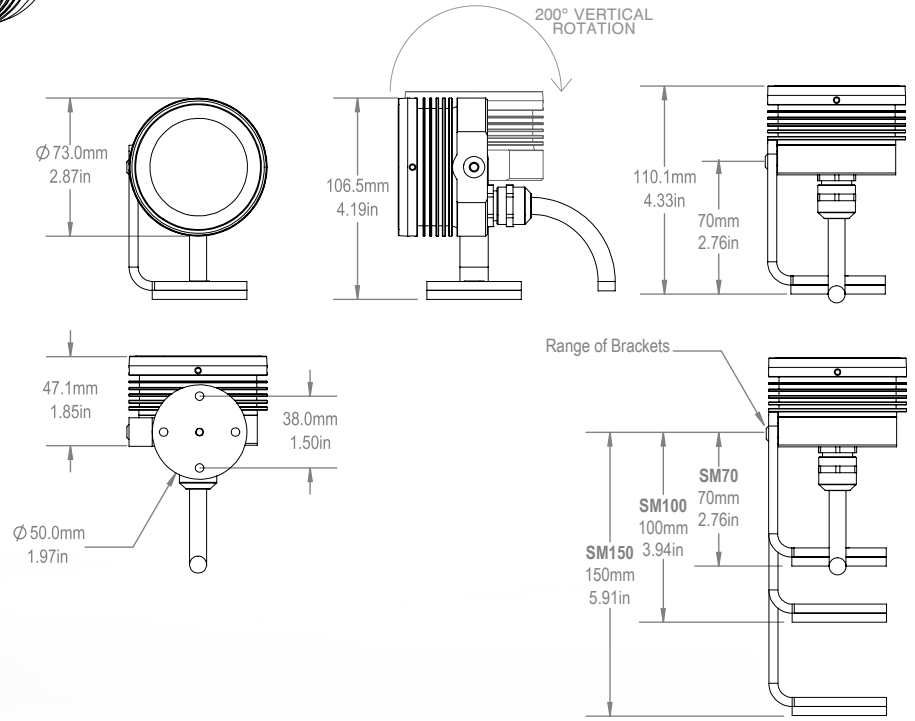


Monochromatic Architectural Spot and Flood Light

PRODUCT SPECIFICATION SHEET



DATE:	
TYPE:	
COMPANY:	
PROJECT:	



FEATURES:

- Fully sealed body design
- Machined and architectural anodized aluminum body
- Optically clear tempered glass
- Leader cable with proprietary moisture blocking design (IP68²)
- 5 year limited warranty
- Compact size, only 73mm (2.9in) in diameter
- Highly adjustable with 360° horizontal and 200° vertical rotation

OPTIONS:

- Range of LED color temperatures
- Beam angles ranging from 7° to 85° with elliptical distribution options
- Optical accessories for glare control
- Black matte and clear matte anodized colors
- Range of bracket lengths
- Outdoor Cable option suitable for outdoor exposed runs or Outdoor Burial Cable option suitable for outdoor exposed runs and direct burial (landscape applications).

SPECIFICATION LOGIC: LIRA™ MONO

FAMILY	BODY COLOR	POWER	LED COLOR	CONTROL	INPUT VOLTAGE	OPTICS (FWHM)	FLYING LEAD LENGTH	CABLE TYPE	MOUNTING
LIRA	BM - Black Matte	5W ¹	2700K	ND - Non-Dimming DMX - DMX Control ¹	24VDC	07 - 07°x07°	LL1 - 1.0m (3.3ft) LL2.5 - 2.5m (8.2ft) LL5 - 5.0m (16.4ft) LL7.5 - 7.5m (24.6ft) LL10 - 10.0m (32.8ft) LL15 - 15.0m (49.2ft) LL20 - 20.0m (65.6ft) LL25 - 25.0m (82.0ft)	OD - Outdoor OB - Outdoor Burial ¹ (Landscape)	SM70 SM100 ¹ SM150 ¹
	CM - Clear Matte	8W ¹	3000K			10 - 10°x10°			
	CUST - Custom Color ¹	10W	3500K			20 - 20°x20°			
			4000K			40 - 40°x40°			
			5000K			55 - 55°x55°			
			6500K			75 - 75°x75°			
			GR - Green ¹			85 - 85°x85°			
			RD - Red ¹			10x40 - 10°x40° H			
			BL - Blue ¹			40x10 - 40°x10° V			
			AM - Amber ¹			10x60 - 10°x60° H			
			RO - Red Orange ¹			60x10 - 60°x10° V			
			BG - Bluish Green ¹			30x55 - 30°x55° H			
RB - Royal Blue ¹	55x30 - 55°x30° V								

PRODUCT CONFIGURATION

1. Non-standard option or in development. Contact factory for lead times.
2. Product has been designed to achieve or surpass IP66/68 ratings, certification pending.

Monochromatic Architectural Spot and Flood Light

PRODUCT SPECIFICATION SHEET

PRODUCT SPECIFICATIONS: LIRA™ MONO				
ELECTRICAL	Rated Input Voltage	24VDC		
	Power Consumption (max.)	10W		
	AC/DC Power Supply	GVA Lighting, Inc. PS-ELV24-100~277VAC-IP66/IP40, or suitable 24V Class2 power supply		
OPTICAL	Light Source	Single High Power Monolithic LED		
	CRI	80 CRI (70 CRI available with higher flux ¹)		
	MONO 10W Output (typical) 7°	CCT	Luminous Flux (lm)	Peak Intensity (cd)
		2700K	648	30,780
		3000K	720	34,200
		3500K	800	38,000
		4000K	880	41,800
		5000K	968	45,980
	6500K	1,064	50,578	
	Optics (FWHM)	07 (07°x07°)	10x40 (10°x40° H)	<p>VERTICAL (40°x10°) HORIZONTAL (10°x40°)</p>
10 (10°x10°)		40x10 (40°x10° V)		
	20 (20°x20°)	10x60 (10°x60° H)		
	40 (40°x40°)	60x10 (60°x10° V)		
	55 (55°x55°)	30x55 (30°x55° H)		
	75 (75°x75°)	55x30 (55°x30° V)		
	85 (85°x85°)			
	Projected Lumen Maintenance	L70 > 60,000hrs @ t _a = 50°C (122°F)		
CONTROL	Control Systems	Non-Dimming		
PHYSICAL	Size (HxWxD)	mm	106.5 x 73.90 x 47.1	
		inches	4.19 x 2.87 x 1.85	
	Weight	kg	0.38	
		lbs	0.84	
	Housing	Machined and architectural anodized aluminum body, optically clear tempered glass		
	Fixture Connections	ND	2 conductor power cable with stripped wires and proprietary moisture blocking	
DMX ¹		7 conductor power and data cable with stripped wires and proprietary moisture blocking		
Rated Operation Temperature	-30°C (-22°F) to +50°C (122°F)			
Environment	Dry, Damp or Wet Locations, 0-100% Humidity			
CERTIFICATION & SAFETY	Listings	RoHS		
	IEC Classifications	Class 2 LED Luminaire		
	IP66	Constructed to meet requirements outlined in UL 1838 & 8750		

1 - Non-standard option or in development. Contact factory for lead times.

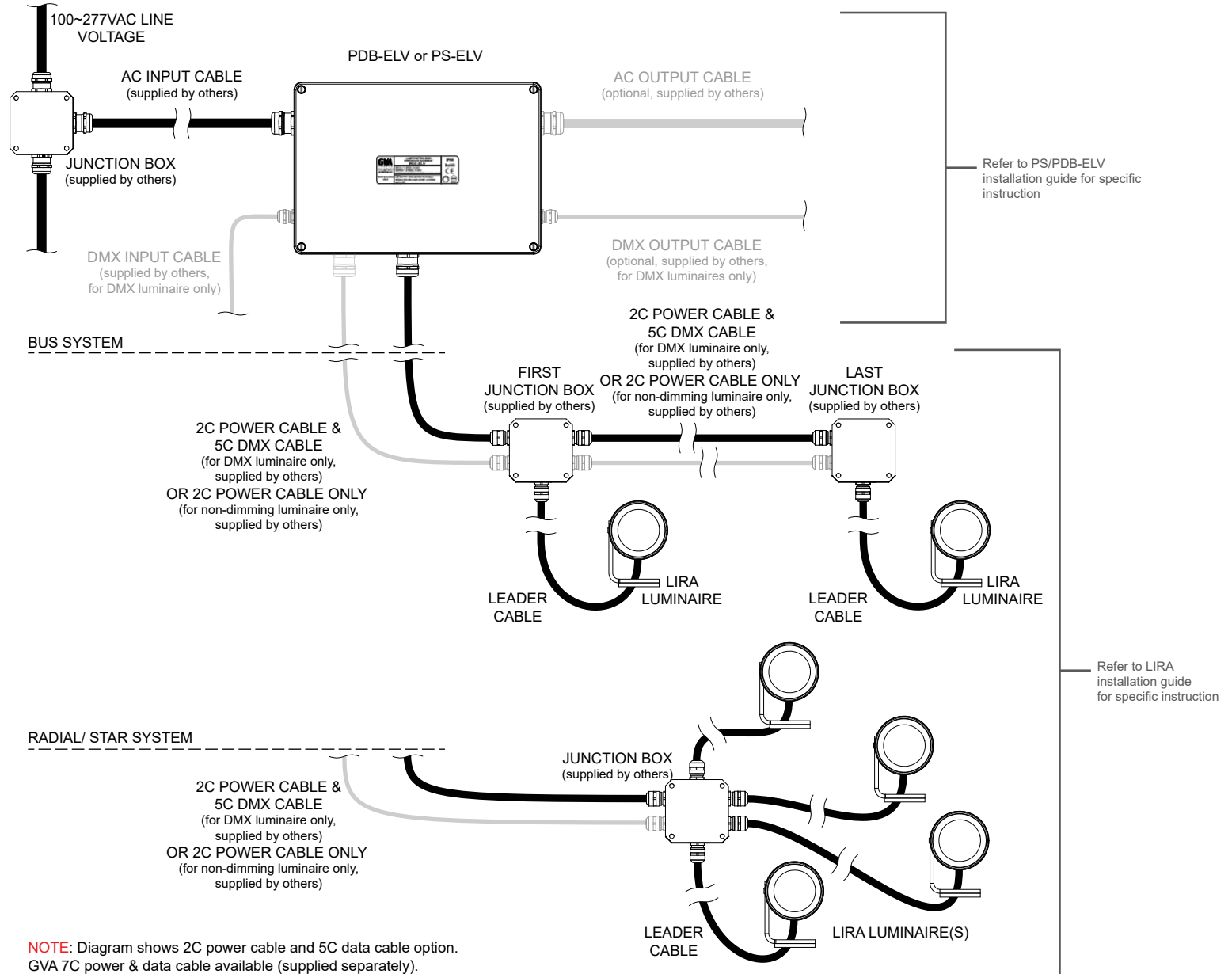
These figures are subject to change due to further development and innovations of LED light sources.

Monochromatic Architectural Spot and Flood Light

PRODUCT SPECIFICATION SHEET

TYPICAL SYSTEM DIAGRAM: LIRA™ MONO

NOTE: Cable length, gauge, and fixture quantity is directly proportionate to the maximum fixture distance from the power-data box. Minimum working voltage of LIRA luminaire is 18VDC. Please consult GVA Lighting for more information.



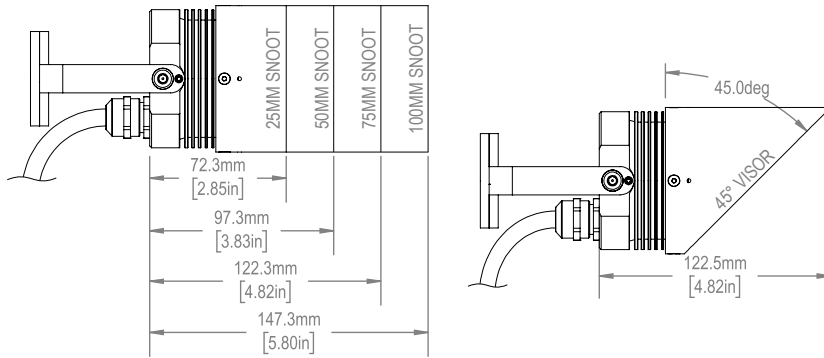
NOTE: Diagram shows 2C power cable and 5C data cable option. GVA 7C power & data cable available (supplied separately).

Monochromatic Architectural Spot and Flood Light

PRODUCT SPECIFICATION SHEET

ORDERING LOGIC: LIRA OPTICAL ACCESSORIES

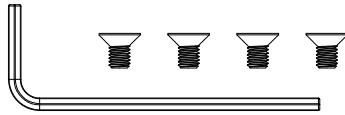
SNOOTS & VISORS



COLOR	25MM	50MM	75MM	100MM	VISOR
Clear Matte Anodized	122299	122302	122305	122308	122314
Black Matte Anodized	122300	122303	122306	122309	122315
Custom Color	122301	122304	122307	122310	122316

NOTE: Visor can be installed at any 90° orientation. See installation guide for details.
NOTE: Order 1 screw kit per every snoot and visor.

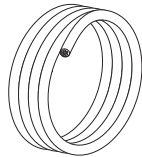
VISOR & SNOOT SCREW KIT



PART NO.
122907

NOTE: Order 1 screw kit per every snoot and visor.

CABLE



TYPE	LENGTH	PART NUMBER
2C OUTDOOR (OD)	Specify in Meters	280275