

**⚠ CAUTION**

Do not attempt to install or use Luminaire until you read and understand this installation guide and safety labels.

Luminaires must be installed by a qualified professional in accordance with all national and local electrical and construction codes and regulations.

Ensure that main power supply is **OFF** before installing or wiring Luminaire(s).

Do not exceed the specified voltage and current input.

GVA Luminaires have no serviceable parts. Do not attempt to open the units.

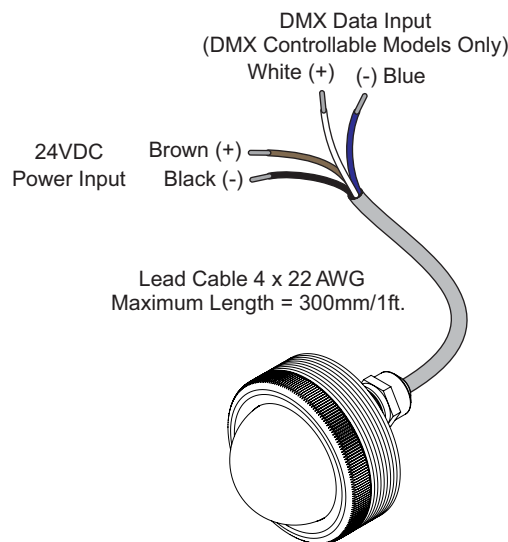
Do not use a luminaire with a damaged lens, body or cable.

Do not hot swap. Ensure power supply is off before connecting or disconnecting fixtures.

**Not heading cautions may result in a hazardous situation which can cause injury or property damage.**

## Connecting Luminaires

- ⚠ PixelDOME Luminaires require a 24VDC (±3VDC) Class 2 Power Supply (limited to 100W).  
If PSU is other than Class 2, provisions must be made to create Class 2 outputs.



- ⚠ Ensure main power supply is turned OFF before beginning work

Connect Class 2, 24VDC output to power conductors of luminaire : brown(+), black(-)

Connect DMX signal to data conductors of luminaire (DMX controllable models only): white(+), blue(-)

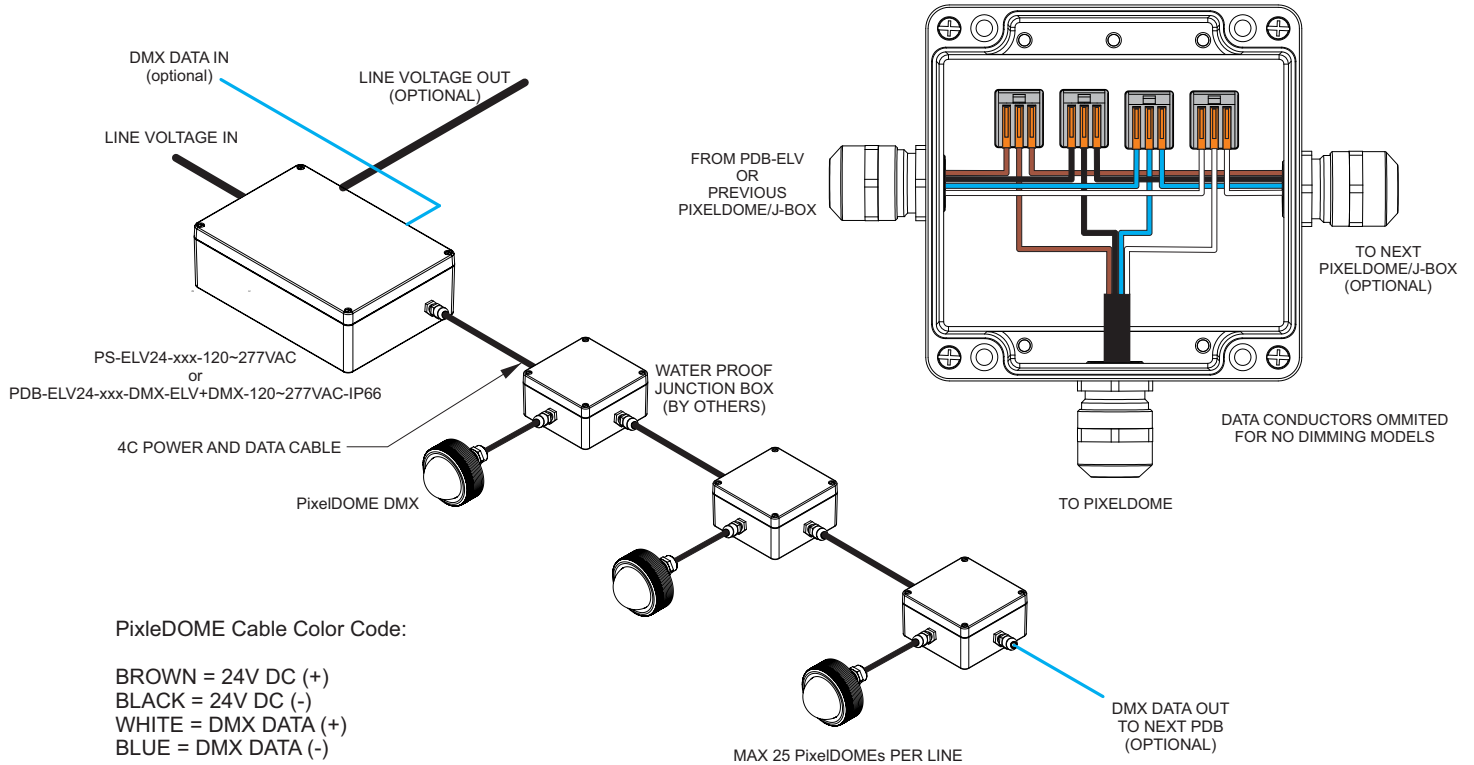
- ⚠ Do not connect luminaire directly to line voltage

- ⚠ Connecting power to data line will damage luminaire

## Wiring Diagram

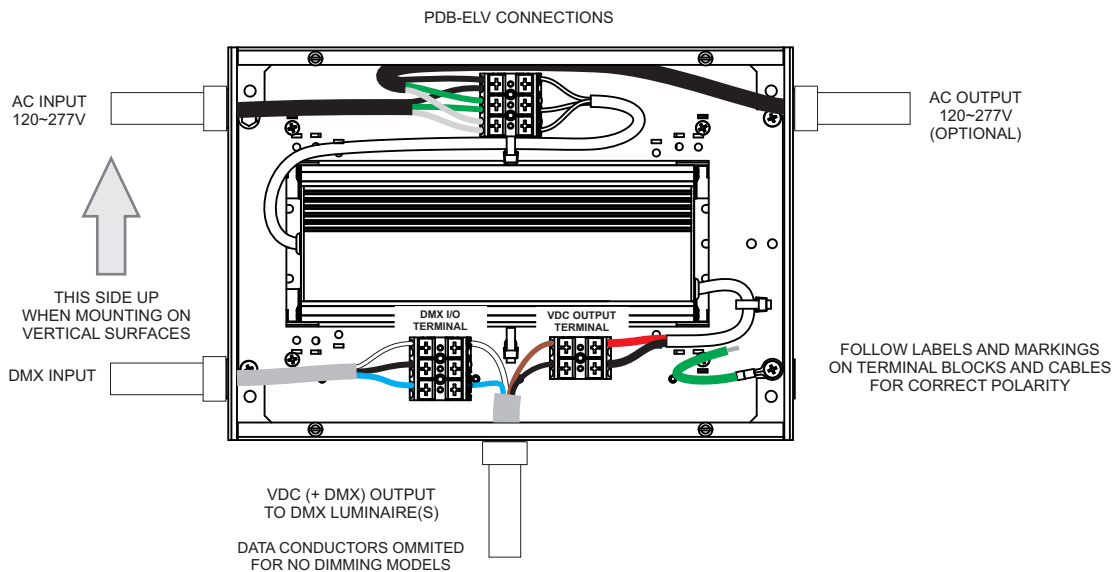
PixleDOME DMX fixtures shall be connected in parallel

Maximum number of PixleDOMEs per line is 25; total load shall not exceed power rating of PS/PDB-ELV



PixleDOME Cable Color Code:

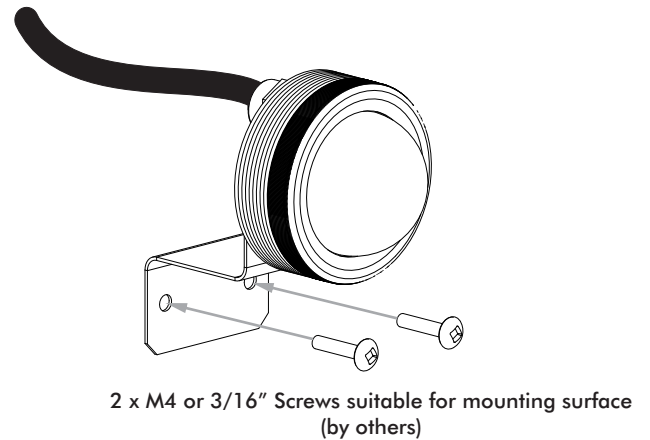
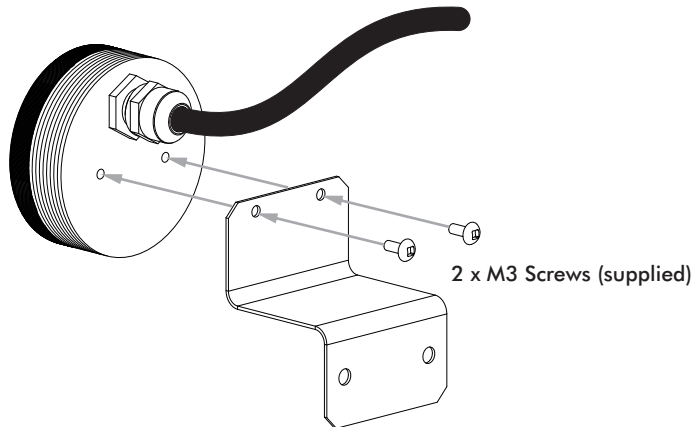
- BROWN = 24V DC (+)
- BLACK = 24V DC (-)
- WHITE = DMX DATA (+)
- BLUE = DMX DATA (-)



## Mounting Luminaires with Mounting Bracket

Use M3 screws (supplied with luminaire) to fasten the PixelDOME to its mounting bracket

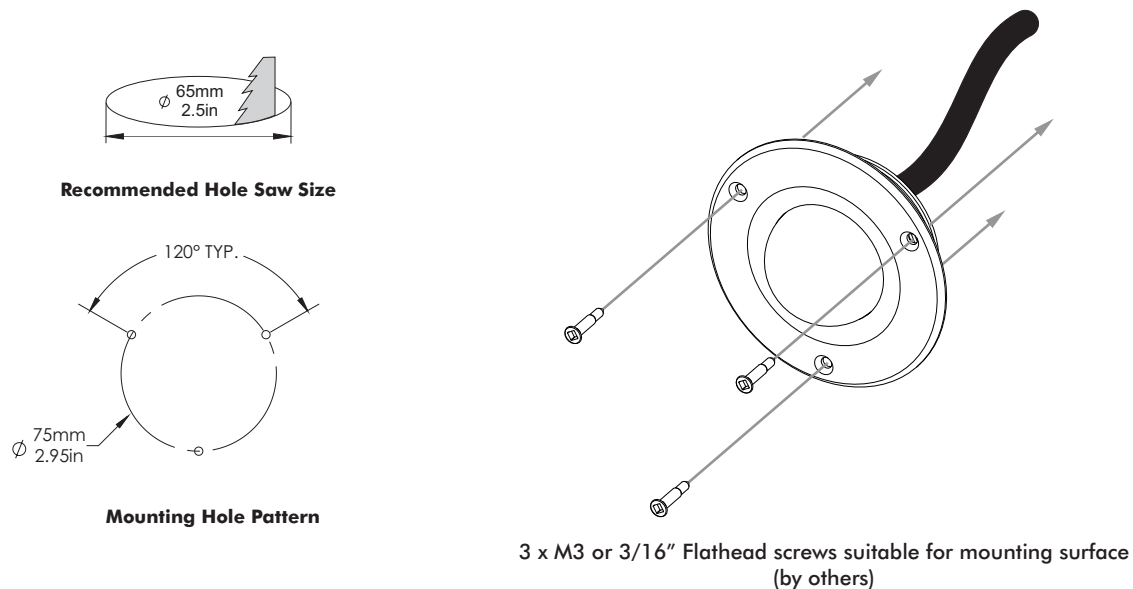
Use M4 or 3/16" diameter screws (supplied by others) to secure fixture to mounting surface



## Mounting Luminaires with Mounting Flange

Use M3 screws (supplied with luminaire) to fasten the PixelDOME to its mounting bracket

Use M4 or 3/16" diameter screws (supplied by others) to secure fixture to mounting surface



Do not cover this luminaire with insulating matting material or similar material

## Mounting Junction Box Mount Luminaires

After making electrical connections, place PixelDOME luminaire over junction box opening, aligning mounting holes

Use 4 x #8-32 x .375" flat head machine screws (supplied by others) to secure fixture to junction box

