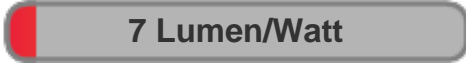




Light efficiency:



Light quality:



Color temperature:

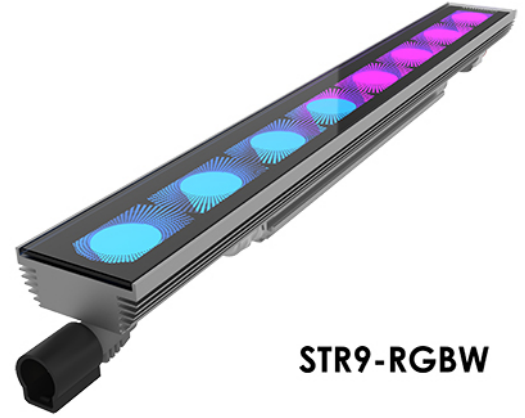


Output: 111 lm

Peak: 975 cd

Power: 16.4 W

48.2V @ 0.340A

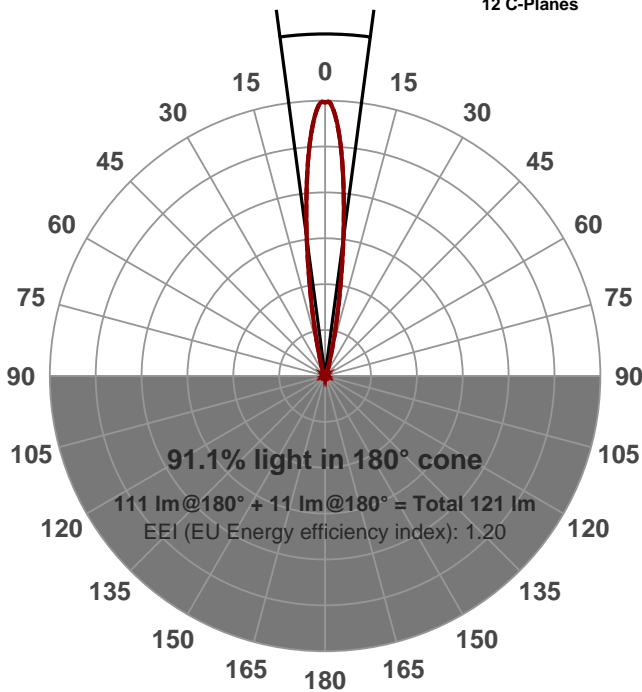


STR9-RGBW

Beam angle

15.2°

(6 PLANES)  
12 C-Planes



Product name:

STR9-300-CM-20W-RGBW-15-ELV-BLUE

Date and time:

2016-09-20 11:07:51 AM

Additional information:

FILM: 10°

LED: RGBW (3000K)

FIXTURE: 1FT MODULE

NORMALIZED: YES

PERFORMED BY: NH

Color

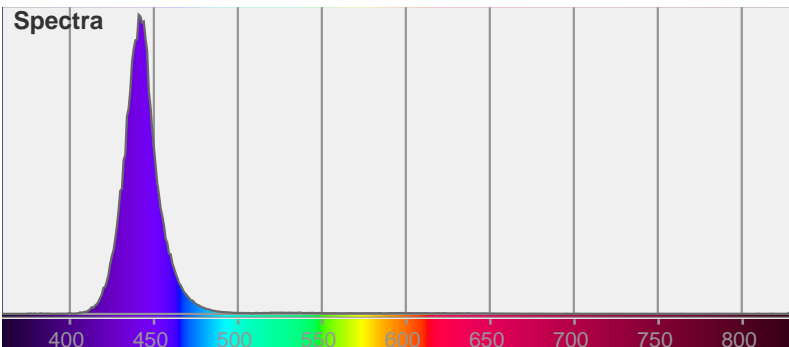


CIE1931

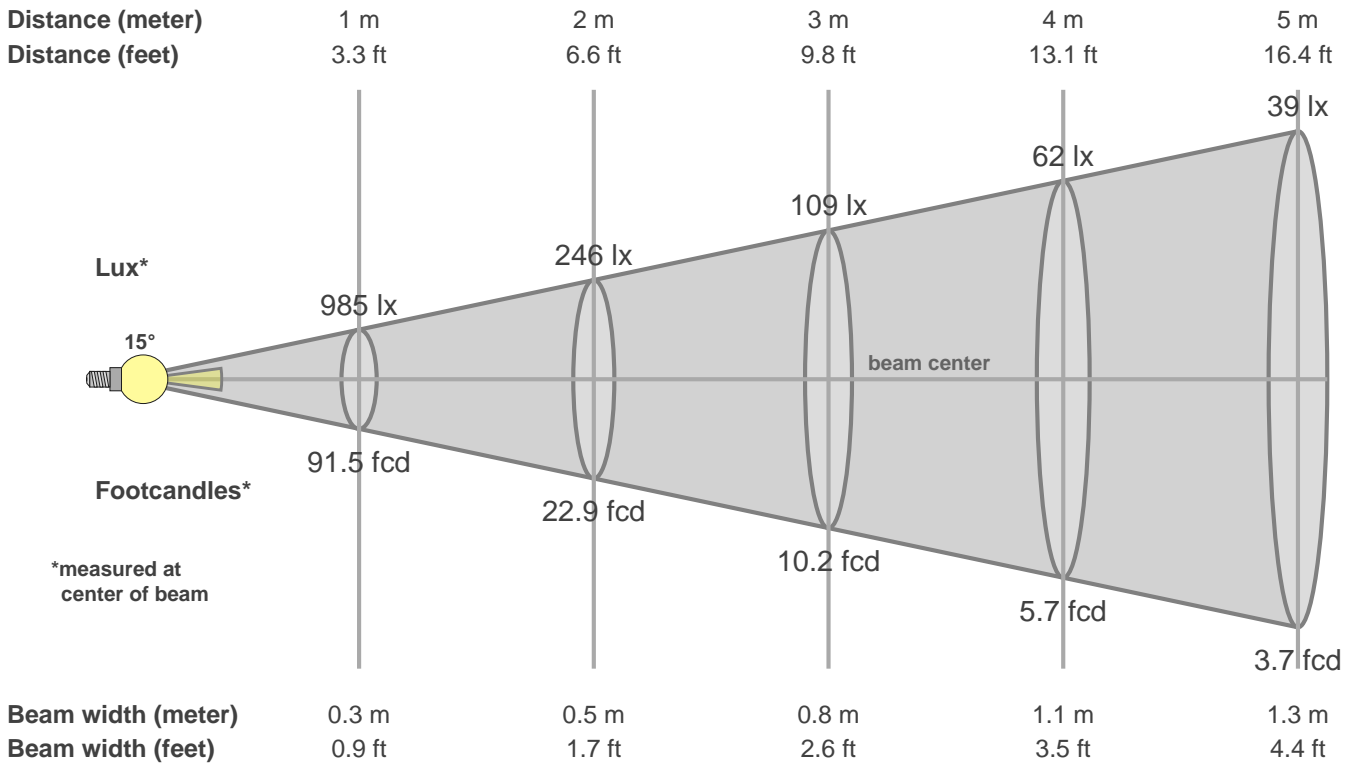
x: 0.163

y: 0.021

Spectra







**Intensities in 0° c-plane**

0°	1°	2°	3°	4°	5°	6°	7°	8°	9°	10°	11°	12°	13°	14°	15°	16°	17°	18°	19°
985	971	937	883	810	726	635	546	455	373	299	240	188	146	110	91	71	59	49	41
100%	99%	95%	90%	82%	74%	64%	55%	46%	38%	30%	24%	19%	15%	11%	9%	7%	6%	5%	4%

**Intensities in 90° c-plane**

0°	1°	2°	3°	4°	5°	6°	7°	8°	9°	10°	11°	12°	13°	14°	15°	16°	17°	18°	19°
985	973	938	880	812	726	637	546	459	375	303	241	191	149	117	91	73	60	50	42
100%	99%	95%	89%	82%	74%	65%	55%	47%	38%	31%	24%	19%	15%	12%	9%	7%	6%	5%	4%

**Intensities in 180° c-plane**

0°	1°	2°	3°	4°	5°	6°	7°	8°	9°	10°	11°	12°	13°	14°	15°	16°	17°	18°	19°
985	971	937	883	810	726	635	546	455	373	299	240	188	146	110	91	71	59	49	41
100%	99%	95%	90%	82%	74%	64%	55%	46%	38%	30%	24%	19%	15%	11%	9%	7%	6%	5%	4%

**Intensities in 270° c-plane**

0°	1°	2°	3°	4°	5°	6°	7°	8°	9°	10°	11°	12°	13°	14°	15°	16°	17°	18°	19°
985	973	938	880	812	726	637	546	459	375	303	241	191	149	117	91	73	60	50	42
100%	99%	95%	89%	82%	74%	65%	55%	47%	38%	31%	24%	19%	15%	12%	9%	7%	6%	5%	4%

Beam angle 50%	Field angle 10%	Cutoff angle 2.5%	Intensity ratio in 120° cone	Intensity ratio in 90° cone
15.2°	29.3°	45.9°	86.0%	82.2%