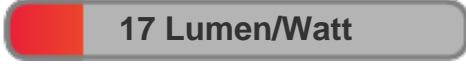




Light efficiency:



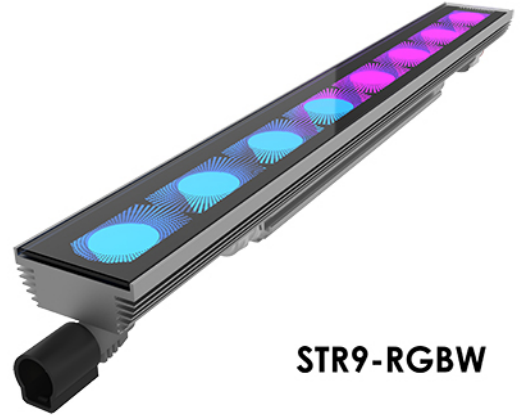
Light quality:



Color temperature:



Output: 237 lm
Peak: 2207 cd
Power: 13.9 W
48.2V @ 0.289A

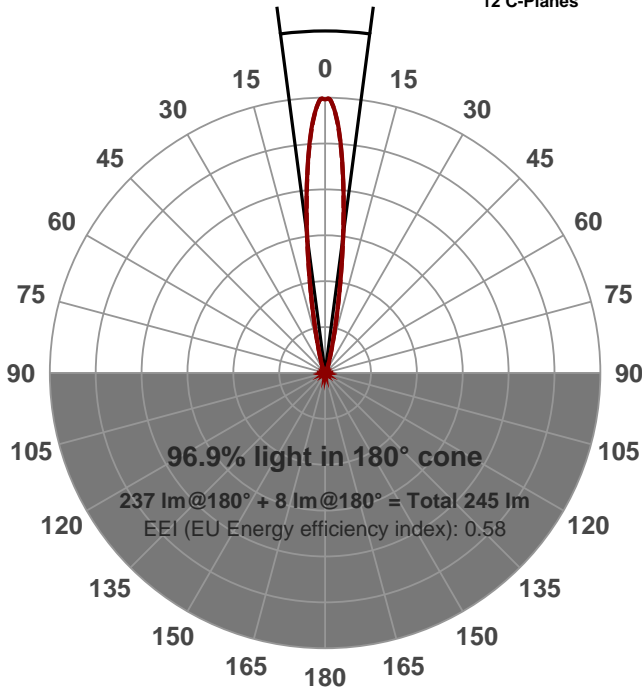


STR9-300-CM-20W-RGBW-15-ELV-RED

Beam angle

15°

(6 PLANES)
12 C-Planes



Product name:

STR9-300-CM-20W-RGBW-15-ELV-RED

Date and time:

2016-09-20 10:21:44 AM

Additional information:

FILM: 10°

LED: RGBW (3000K)

FIXTURE: 1FT MODULE

NORMALIZED: YES

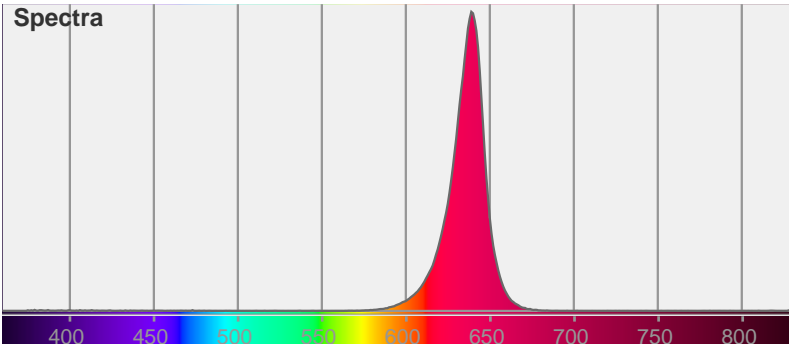
PERFORMED BY: NH

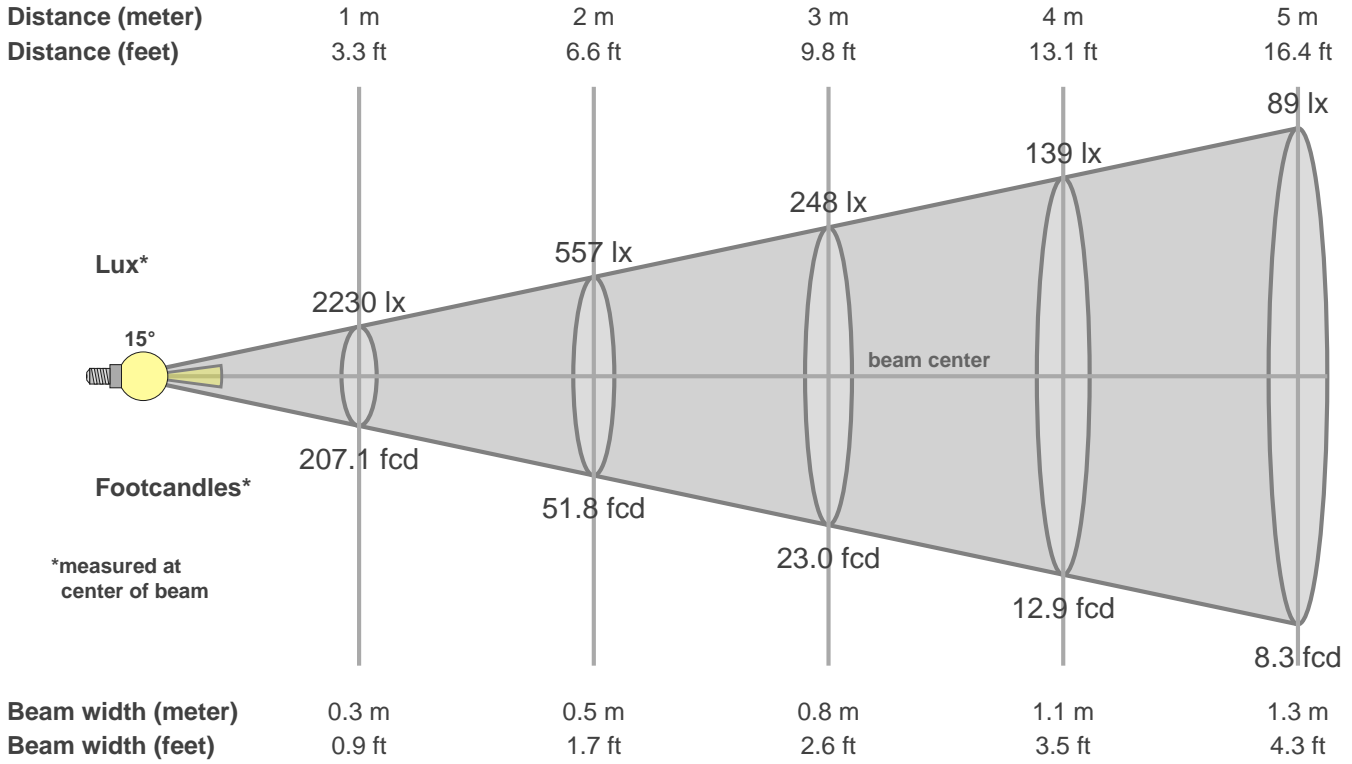
Color



CIE1931
x: 0.700
y: 0.297

Spectra





Intensities in 0° c-plane

0°	1°	2°	3°	4°	5°	6°	7°	8°	9°	10°	11°	12°	13°	14°	15°	16°	17°	18°	19°
2230	2202	2123	1999	1830	1633	1427	1216	1014	831	668	534	422	331	263	210	169	140	117	102
100%	99%	95%	90%	82%	73%	64%	55%	45%	37%	30%	24%	19%	15%	12%	9%	8%	6%	5%	5%

Intensities in 90° c-plane

0°	1°	2°	3°	4°	5°	6°	7°	8°	9°	10°	11°	12°	13°	14°	15°	16°	17°	18°	19°
2230	2203	2121	1990	1822	1625	1417	1212	1010	825	665	532	419	330	263	210	172	141	118	101
100%	99%	95%	89%	82%	73%	64%	54%	45%	37%	30%	24%	19%	15%	12%	9%	8%	6%	5%	5%

Intensities in 180° c-plane

0°	1°	2°	3°	4°	5°	6°	7°	8°	9°	10°	11°	12°	13°	14°	15°	16°	17°	18°	19°
2230	2202	2123	1999	1830	1633	1427	1216	1014	831	668	534	422	331	263	210	169	140	117	102
100%	99%	95%	90%	82%	73%	64%	55%	45%	37%	30%	24%	19%	15%	12%	9%	8%	6%	5%	5%

Intensities in 270° c-plane

0°	1°	2°	3°	4°	5°	6°	7°	8°	9°	10°	11°	12°	13°	14°	15°	16°	17°	18°	19°
2230	2203	2121	1990	1822	1625	1417	1212	1010	825	665	532	419	330	263	210	172	141	118	101
100%	99%	95%	89%	82%	73%	64%	54%	45%	37%	30%	24%	19%	15%	12%	9%	8%	6%	5%	5%

Beam angle 50%	Field angle 10%	Cutoff angle 2.5%	Intensity ratio in 120° cone	Intensity ratio in 90° cone
15.0°	29.6°	46.9°	94.6%	91.7%