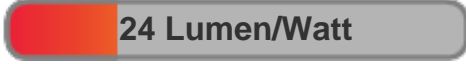




Light efficiency:



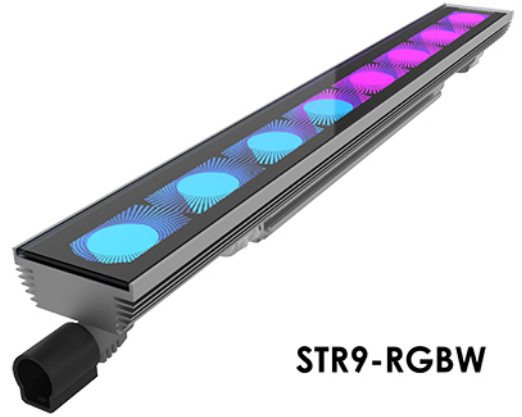
Light quality:



Color temperature:



Output: 443 lm
Peak: 1253 cd
Power: 18.3 W
48.2V @ 0.381A

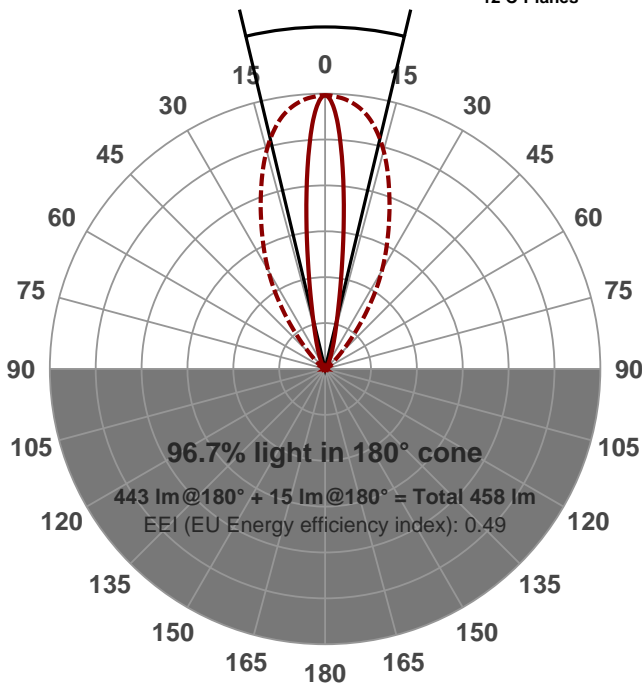


STR9-RGBW

Beam angle

26.8°

(6 PLANES)
12 C-Planes



Product name:

STR9-300-CM-20W-RGBW-15X50-ELV

Date and time:

2016-09-21 10:57:54 AM

Additional information:

FILM: 250169

LED: RGBW (3000K)

FIXTURE: 1FT MODULE

NORMALIZED: YES

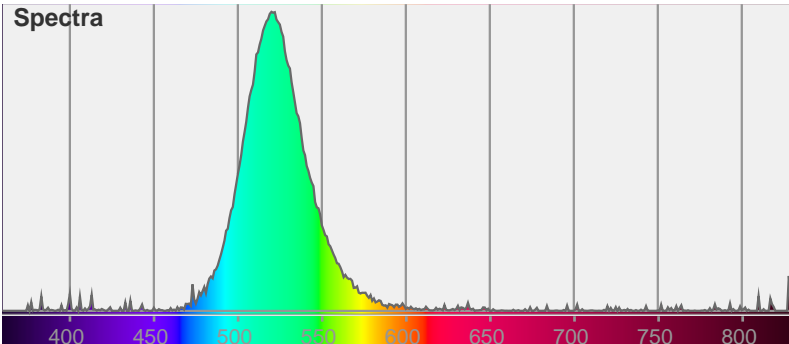
PERFORMED BY: NH

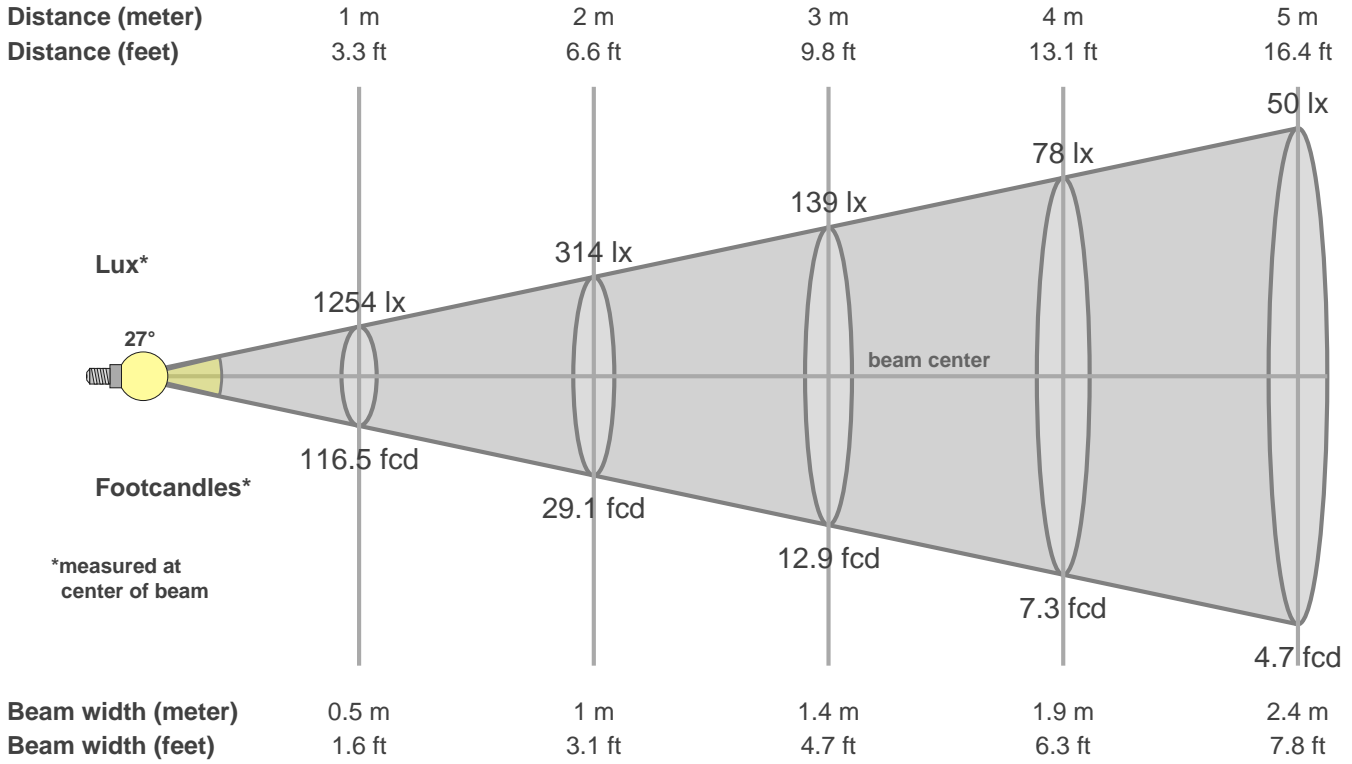
Color



CIE1931
x: 0.170
y: 0.698

Spectra





Intensities in 0° c-plane

0°	2°	4°	6°	8°	10°	12°	14°	16°	18°	20°	22°	24°	26°	28°	30°	32°	34°	36°	38°
1254	1191	1027	813	598	422	297	217	164	127	98	76	61	48	38	32	26	23	21	18
100%	95%	82%	65%	48%	34%	24%	17%	13%	10%	8%	6%	5%	4%	3%	3%	2%	2%	2%	1%

Intensities in 90° c-plane

0°	2°	4°	6°	8°	10°	12°	14°	16°	18°	20°	22°	24°	26°	28°	30°	32°	34°	36°	38°
1254	1249	1240	1223	1200	1166	1120	1066	1002	932	859	788	717	649	585	520	455	387	321	257
100%	100%	99%	98%	96%	93%	89%	85%	80%	74%	68%	63%	57%	52%	47%	42%	36%	31%	26%	20%

Intensities in 180° c-plane

0°	2°	4°	6°	8°	10°	12°	14°	16°	18°	20°	22°	24°	26°	28°	30°	32°	34°	36°	38°
1254	1191	1027	813	598	422	297	217	164	127	98	76	61	48	38	32	26	23	21	18
100%	95%	82%	65%	48%	34%	24%	17%	13%	10%	8%	6%	5%	4%	3%	3%	2%	2%	2%	1%

Intensities in 270° c-plane

0°	2°	4°	6°	8°	10°	12°	14°	16°	18°	20°	22°	24°	26°	28°	30°	32°	34°	36°	38°
1254	1249	1240	1223	1200	1166	1120	1066	1002	932	859	788	717	649	585	520	455	387	321	257
100%	100%	99%	98%	96%	93%	89%	85%	80%	74%	68%	63%	57%	52%	47%	42%	36%	31%	26%	20%

Beam angle 50%	Field angle 10%	Cutoff angle 2.5%	Intensity ratio in 120° cone	Intensity ratio in 90° cone
26.8°	53.3°	81.1°	92.9%	87.4%