



Light efficiency:



Light quality:



Color temperature:

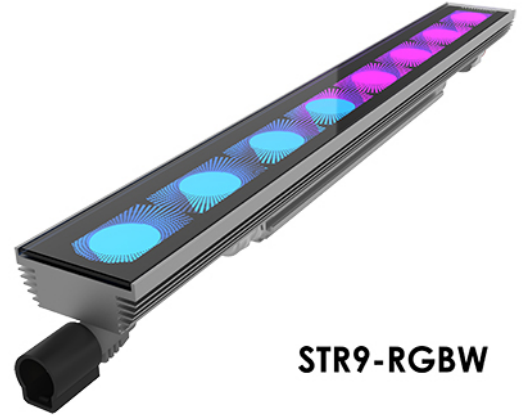


Output: 112 lm

Peak: 183 cd

Power: 16.4 W

48.2V @ 0.340A

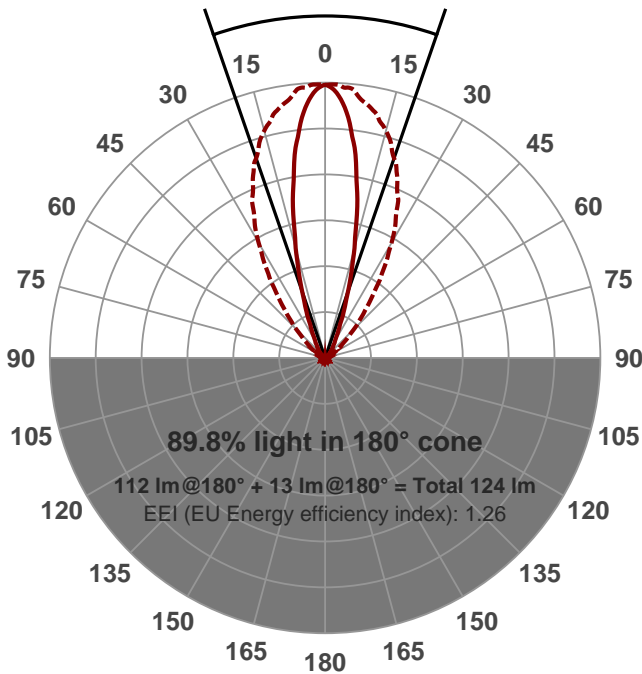


STR9-RGBW

Beam angle

38.1°

(6 PLANES)
12 C-Planes



Product name:

STR9-300-CM-20W-RGBW-25X60-ELV

Date and time:

2016-09-21 12:28:50 PM

Additional information:

FILM: 250170

LED: RGBW (3000K)

FIXTURE: 1FT MODULE

NORMALIZED: YES

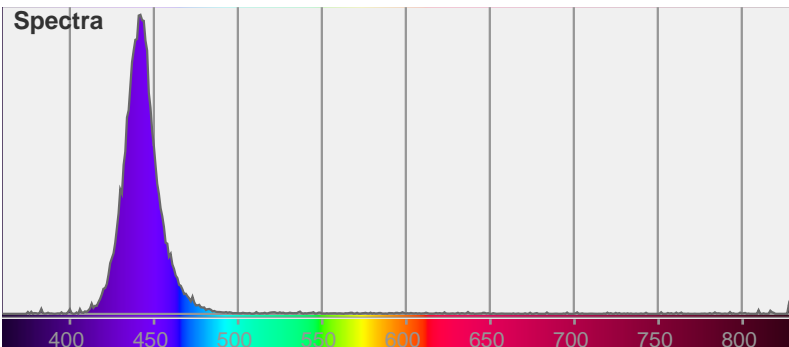
PERFORMED BY: NH

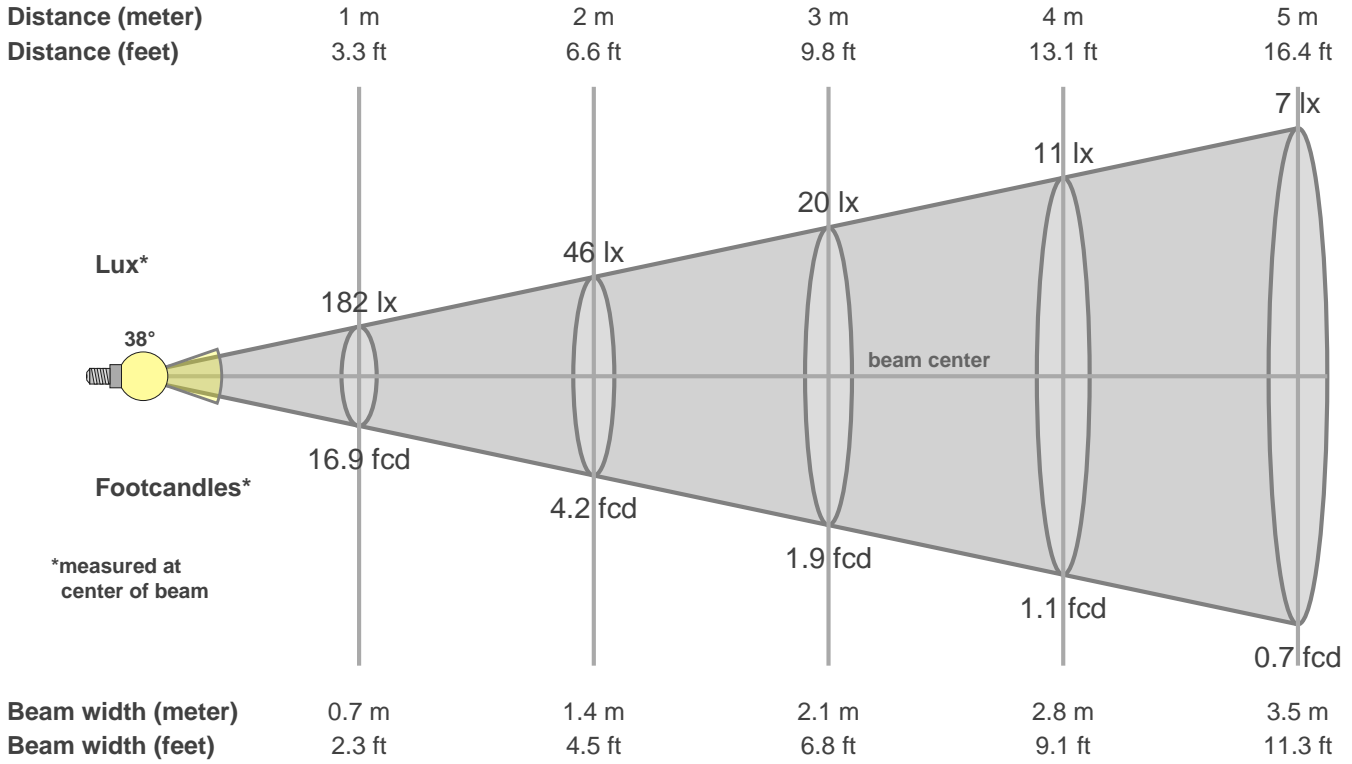
Color



CIE1931
x: 0.163
y: 0.021

Spectra





Intensities in 0° c-plane

| 0° | 2° | 4° | 6° | 8° | 10° | 12° | 14° | 16° | 18° | 20° | 22° | 24° | 26° | 28° | 30° | 32° | 34° | 36° | 38° |
|------|-----|-----|-----|-----|-----|-----|-----|-----|-----|-----|-----|-----|-----|-----|-----|-----|-----|-----|-----|
| 182 | 179 | 170 | 158 | 142 | 121 | 103 | 83 | 67 | 54 | 41 | 33 | 24 | 20 | 16 | 13 | 12 | 10 | 9 | 7 |
| 100% | 98% | 93% | 86% | 78% | 66% | 57% | 45% | 37% | 29% | 23% | 18% | 13% | 11% | 9% | 7% | 7% | 5% | 5% | 4% |

Intensities in 90° c-plane

| 0° | 2° | 4° | 6° | 8° | 10° | 12° | 14° | 16° | 18° | 20° | 22° | 24° | 26° | 28° | 30° | 32° | 34° | 36° | 38° |
|------|------|-----|-----|-----|-----|-----|-----|-----|-----|-----|-----|-----|-----|-----|-----|-----|-----|-----|-----|
| 182 | 183 | 181 | 180 | 174 | 171 | 166 | 160 | 154 | 145 | 138 | 129 | 119 | 109 | 100 | 89 | 78 | 68 | 58 | 50 |
| 100% | 100% | 99% | 99% | 95% | 94% | 91% | 88% | 84% | 79% | 76% | 71% | 65% | 60% | 55% | 49% | 43% | 37% | 32% | 27% |

Intensities in 180° c-plane

| 0° | 2° | 4° | 6° | 8° | 10° | 12° | 14° | 16° | 18° | 20° | 22° | 24° | 26° | 28° | 30° | 32° | 34° | 36° | 38° |
|------|-----|-----|-----|-----|-----|-----|-----|-----|-----|-----|-----|-----|-----|-----|-----|-----|-----|-----|-----|
| 182 | 179 | 170 | 158 | 142 | 121 | 103 | 83 | 67 | 54 | 41 | 33 | 24 | 20 | 16 | 13 | 12 | 10 | 9 | 7 |
| 100% | 98% | 93% | 86% | 78% | 66% | 57% | 45% | 37% | 29% | 23% | 18% | 13% | 11% | 9% | 7% | 7% | 5% | 5% | 4% |

Intensities in 270° c-plane

| 0° | 2° | 4° | 6° | 8° | 10° | 12° | 14° | 16° | 18° | 20° | 22° | 24° | 26° | 28° | 30° | 32° | 34° | 36° | 38° |
|------|------|-----|-----|-----|-----|-----|-----|-----|-----|-----|-----|-----|-----|-----|-----|-----|-----|-----|-----|
| 182 | 183 | 181 | 180 | 174 | 171 | 166 | 160 | 154 | 145 | 138 | 129 | 119 | 109 | 100 | 89 | 78 | 68 | 58 | 50 |
| 100% | 100% | 99% | 99% | 95% | 94% | 91% | 88% | 84% | 79% | 76% | 71% | 65% | 60% | 55% | 49% | 43% | 37% | 32% | 27% |

| Beam angle 50% | Field angle 10% | Cutoff angle 2.5% | Intensity ratio in 120° cone | Intensity ratio in 90° cone |
|----------------|-----------------|-------------------|------------------------------|-----------------------------|
| 38.1° | 71.5° | 121.6° | 82.2% | 74.6% |