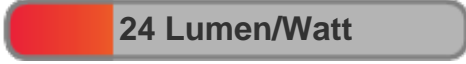




Light efficiency:



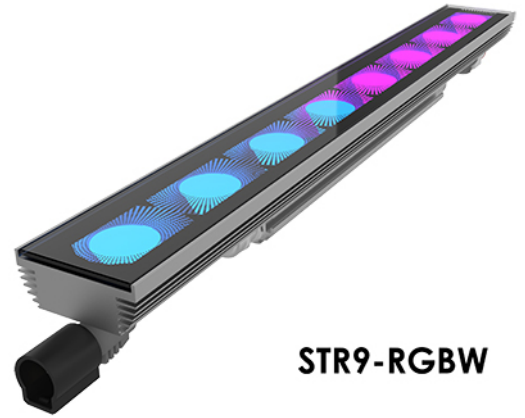
Light quality:



Color temperature:



Output: 432 lm  
Peak: 744 cd  
Power: 18.3 W  
48.2V @ 0.381A

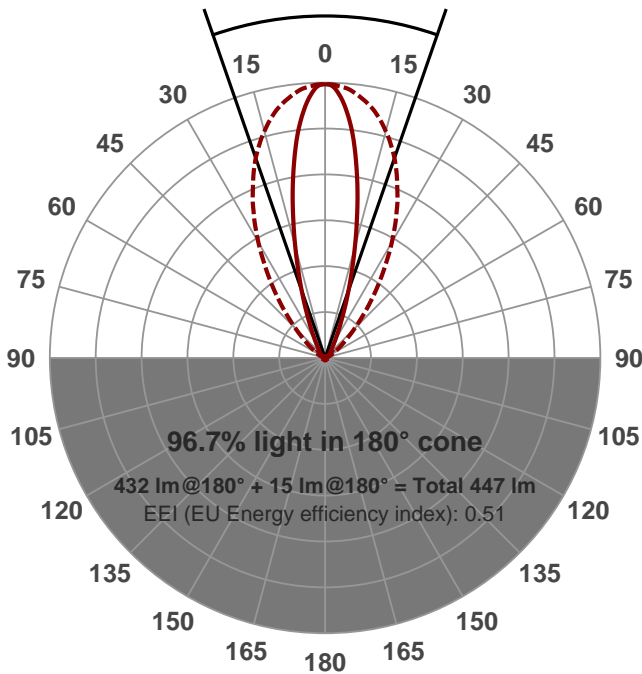


STR9-RGBW

Beam angle

38.3°

(6 PLANES)  
12 C-Planes



Product name:

STR9-300-CM-20W-RGBW-25X60-ELV

Date and time:

2016-09-21 10:40:19 AM

Additional information:

FILM: 250170

LED: RGBW (3000K)

FIXTURE: 1FT MODULE

NORMALIZED: YES

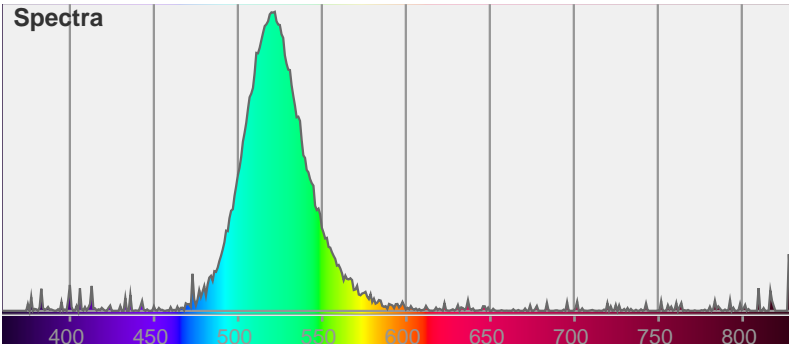
PERFORMED BY: NH

Color

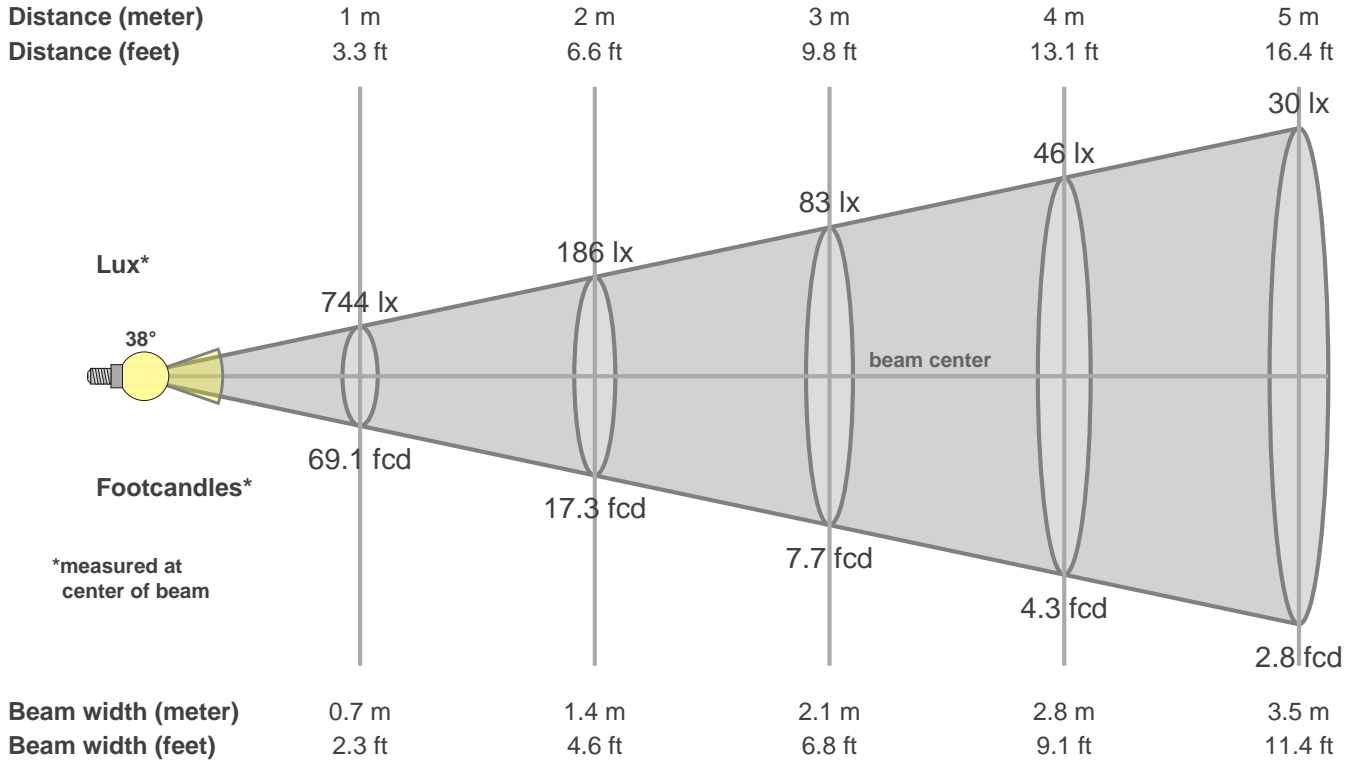


CIE1931  
x: 0.169  
y: 0.695

Spectra







**Intensities in 0° c-plane**

0°	2°	4°	6°	8°	10°	12°	14°	16°	18°	20°	22°	24°	26°	28°	30°	32°	34°	36°	38°
744	734	698	645	577	500	423	348	281	223	175	136	105	83	66	54	45	37	32	27
100%	99%	94%	87%	78%	67%	57%	47%	38%	30%	24%	18%	14%	11%	9%	7%	6%	5%	4%	4%

**Intensities in 90° c-plane**

0°	2°	4°	6°	8°	10°	12°	14°	16°	18°	20°	22°	24°	26°	28°	30°	32°	34°	36°	38°
744	743	737	728	713	697	676	652	624	593	560	522	484	444	404	363	321	283	246	212
100%	100%	99%	98%	96%	94%	91%	88%	84%	80%	75%	70%	65%	60%	54%	49%	43%	38%	33%	28%

**Intensities in 180° c-plane**

0°	2°	4°	6°	8°	10°	12°	14°	16°	18°	20°	22°	24°	26°	28°	30°	32°	34°	36°	38°
744	734	698	645	577	500	423	348	281	223	175	136	105	83	66	54	45	37	32	27
100%	99%	94%	87%	78%	67%	57%	47%	38%	30%	24%	18%	14%	11%	9%	7%	6%	5%	4%	4%

**Intensities in 270° c-plane**

0°	2°	4°	6°	8°	10°	12°	14°	16°	18°	20°	22°	24°	26°	28°	30°	32°	34°	36°	38°
744	743	737	728	713	697	676	652	624	593	560	522	484	444	404	363	321	283	246	212
100%	100%	99%	98%	96%	94%	91%	88%	84%	80%	75%	70%	65%	60%	54%	49%	43%	38%	33%	28%

Beam angle 50%	Field angle 10%	Cutoff angle 2.5%	Intensity ratio in 120° cone	Intensity ratio in 90° cone
38.3°	71.4°	105.4°	92.2%	84.8%