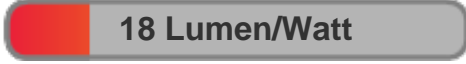




Light efficiency:



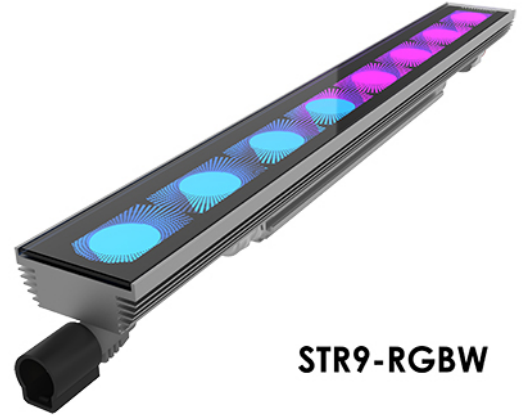
Light quality:



Color temperature:



Output: 255 lm
Peak: 444 cd
Power: 13.9 W
48.2V @ 0.289A

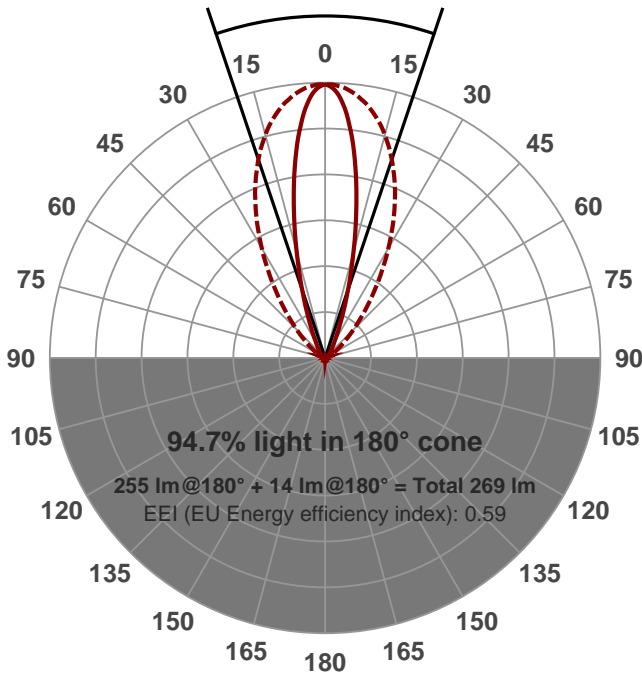


STR9-RGBW

Beam angle

37.2°

(6 PLANES)
12 C-Planes



Product name:
STR9-300-CM-20W-RGBW-25X60-ELV

Date and time:
2016-09-21 10:13:18 AM

Additional information:

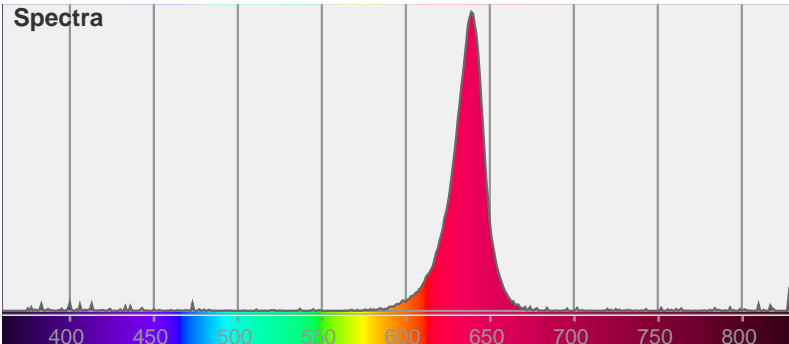
- FILM: 250170
- LED: RGBW (3000K)
- FIXTURE: 1FT MODULE
- NORMALIZED: YES
- PERFORMED BY: NH

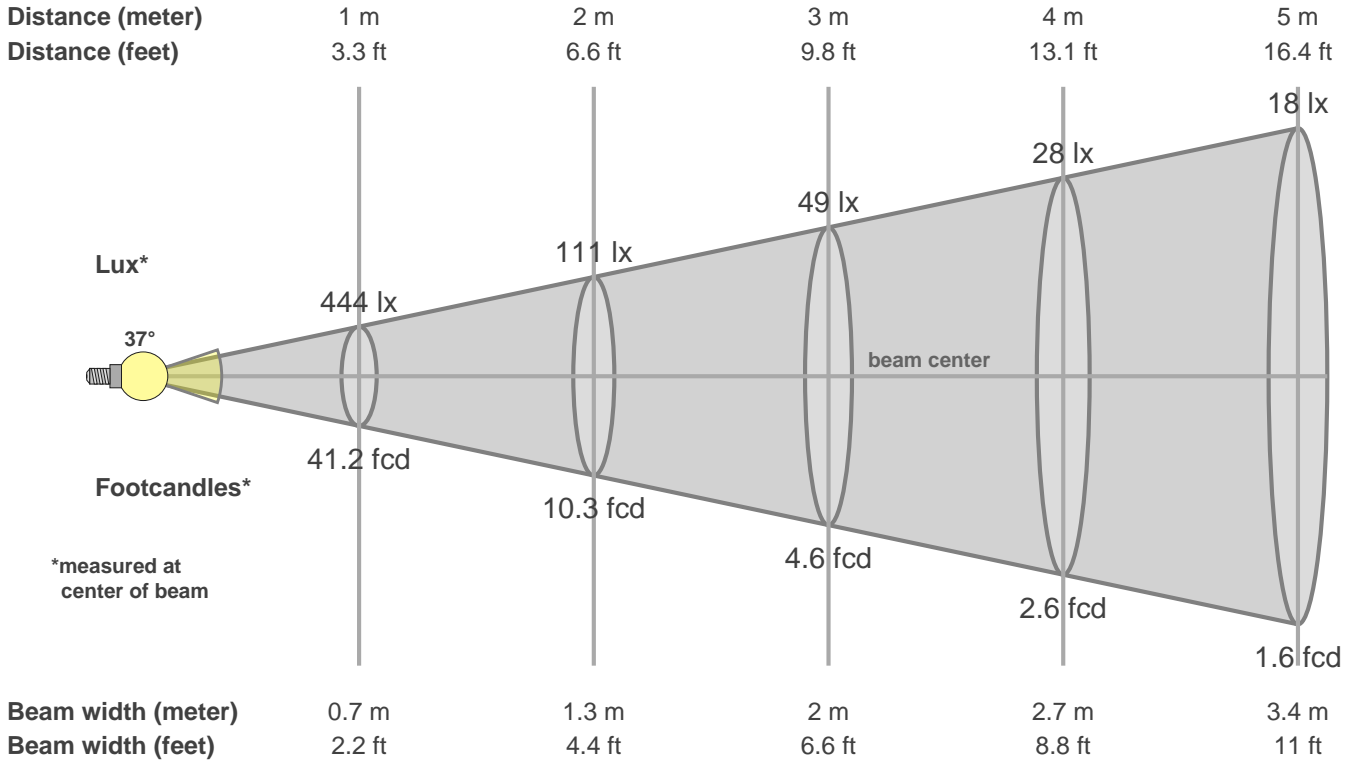
Color



CIE1931
x: 0.692
y: 0.295

Spectra





Intensities in 0° c-plane

0°	2°	4°	6°	8°	10°	12°	14°	16°	18°	20°	22°	24°	26°	28°	30°	32°	34°	36°	38°
444	436	414	379	338	291	243	200	159	126	98	76	59	48	38	30	26	22	18	17
100%	98%	93%	85%	76%	65%	55%	45%	36%	28%	22%	17%	13%	11%	9%	7%	6%	5%	4%	4%

Intensities in 90° c-plane

0°	2°	4°	6°	8°	10°	12°	14°	16°	18°	20°	22°	24°	26°	28°	30°	32°	34°	36°	38°
444	444	440	433	424	413	400	384	366	346	324	302	278	254	229	205	182	160	138	119
100%	100%	99%	98%	95%	93%	90%	87%	82%	78%	73%	68%	63%	57%	52%	46%	41%	36%	31%	27%

Intensities in 180° c-plane

0°	2°	4°	6°	8°	10°	12°	14°	16°	18°	20°	22°	24°	26°	28°	30°	32°	34°	36°	38°
444	436	414	379	338	291	243	200	159	126	98	76	59	48	38	30	26	22	18	17
100%	98%	93%	85%	76%	65%	55%	45%	36%	28%	22%	17%	13%	11%	9%	7%	6%	5%	4%	4%

Intensities in 270° c-plane

0°	2°	4°	6°	8°	10°	12°	14°	16°	18°	20°	22°	24°	26°	28°	30°	32°	34°	36°	38°
444	444	440	433	424	413	400	384	366	346	324	302	278	254	229	205	182	160	138	119
100%	100%	99%	98%	95%	93%	90%	87%	82%	78%	73%	68%	63%	57%	52%	46%	41%	36%	31%	27%

Beam angle 50%	Field angle 10%	Cutoff angle 2.5%	Intensity ratio in 120° cone	Intensity ratio in 90° cone
37.2°	70.5°	108.2°	89.1%	81.5%