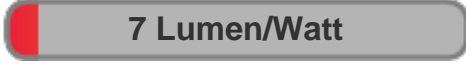




Light efficiency:



Light quality:



Color temperature:



Output: 114 lm

Peak: 285 cd

Power: 16.4 W

48.2V @ 0.340A

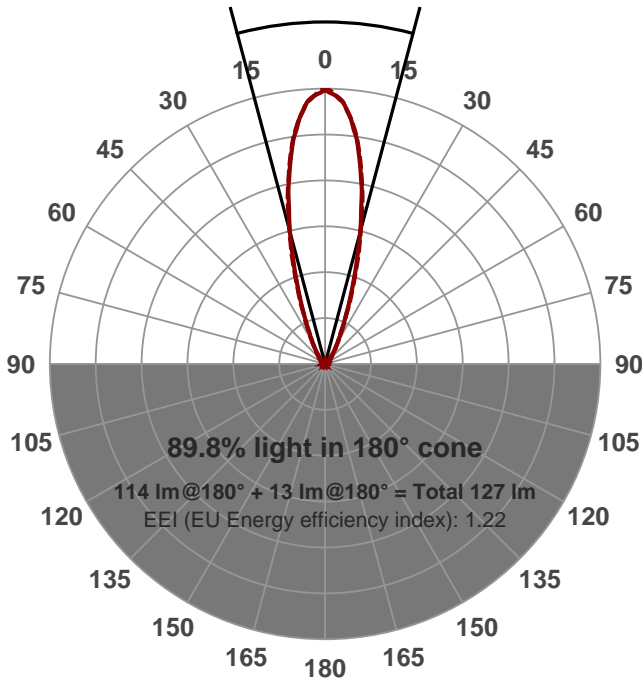


STR9-RGBW

Beam angle

29.8°

(6 PLANES)
12 C-Planes



Product name:

STR9-300-CM-20W-RGBW-30-ELV-BLUE

Date and time:

2016-09-20 5:59:49 PM

Additional information:

FILM: 250162

LED: RGBW (3000K)

FIXTURE: 1FT MODULE

NORMALIZED: YES

PERFORMED BY: NH

Color

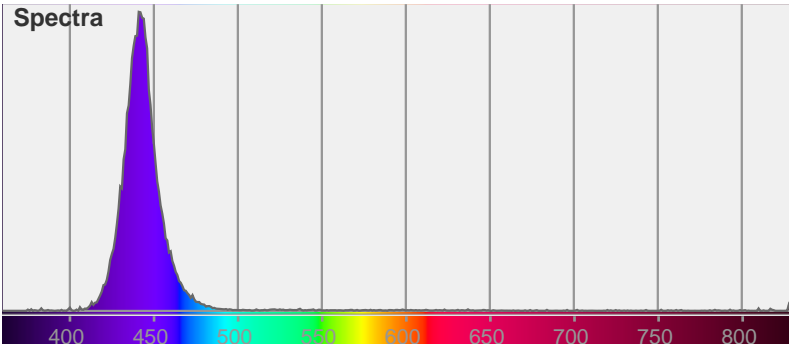


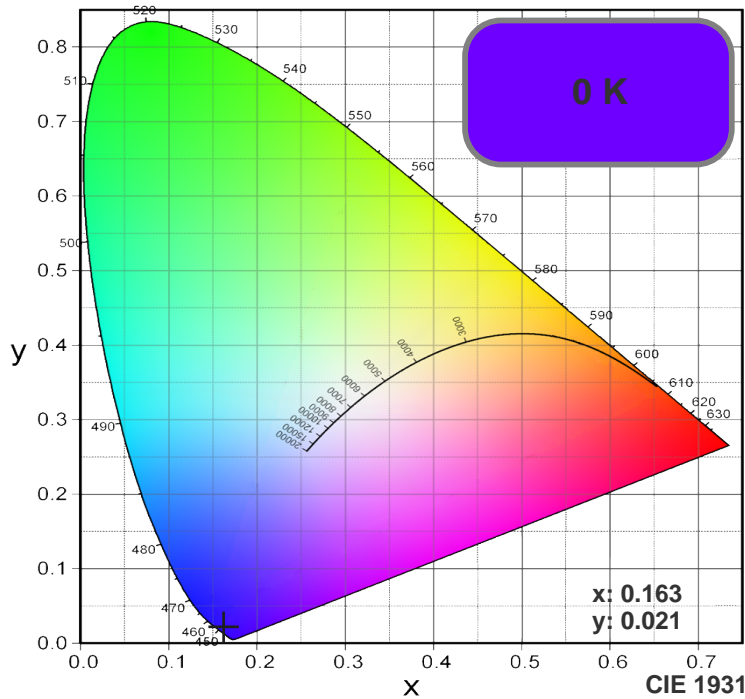
CIE1931

x: 0.163

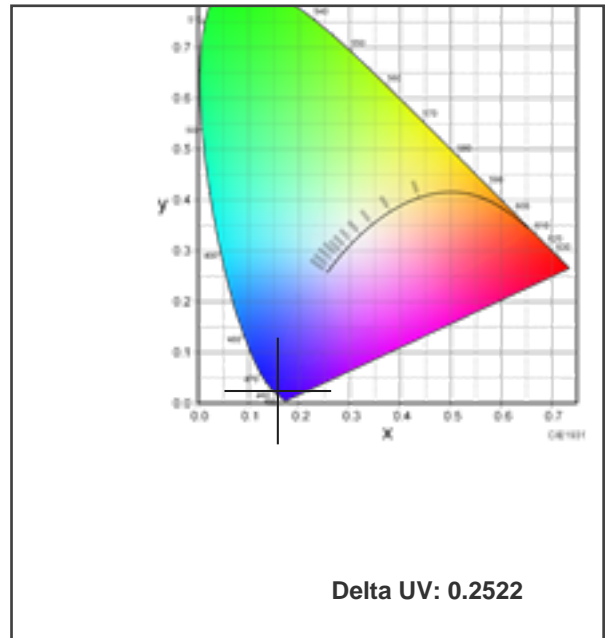
y: 0.021

Spectra





TM30: 0.0



Delta UV: 0.2522

COLOR

CRI: 0.0 (R1-R8)

C1	C2	C3	C4	C5	C6	C7	C8	C9	C10	C11	C12	C13	C14	C15	C16
0	0	0	0	0	0	0	0	0	0	0	0	0	0	0	0

R1	R2	R3	R4	R5	R6	R7	R8	R9	R10	R11	R12	R13	R14	R15
0	0	0	0	0	0	0	0	0	0	0	0	0	0	0

CRI R values, only R1-R8 are used to calculate final CRI value

R1	R2	R3	R4	R5	R6	R7	R8	R9	R10	R11	R12	R13	R14	R15
0.00	0.00	0.00	0.00	0.00	0.00	0.00	0.00	0.00	0.00	0.00	0.00	0.00	0.00	0.00

TM30 C values, 16 binned values out of total of 99 C values

C1	C2	C3	C4	C5	C6	C7	C8	C9	C10	C11	C12	C13	C14	C15	C16
0.00	0.00	0.00	0.00	0.00	0.00	0.00	0.00	0.00	0.00	0.00	0.00	0.00	0.00	0.00	0.00

CQS Q values

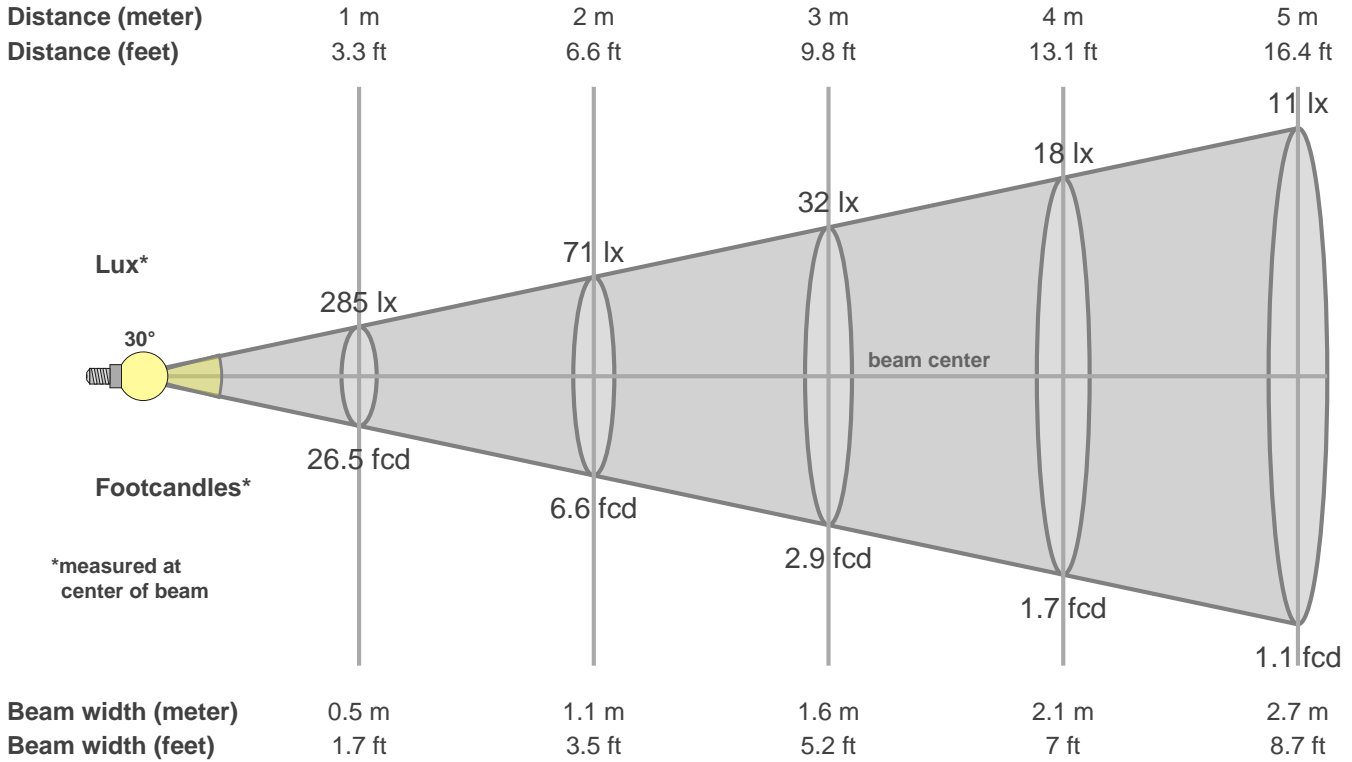
Q1	Q2	Q3	Q4	Q5	Q6	Q7	Q8	Q9	Q10	Q11	Q12	Q13	Q14	Q15
0.00	0.00	0.00	0.00	0.00	0.00	0.00	0.00	0.00	0.00	0.00	0.00	0.00	0.00	0.00

CQS: 0.0

Q1	Q2	Q3	Q4	Q5	Q6	Q7	Q8	Q9	Q10	Q11	Q12	Q13	Q14	Q15
0	0	0	0	0	0	0	0	0	0	0	0	0	0	0

Color parameters

CCT	CRI	CRI R9	TM30 Rf	TM30 Rg	CQS	x	y	u	v	Duv
0 K	0.0	0.0	0.0	0.0	0.0	0.2	0.0	0.2	0.0	0.0000



Intensities in 0° c-plane

0°	2°	4°	6°	8°	10°	12°	14°	16°	18°	20°	22°	24°	26°	28°	30°	32°	34°	36°	38°
285	280	273	257	236	210	184	154	126	102	81	64	50	39	33	27	21	18	16	13
100%	98%	96%	90%	83%	74%	65%	54%	44%	36%	29%	23%	18%	14%	12%	9%	8%	6%	5%	4%

Intensities in 90° c-plane

0°	2°	4°	6°	8°	10°	12°	14°	16°	18°	20°	22°	24°	26°	28°	30°	32°	34°	36°	38°
285	281	272	257	237	212	186	157	130	105	83	67	52	41	34	27	22	20	15	14
100%	99%	96%	90%	83%	75%	65%	55%	46%	37%	29%	24%	18%	15%	12%	9%	8%	7%	5%	5%

Intensities in 180° c-plane

0°	2°	4°	6°	8°	10°	12°	14°	16°	18°	20°	22°	24°	26°	28°	30°	32°	34°	36°	38°
285	280	273	257	236	210	184	154	126	102	81	64	50	39	33	27	21	18	16	13
100%	98%	96%	90%	83%	74%	65%	54%	44%	36%	29%	23%	18%	14%	12%	9%	8%	6%	5%	4%

Intensities in 270° c-plane

0°	2°	4°	6°	8°	10°	12°	14°	16°	18°	20°	22°	24°	26°	28°	30°	32°	34°	36°	38°
285	281	272	257	237	212	186	157	130	105	83	67	52	41	34	27	22	20	15	14
100%	99%	96%	90%	83%	75%	65%	55%	46%	37%	29%	24%	18%	15%	12%	9%	8%	7%	5%	5%

Beam angle 50%	Field angle 10%	Cutoff angle 2.5%	Intensity ratio in 120° cone	Intensity ratio in 90° cone
29.8°	58.4°	93.8°	82.9%	77.0%