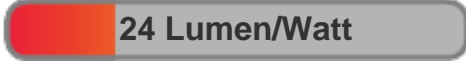




Light efficiency:



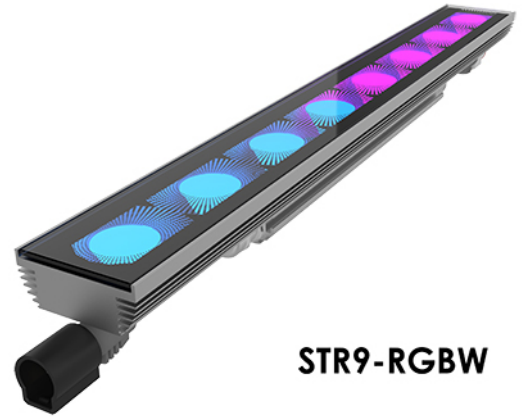
Light quality:



Color temperature:



Output: 434 lm  
Peak: 1128 cd  
Power: 18.3 W  
48.2V @ 0.381A

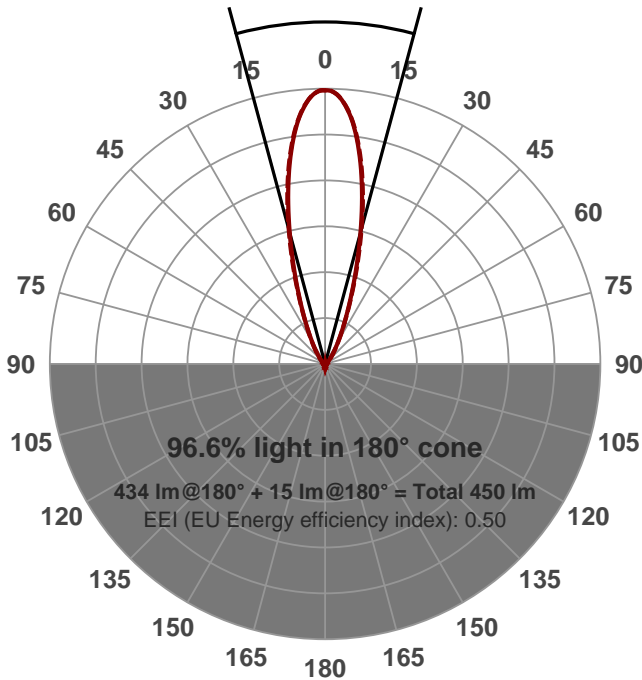


STR9-RGBW

Beam angle

30.2°

(6 PLANES)  
12 C-Planes



Product name:

STR9-300-CM-20W-RGBW-30-ELV-GREEN

Date and time:

2016-09-20 5:39:37 PM

Additional information:

FILM: 250162

LED: RGBW (3000K)

FIXTURE: 1FT MODULE

NORMALIZED: YES

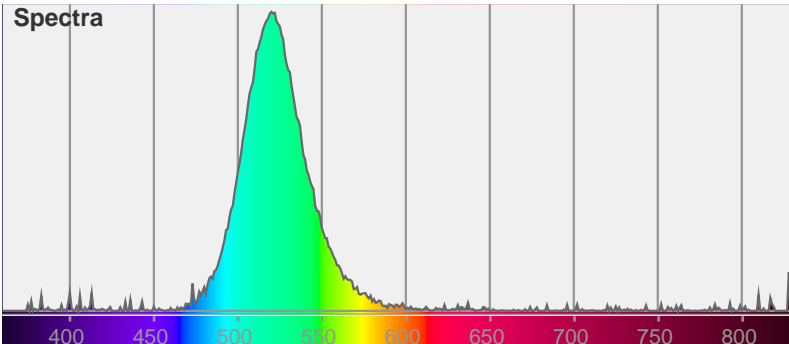
PERFORMED BY: NH

Color

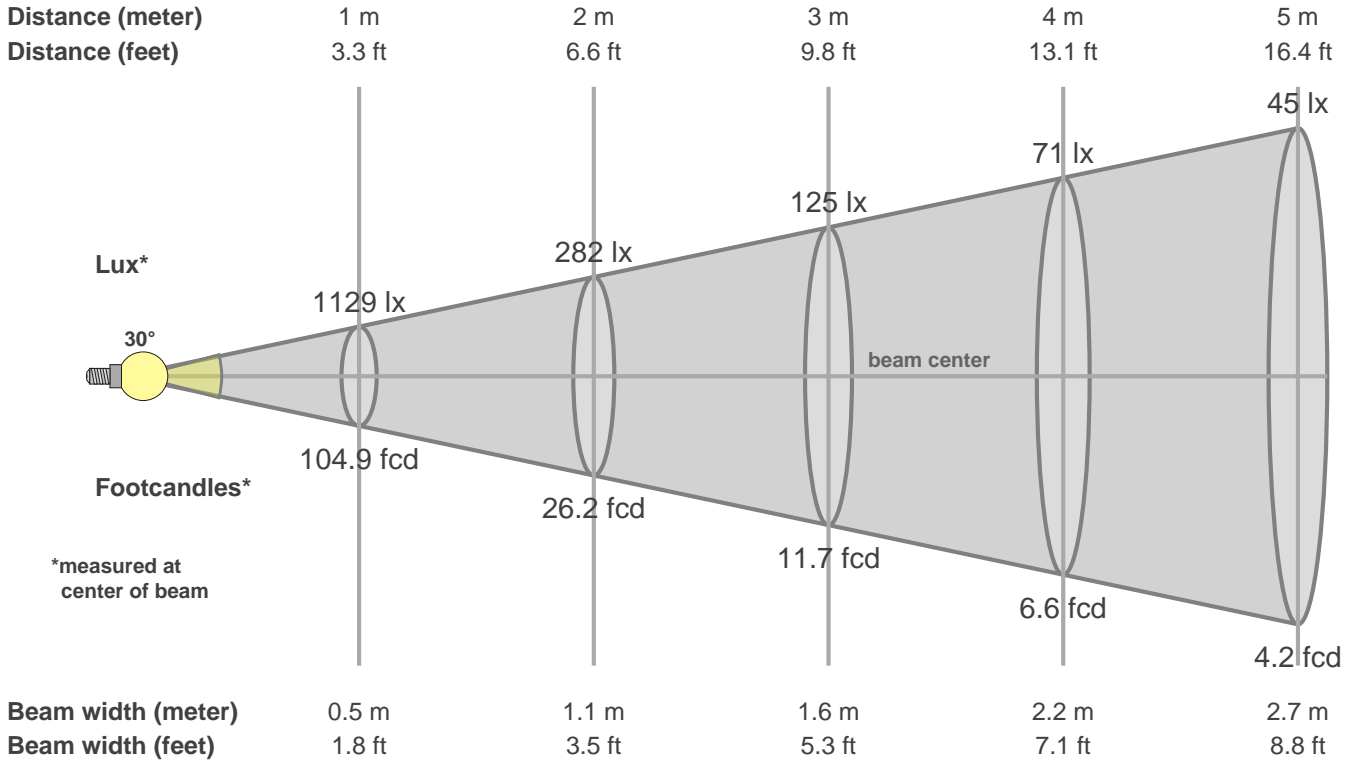


CIE1931  
x: 0.168  
y: 0.697

Spectra







Intensities in 0° c-plane

0°	2°	4°	6°	8°	10°	12°	14°	16°	18°	20°	22°	24°	26°	28°	30°	32°	34°	36°	38°
1129	1116	1079	1019	936	838	730	618	512	416	334	267	213	171	137	110	89	73	59	50
100%	99%	96%	90%	83%	74%	65%	55%	45%	37%	30%	24%	19%	15%	12%	10%	8%	6%	5%	4%

Intensities in 90° c-plane

0°	2°	4°	6°	8°	10°	12°	14°	16°	18°	20°	22°	24°	26°	28°	30°	32°	34°	36°	38°
1129	1116	1080	1021	942	848	744	636	527	429	343	273	216	173	140	113	93	76	63	53
100%	99%	96%	90%	83%	75%	66%	56%	47%	38%	30%	24%	19%	15%	12%	10%	8%	7%	6%	5%

Intensities in 180° c-plane

0°	2°	4°	6°	8°	10°	12°	14°	16°	18°	20°	22°	24°	26°	28°	30°	32°	34°	36°	38°
1129	1116	1079	1019	936	838	730	618	512	416	334	267	213	171	137	110	89	73	59	50
100%	99%	96%	90%	83%	74%	65%	55%	45%	37%	30%	24%	19%	15%	12%	10%	8%	6%	5%	4%

Intensities in 270° c-plane

0°	2°	4°	6°	8°	10°	12°	14°	16°	18°	20°	22°	24°	26°	28°	30°	32°	34°	36°	38°
1129	1116	1080	1021	942	848	744	636	527	429	343	273	216	173	140	113	93	76	63	53
100%	99%	96%	90%	83%	75%	66%	56%	47%	38%	30%	24%	19%	15%	12%	10%	8%	7%	6%	5%

Beam angle 50%	Field angle 10%	Cutoff angle 2.5%	Intensity ratio in 120° cone	Intensity ratio in 90° cone
30.2°	59.8°	89.6°	92.9%	87.8%