



Light efficiency:



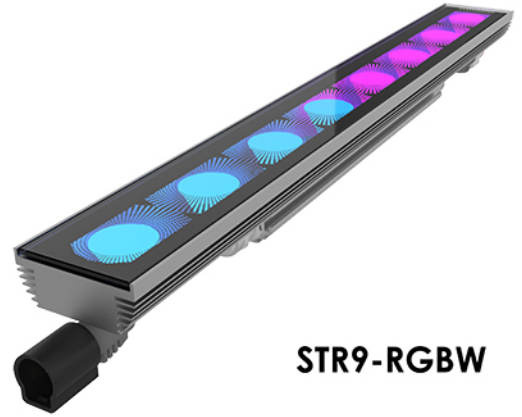
Light quality:



Color temperature:



Output: 110 lm  
Peak: 92.8 cd  
Power: 16.4 W  
48.2V @ 0.340A

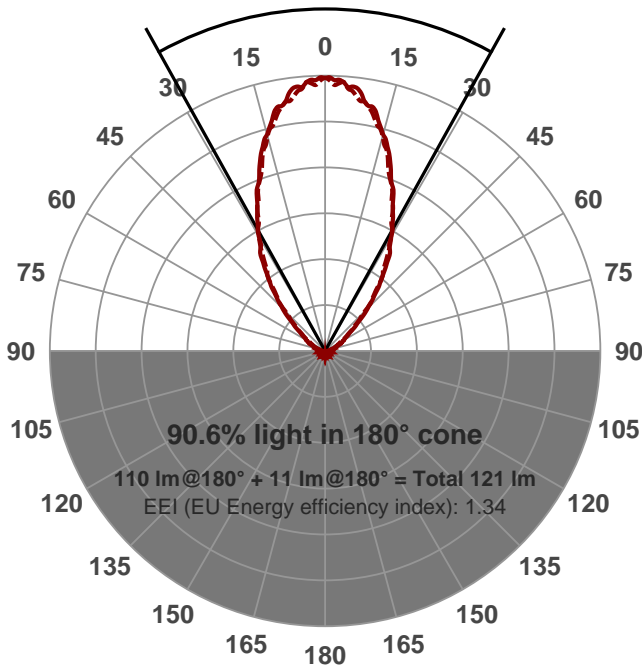


STR9-RGBW

Beam angle

58.1°

(6 PLANES)  
12 C-Planes



Product name:

STR9-300-CM-20W-RGBW-60-ELV-BLUE

Date and time:

2016-09-21 11:41:16 AM

Additional information:

FILM: 250161

LED: RGBW (3000K)

FIXTURE: 1FT MODULE

NORMALIZED: YES

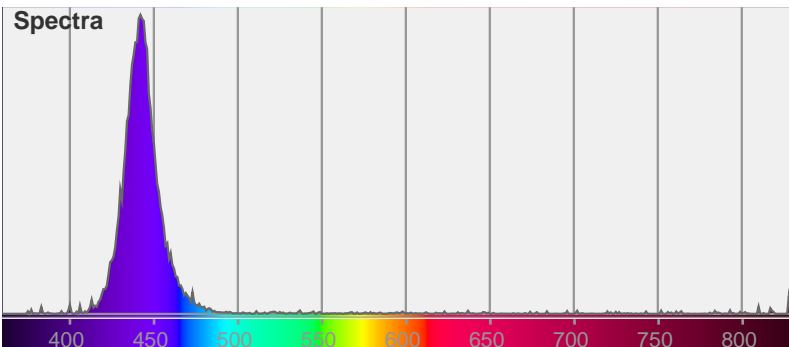
PERFORMED BY: NH

Color

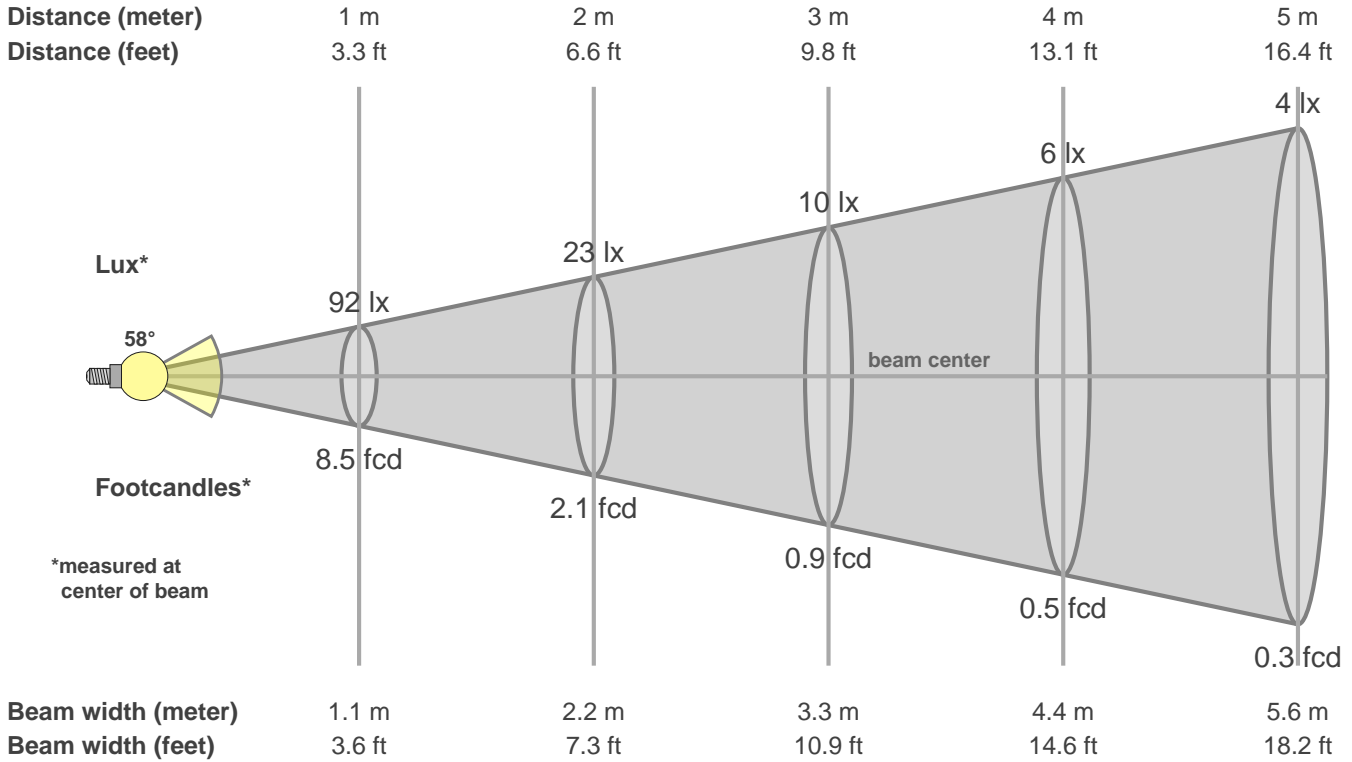


CIE1931  
x: 0.163  
y: 0.021

Spectra







**Intensities in 0° c-plane**

0°	5°	10°	15°	20°	25°	30°	35°	40°	45°	50°	55°	60°	65°	70°	75°	80°	85°	90°	95°
91.6	88.9	83.5	75.2	64.6	53.7	44.6	36.3	28.0	20.2	13.8	9.6	7.1	5.9	3.8	3.0	2.3	2.0	2.0	0.0
100%	97%	91%	82%	70%	59%	49%	40%	31%	22%	15%	10%	8%	6%	4%	3%	2%	2%	2%	0%

**Intensities in 90° c-plane**

0°	5°	10°	15°	20°	25°	30°	35°	40°	45°	50°	55°	60°	65°	70°	75°	80°	85°	90°	95°
91.6	88.4	83.2	74.6	62.9	53.9	44.5	34.6	26.5	18.9	12.8	9.0	6.0	4.8	3.5	2.5	2.5	2.0	2.0	0.0
100%	96%	91%	81%	69%	59%	49%	38%	29%	21%	14%	10%	7%	5%	4%	3%	3%	2%	2%	0%

**Intensities in 180° c-plane**

0°	5°	10°	15°	20°	25°	30°	35°	40°	45°	50°	55°	60°	65°	70°	75°	80°	85°	90°	95°
91.6	88.9	83.5	75.2	64.6	53.7	44.6	36.3	28.0	20.2	13.8	9.6	7.1	5.9	3.8	3.0	2.3	2.0	2.0	0.0
100%	97%	91%	82%	70%	59%	49%	40%	31%	22%	15%	10%	8%	6%	4%	3%	2%	2%	2%	0%

**Intensities in 270° c-plane**

0°	5°	10°	15°	20°	25°	30°	35°	40°	45°	50°	55°	60°	65°	70°	75°	80°	85°	90°	95°
91.6	88.4	83.2	74.6	62.9	53.9	44.5	34.6	26.5	18.9	12.8	9.0	6.0	4.8	3.5	2.5	2.5	2.0	2.0	0.0
100%	96%	91%	81%	69%	59%	49%	38%	29%	21%	14%	10%	7%	5%	4%	3%	3%	2%	2%	0%

Beam angle 50%	Field angle 10%	Cutoff angle 2.5%	Intensity ratio in 120° cone	Intensity ratio in 90° cone
58.1°	110.0°	215.5°	82.0%	69.8%