



Light efficiency:



Light quality:



Color temperature:



Output: 109 lm
Peak: 63.6 cd
Power: 16.4 W
48.2V @ 0.340A

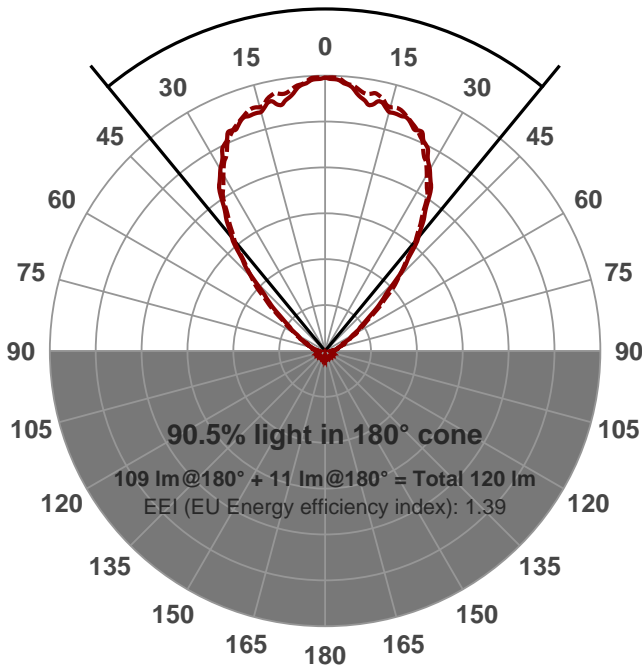


STR9-RGBW

Beam angle

78.8°

(6 PLANES)
12 C-Planes



Product name:

STR9-300-CM-20W-RGBW-80-ELV-BLUE

Date and time:

2016-09-21 11:53:49 AM

Additional information:

FILM: 250164

LED: RGBW (3000K)

FIXTURE: 1FT MODULE

NORMALIZED: YES

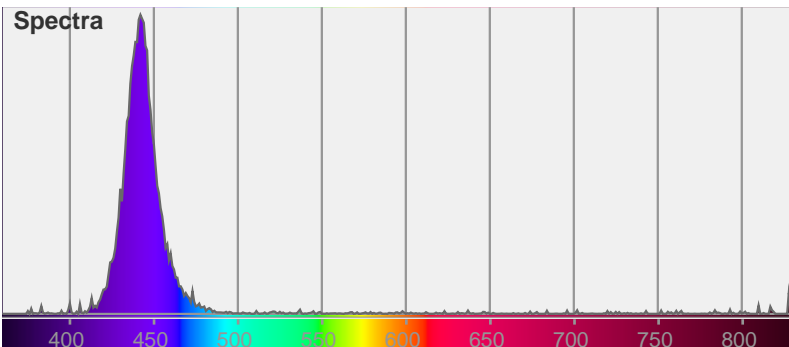
PERFORMED BY: NH

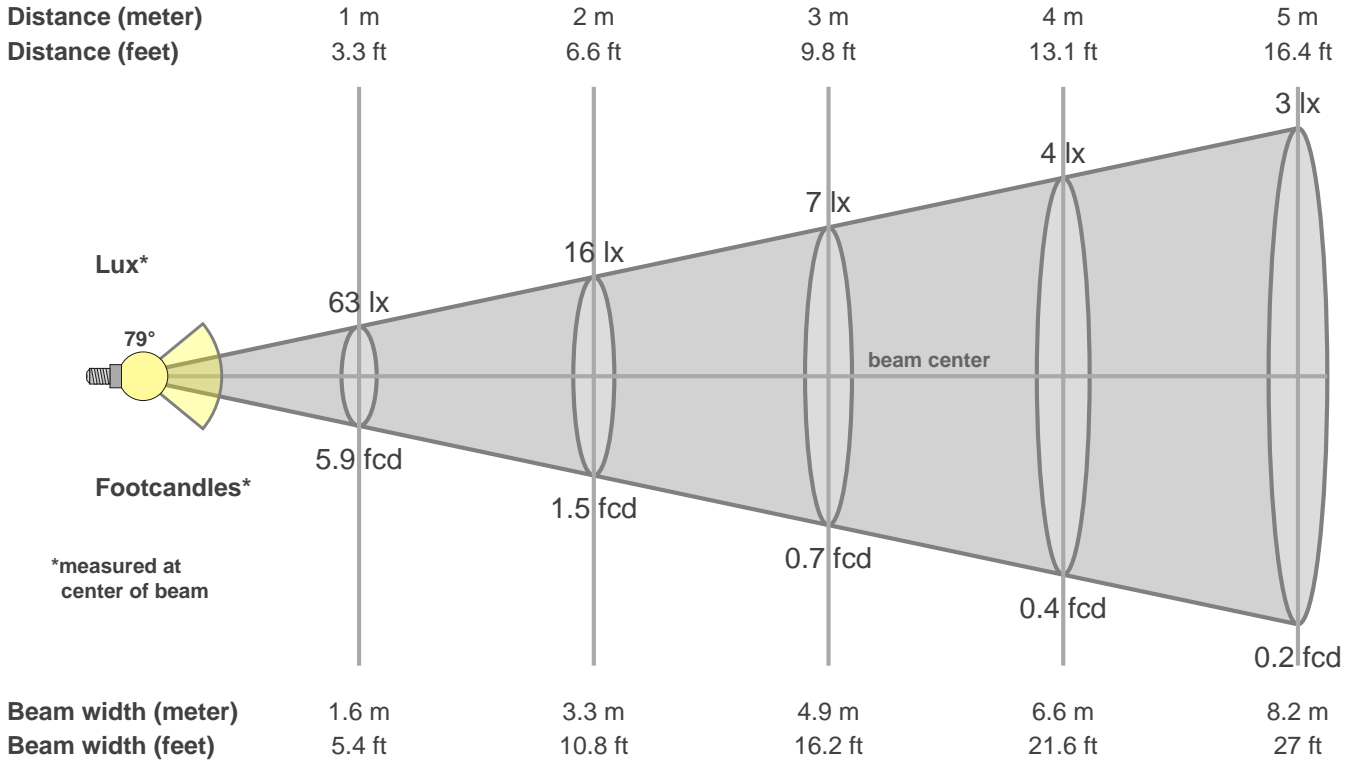
Color



CIE1931
x: 0.163
y: 0.021

Spectra





Intensities in 0° c-plane

0°	5°	10°	15°	20°	25°	30°	35°	40°	45°	50°	55°	60°	65°	70°	75°	80°	85°	90°	95°
63.3	61.9	57.9	57.3	56.9	53.8	48.5	40.9	33.2	23.2	15.9	10.5	7.4	5.6	4.6	3.4	2.8	1.8	1.7	0.0
100%	98%	91%	91%	90%	85%	77%	65%	52%	37%	25%	17%	12%	9%	7%	5%	4%	3%	3%	0%

Intensities in 90° c-plane

0°	5°	10°	15°	20°	25°	30°	35°	40°	45°	50°	55°	60°	65°	70°	75°	80°	85°	90°	95°
63.3	62.0	60.5	58.5	57.1	53.5	47.1	39.9	32.2	24.1	17.3	11.5	8.4	5.9	4.5	3.4	2.5	1.9	1.6	0.0
100%	98%	96%	92%	90%	84%	74%	63%	51%	38%	27%	18%	13%	9%	7%	5%	4%	3%	3%	0%

Intensities in 180° c-plane

0°	5°	10°	15°	20°	25°	30°	35°	40°	45°	50°	55°	60°	65°	70°	75°	80°	85°	90°	95°
63.3	61.9	57.9	57.3	56.9	53.8	48.5	40.9	33.2	23.2	15.9	10.5	7.4	5.6	4.6	3.4	2.8	1.8	1.7	0.0
100%	98%	91%	91%	90%	85%	77%	65%	52%	37%	25%	17%	12%	9%	7%	5%	4%	3%	3%	0%

Intensities in 270° c-plane

0°	5°	10°	15°	20°	25°	30°	35°	40°	45°	50°	55°	60°	65°	70°	75°	80°	85°	90°	95°
63.3	62.0	60.5	58.5	57.1	53.5	47.1	39.9	32.2	24.1	17.3	11.5	8.4	5.9	4.5	3.4	2.5	1.9	1.6	0.0
100%	98%	96%	92%	90%	84%	74%	63%	51%	38%	27%	18%	13%	9%	7%	5%	4%	3%	3%	0%

Beam angle 50%	Field angle 10%	Cutoff angle 2.5%	Intensity ratio in 120° cone	Intensity ratio in 90° cone
78.8°	125.6°	359.5°	81.1%	66.7%