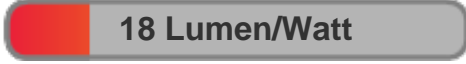




Light efficiency:



Light quality:



Color temperature:

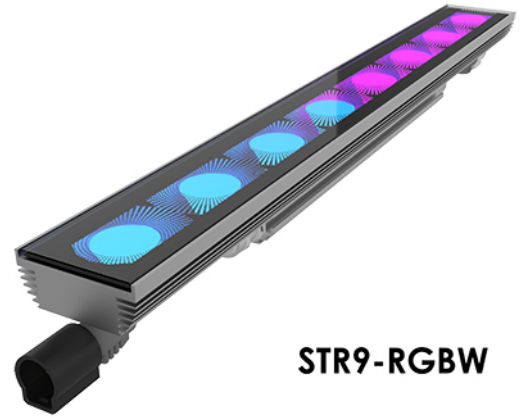


Output: 254 lm

Peak: 152 cd

Power: 13.9 W

48.2V @ 0.289A

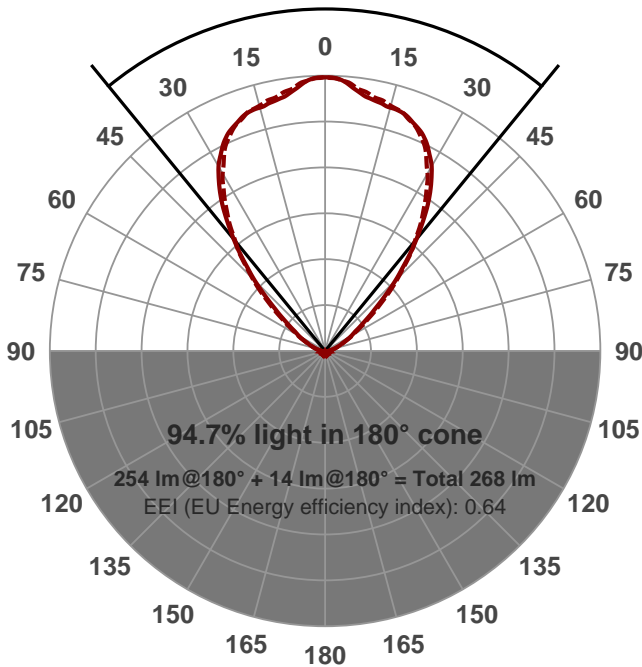


STR9-RGBW

Beam angle

78.6°

(6 PLANES)
12 C-Planes



Product name:

STR9-300-CM-20W-RGBW-80-ELV-RED

Date and time:

2016-09-21 9:31:31 AM

Additional information:

FILM: 250164

LED: RGBW (3000K)

FIXTURE: 1FT MODULE

NORMALIZED: YES

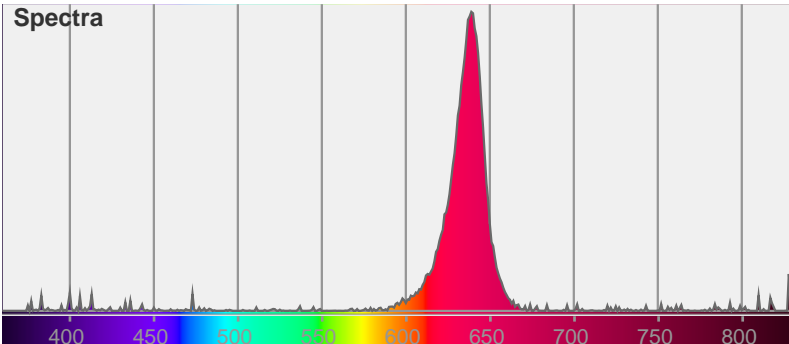
PERFORMED BY: NH

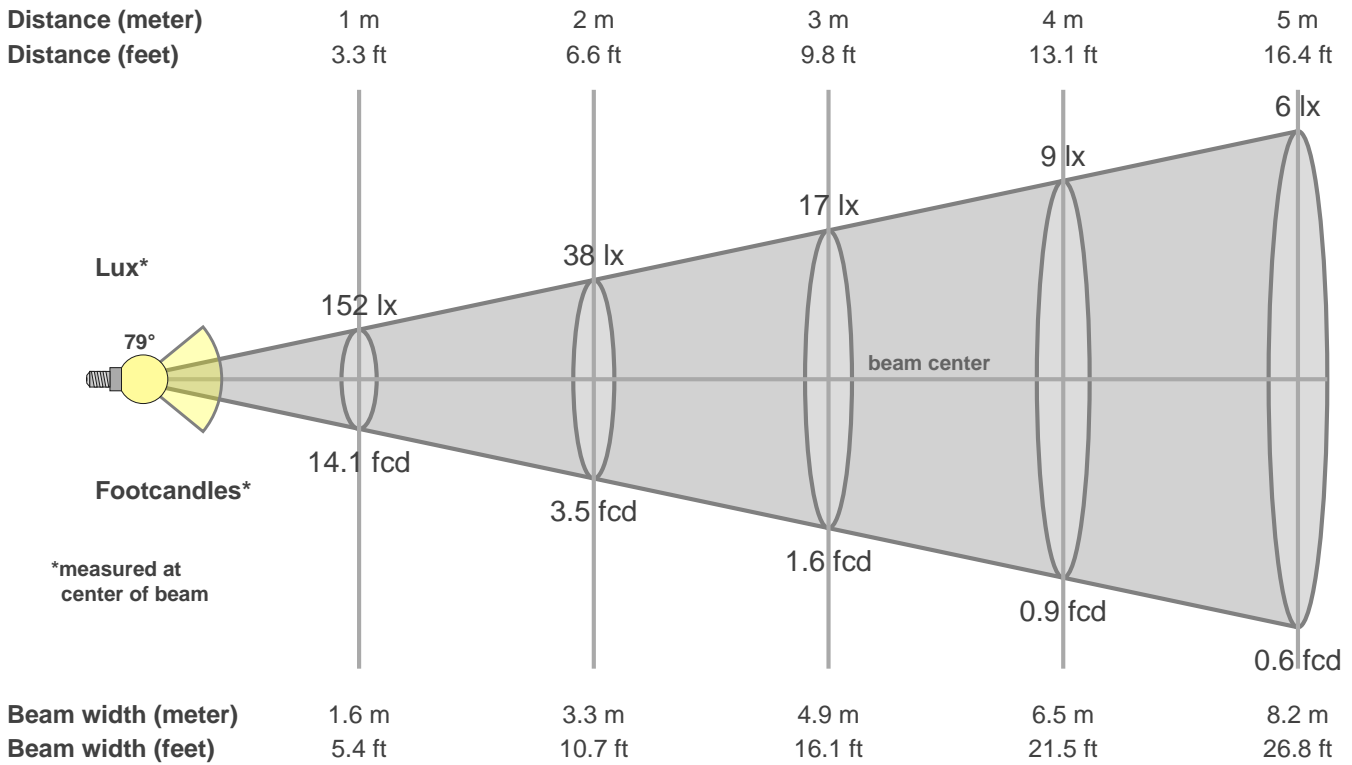
Color



CIE1931
x: 0.682
y: 0.293

Spectra





Intensities in 0° c-plane

0°	5°	10°	15°	20°	25°	30°	35°	40°	45°	50°	55°	60°	65°	70°	75°	80°	85°	90°	95°
152	148	142	140	137	130	118	99	77	55	36	24	17	12	8	6	4	3	3	0
100%	98%	94%	92%	90%	86%	78%	66%	51%	36%	24%	16%	11%	8%	5%	4%	2%	2%	2%	0%

Intensities in 90° c-plane

0°	5°	10°	15°	20°	25°	30°	35°	40°	45°	50°	55°	60°	65°	70°	75°	80°	85°	90°	95°
152	150	144	141	136	128	114	95	76	57	39	26	18	12	8	6	4	3	2	0
100%	98%	95%	93%	90%	85%	75%	63%	50%	38%	26%	17%	12%	8%	6%	4%	3%	2%	1%	0%

Intensities in 180° c-plane

0°	5°	10°	15°	20°	25°	30°	35°	40°	45°	50°	55°	60°	65°	70°	75°	80°	85°	90°	95°
152	148	142	140	137	130	118	99	77	55	36	24	17	12	8	6	4	3	3	0
100%	98%	94%	92%	90%	86%	78%	66%	51%	36%	24%	16%	11%	8%	5%	4%	2%	2%	2%	0%

Intensities in 270° c-plane

0°	5°	10°	15°	20°	25°	30°	35°	40°	45°	50°	55°	60°	65°	70°	75°	80°	85°	90°	95°
152	150	144	141	136	128	114	95	76	57	39	26	18	12	8	6	4	3	2	0
100%	98%	95%	93%	90%	85%	75%	63%	50%	38%	26%	17%	12%	8%	6%	4%	3%	2%	1%	0%

Beam angle 50%	Field angle 10%	Cutoff angle 2.5%	Intensity ratio in 120° cone	Intensity ratio in 90° cone
78.6°	122.0°	160.5°	86.9%	72.2%